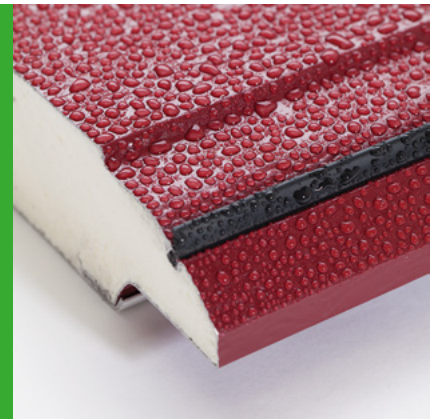




# Воротные СИСТЕМЫ

**Гаражные ворота TRENД**  
**Промышленные ворота**  
**PROTRENД, ALUTRENД**  
Каталог комплектующих





# Содержание

---

1. Гаражные ворота Trend, промышленные ворота ProTrend, AluTrend.....	11
1.1 Конструкция секционных ворот.....	13
1.2 Полотно ворот.....	23
1.3 Встроенная калитка .....	87
1.4 Системы направляющих и подвеса .....	131
1.5 Система балансировки.....	179
2. Дополнительная комплектация .....	225
3. Метизы.....	239
4. Ремонтные узлы .....	247

12.2022 © ALUTECH

В связи с постоянным совершенствованием конструкции секционных ворот компания «АЛЮТЕХ» оставляет за собой право на внесение изменений в данный документ. Содержание данного документа не может являться основой для юридических претензий



Артикул ..... стр.

4,8×9,5SDX	243
6,3×16S	243
6,3×25SDR	243
8×25S	243
8×60STX	244
8×80S	243
10×50D	244
10×95A	245
105610	232
C0502G	231
ШВВП 2×0,5	123
AC-1	189
AC-5/4	190
B133	155
B134	154
B-180TL	159
B-180TLL	160
B-180TLR	160
B-180TNL	159
B-180TNR	159
B-180TR	159
B0300	166
B-700ATS	50
B802	168
B-1015	68
B-3500	166
B-3501	168
B-3509	167
B-3600TH	149
BB0401	212
BB4011	213
BR0400	212
BS11	98
C-9/52	76
C-10/53	74
C-36/41	126
C-36/41M	126
C-152	199
CB132-450	153
CB132-500	153
CD010N	201
CD011V	204
CD011V-D	204
CD012N	201
CD018N	201
CD018V	204
CD018V-5/4	204
CD018V-D	204
CD032N	202
CD032N-5/4	202
CD032N-D	202
CD054H	202
CD120H	203
CD164H	203
CD164H-5/4	203
CD164H-D	203
CH0501	231
CH-5013	231
CP113-80	162
CP113-100	162
CP113-120	162
CP113-130	162
CP113-150	162
CP113-180	162
CP-133	163
CP0506	228
CP813-100	162
CP813-120	162
CP813-150	162

Артикул ..... стр.

CP813-180	162
CP861	163
CP864	163
CP-3502L	157
CP-3502R	157
CP-3503LL	158
CP-3503LR	158
CP-3504NL	157
CP-3504NR	157
CP-3520H	161
CP-3521H	161
CR-3-250-P	205
CR-4-H	205
CR-5-H	205
CR-6-250	205
CRP-70	208
CRS1-3	206
CRS1-4	206
CRS1-5	206
CRS1-6	206
CRS2-3	206
CRS2-4	206
CRS2-5	206
CRS2-6	206
CRT-3	206
CRT-5	206
CRT-6	206
CT40.1.01-425-2625	34
CT40.1.01-425-3025	34
CT40.1.01-425-3525	34
CT40.1.01-425-4025	34
CT40.1.01-425-4526	34
CT40.1.01-425-5040	34
CT40.1.01-450-2625	34
CT40.1.01-450-3025	34
CT40.1.01-450-3525	34
CT40.1.01-450-4025	34
CT40.1.01-450-4526	34
CT40.1.01-450-5040	34
CT40.1.01-475-2625	35
CT40.1.01-475-3025	35
CT40.1.01-475-3525	35
CT40.1.01-475-4025	35
CT40.1.01-475-4526	35
CT40.1.01-475-5040	35
CT40.1.01-500-2625	35
CT40.1.01-500-3025	35
CT40.1.01-500-3525	35
CT40.1.01-500-4025	35
CT40.1.01-500-4526	35
CT40.1.01-500-5040	35
CT40.1.01-525-2625	36
CT40.1.01-525-3025	36
CT40.1.01-525-3525	36
CT40.1.01-525-4025	36
CT40.1.01-525-4526	36
CT40.1.01-525-5040	36
CT40.1.02-425-2625	34
CT40.1.02-425-3025	34
CT40.1.02-425-3525	34
CT40.1.02-425-4025	34
CT40.1.02-425-4526	34
CT40.1.02-425-5040	34
CT40.1.02-450-2625	34
CT40.1.02-450-3025	34
CT40.1.02-450-3525	34
CT40.1.02-450-4025	34
CT40.1.02-450-4526	34
CT40.1.02-450-5040	34

Артикул ..... стр.

CT40.1.02-475-2625	35
CT40.1.02-475-3025	35
CT40.1.02-475-3525	35
CT40.1.02-475-4025	35
CT40.1.02-475-4526	35
CT40.1.02-475-5040	35
CT40.1.02-500-2625	35
CT40.1.02-500-3025	35
CT40.1.02-500-3525	35
CT40.1.02-500-4025	35
CT40.1.02-500-4526	35
CT40.1.02-500-5040	35
CT40.1.02-525-2625	36
CT40.1.02-525-3025	36
CT40.1.02-525-3525	36
CT40.1.02-525-4025	36
CT40.1.02-525-4526	36
CT40.1.02-525-5040	36
CT40.1.05-425-2625	37
CT40.1.05-425-3025	37
CT40.1.05-425-3525	37
CT40.1.05-425-4025	37
CT40.1.05-425-4526	37
CT40.1.05-425-5040	37
CT40.1.05-450-2625	37
CT40.1.05-450-3025	37
CT40.1.05-450-3525	37
CT40.1.05-450-4025	37
CT40.1.05-450-4526	37
CT40.1.05-450-5040	37
CT40.1.05-475-2625	38
CT40.1.05-475-3025	38
CT40.1.05-475-3525	38
CT40.1.05-475-4025	38
CT40.1.05-475-4526	38
CT40.1.05-500-2625	38
CT40.1.05-500-3025	38
CT40.1.05-500-3525	38
CT40.1.05-500-4025	38
CT40.1.05-500-4526	38
CT40.1.05-500-5040	38
CT40.1.05-525-2625	39
CT40.1.05-525-3025	39
CT40.1.05-525-3525	39
CT40.1.05-525-4025	39
CT40.1.05-525-4526	39
CT40.1.05-525-5040	39
CT40.1.06-425-2625	37
CT40.1.06-425-3025	37
CT40.1.06-425-3525	37
CT40.1.06-425-4025	37
CT40.1.06-425-4526	37
CT40.1.06-425-5040	37
CT40.1.06-450-2625	37
CT40.1.06-450-3025	37
CT40.1.06-450-3525	37
CT40.1.06-450-4025	37
CT40.1.06-450-4526	37
CT40.1.06-450-5040	37
CT40.1.06-475-2625	38
CT40.1.06-475-3025	38
CT40.1.06-475-3525	38
CT40.1.06-475-4025	38
CT40.1.06-475-4526	38
CT40.1.06-475-5040	38
CT40.1.06-500-2625	38
CT40.1.06-500-3025	38
CT40.1.06-500-3525	38

Артикул..... стр.

CT40.1.06-500-4025	38
CT40.1.06-500-4526	38
CT40.1.06-500-5040	38
CT40.1.06-525-2625	39
CT40.1.06-525-3025	39
CT40.1.06-525-3525	39
CT40.1.06-525-4025	39
CT40.1.06-525-4526	39
CT40.1.06-525-5040	39
DH-4020	198
DIC043BR	80
DIC043WH	80
DIS043BR-3	80
DIS043BR-4	80
DIS043WH-3	80
DIS043WH-4	80
DP2020	122
DP2021	122
DP2022	122
DR-12-05	227
DR-12-07	227
DR-12-10	227
DR-CD010	223
DR-CD012	223
EC-40.425L	41
EC-40.425R	41
EC-40.450DL	41
EC-40.450DR	41
EC-40.450L	41
EC-40.450R	41
EC-40.475L	41
EC-40.475R	41
EC-40.500DL	41
EC-40.500DR	41
EC-40.500L	41
EC-40.500R	41
EC-40.525DL	41
EC-40.525DR	41
EC-40.525L	41
EC-40.525R	41
EC-40.625DL	41
EC-40.625DR	41
EC-40.625L	41
EC-40.625R	41
FLGU.400.1008	130
FLGU.400.1009	130
FPB5007	65
FPB5010	66
FPB-5012	66
FPP5008	66
FRK07	47
FWO100/145B-40	234
FWO100C	236
FWO100F	235
FWO100H	236
FWO145C	236
FWO145F	235
FWO145H	237
GG-58	47
GLG-1T	254
GLG-2T	254
GLG-3T	250
GLG-4T	250
GLG-5T	274
GLG-6T	274
GLG-7T	268
GLG-8T	275
GLG-9T	275
GLG-10T	269

Артикул..... стр.

GSH-1T	309
GSH-2T	309
GSH-3T	309
GSH-4	310
GSH-5	310
GSH-6	310
GSH-7	310
GSH-8	310
GSH-9	310
GSH-9T	309
GSH-10	310
GSH-12	312
GSH-13	312
GSH-14	312
GSH-15	312
GSH-16	312
GSH-17	311
GSH-18	311
GSH-19	313
GSH-20	313
GSH-21	313
GSH-22	313
GSH-23	313
GSH-24	313
GSH-25	313
GSH-27	311
GSH-28	311
GSH-30	314
GSH-31	314
GSH-32	314
GSH-33	314
GTS-1	289
HG-40.008	71
HGI006.002.01	70
HGI006.002.02	70
HGI006.002.03	70
HGI006.002.04	70
HGI006.002.09	70
HGI006.002.10	70
HGI006.002.12	70
HGI006.002.15	70
HGI006.002.16	70
HGI006.002.17	70
HGI006.002.18	70
HGI-40.006	70
HGI-40.007	71
HKG-4T	291
HKG-5T	291
HKG-6T	305
HKG-7T	306
HKG-8T	306
HKG-9T	291
HKG-10T	291
HKG-16T	306
HKG-17T	306
HKG-18T	292
HKG-19T	292
HKG-20T	307
HKG-21T	307
HKG-22T	292
HKG-23T	292
HKI-10	293
HKI-11	293
HKI-12	308
HKI-12T	306
HKI-13	308
HKI-13T	306
HKI-14	293
HKI-15	293

Артикул..... стр.

HKI-16	293
HKI-17	293
HKI-18	308
HKI-19	308
HKI-20	294
HKI-21	294
HKI-22	294
HKI-23	294
HKI-24	308
HKI-25	308
HKI-26	294
HKI-27	294
HKI-28	308
HKI-29	308
HKI-30	294
HKI-31	294
HKI-32	308
HKI-33	308
HKI-34	295
HKI-35	295
HKI-36	295
HKI-37	295
HKI-38	308
HKI-39	308
HKI-40	295
HKI-41	295
HKI-42	308
HKI-43	308
HKI-48	296
HKI-49	296
HKI-50	296
HKI-51	296
HKI-52	296
HKI-53	296
HKI-54	297
HKI-55	297
HKI-56	297
HKI-57	297
HKI-58	297
HKI-59	297
HKI-60	297
HKI-61	297
HKI-62	298
HKI-63	298
HKI-64	308
HKI-65	308
HKI-66	298
HKI-67	298
HKI-68	298
HKI-69	298
HKI-70	308
HKI-71	308
HKI-72	299
HKI-73	299
HKI-74	299
HKI-75	299
HKI-76	308
HKI-77	308
HKI-78	299
HKI-79	299
HKI-80	308
HKI-81	308
HKI-82	299
HKI-83	299
HKI-84	308
HKI-85	308
HKI-86	300
HKI-87	300
HKI-88	300

## Артикул ..... стр.

HKI-89	300
HKI-90	308
HKI-91	308
HKI-92	300
HKI-93	300
HKI-94	308
HKI-95	308
HKI-100	308
HKI-101	308
HKI-102	308
HKI-103	308
HKI-104	308
HKI-105	308
HKI-106	308
HKI-107	308
HKI-108	301
HKI-109	301
HKI-110	301
HKI-111	301
HKI-112	301
HKI-113	301
HKI-114	302
HKI-115	302
HKI-116	302
HKI-117	302
HKI-118	302
HKI-119	302
HKI-120	305
HKI-121	308
HKI-122	308
HKI-123	303
HKI-124	303
HKI-125	303
HKI-126	303
HKI-127	303
HKI-128	303
HKI-129	304
HKI-130	304
HKI-131	304
HKI-132	304
HKI-133	304
HKI-134	304
HKI-135	308
HKI-136	308
HKU001	233
HKU002	233
I0500	227
IB-86M	211
IB-111M	211
IB-127M	211
IB-152-5/4	211
IB-152M	211
IB-4508	215
IB-4509	215
IBB-4501	209
IBB-4502	209
IBB-4510	210
IH-200	60
IH-201	60
IP-95N-5/4-3800	197
IP-95N-3800	197
IS85-2550	141
IS85-3060	141
IS85-3550	141
IS85-4100	141
IS85-4580	141
IS85-6000	141
IS85-7000	141
IS85-8000	141

## Артикул ..... стр.

LD-3508L	136
LD-3508R	136
LHT-3005	178
LP-3009H	72
LP-3514	169
LP-3515	169
LPA-1T	276
LPA-3T	277
LPA-5T	279
LPA-6T	280
LPA-7T	281
LPA-8T	282
LPA-15T	276
LPA-17T	277
LPA-19T	279
LPA-20T	280
LPA-21T	281
LPA-22T	282
LPA-27T	270
LPA-28T	271
LPA-29T	272
LPA-31T	278
LPA-32T	283
LPA-33T	284
LPA-34T	285
LPA-35T	286
LPA-36T	287
LPA-37T	288
LPA-41T	278
LPA-42T	283
LPA-43T	284
LPA-44T	285
LPA-45T	286
LPA-46T	287
LPA-47T	288
LPF-1T	251
LPF-2T	252
LPF-3T	252
LPU-1T	256
LPU-5T	258
LPU-6T	259
LPU-7T	260
LPU-8T	261
LPU-15T	256
LPU-19T	258
LPU-20T	259
LPU-21T	260
LPU-22T	261
LPU-27T	251
LPU-28T	252
LPU-29T	252
LPU-31T	257
LPU-32T	262
LPU-34T	263
LPU-35T	264
LPU-36T	265
LPU-37T	266
LPU-41T	257
LPU-42T	262
LPU-44T	265
LPU-45T	264
LPU-46T	263
LPU-47T	266
LPU-50T	255
LPU-51T	255
LS-1017	85
M5×22SDX	244
M6×12BP	241
M6×12BKL	241

## Артикул ..... стр.

M6×12BKL	242
M6×16BKL	242
M6×16BP	241
M6N	242
M8×12B	241
M8×16BKL	241
M8×25BKL	242
M8N	242
M10×55SCOL	244
MS-550N	164
MV350Rs-W	84
MV350s-B	84
MV350s-W	84
MW40.1.01-500	28
MW40.1.01-625	28
MW40.1.02-500	28
MW40.1.02-625	28
MW40.1.03-500	28
MW40.1.03-625	28
MW40.1.04-500	28
MW40.1.04-625	28
MW40.1.09-500	28
MW40.1.09-625	28
MW40.1.10-500	28
MW40.1.10-625	28
MW40.1.12-500	28
MW40.1.12-625	28
MW40.1.14-500	28
MW40.1.14-625	28
MW40.1.16-500	28
MW40.1.16-625	28
MW40.1.20-500	28
MW40.1.20-625	28
OSS4013	165
P19L	68
P19R	68
P1012	83
P-1501	82
P-1502	82
PB-3007IL	207
PB-3007IR	207
PB-3008GL	207
PB-3008GR	207
PC-4506	185
PED-2040L	128
PED-2040R	128
PED-2041-PC	127
PED-2042	127
PED-2044-PC	129
PED-2045	130
PED-2503	124
PED-2504	129
PRD85.01	65
PRD98	46
PRD112	108
PRD113	107
PRD120	45
PRD121	45
PRD122	44
PRD123	45
PRD124	44
PRD125	44
PRD126	46
PRG01	137
PRG01LFL	138
PRG01LFR	138
PRG01LL	137
PRG01LR	137
PRG03	143

Артикул ..... стр.

PRG05S	139
PRG06	175
PRG07	151
PRG07N	150
PRG09	175
PRG-12	118
PRG-13	118
PRG-16	120
PRG-17	120
PRG-19	67
PRG-20	67
PRG-30L	136
PRG-30R	136
PRG-31	142
PRG-32	142
PRG-33	148
PRG-35	139
PRG-36	64
PRG-37	63
PRG-38	63
PRG110-8020	68
PRP01	46
R-120-20-GL	62
R-120-20-GR	62
R-120-35-GL	62
R-120-35-GR	62
R-130-12-G	61
R-205-12-G	61
RBI-40.100L	56
RBI-40.100R	56
RBI-40.110DL	55
RBI-40.110DR	55
RBI-40.110L	55
RBI-40.110R	55
RBI-40.120DL	57
RBI-40.120DR	57
RBI-40.120L	56
RBI-40.120R	56
RBI-40.123	52
RBI-40.124	52
RBI-40.126L	49
RBI-40.126R	49
RBI-40.127	49
RBI-40.200L	57
RBI-40.200R	57
RBI-40.900L	50
RBI-40.900R	50
RBT-100L	53
RBT-100R	53
RBT-110L	53
RBT-110R	53
RBT-120L	54
RBT-120R	54
RBT-200L	51
RBT-200R	51
RBT-210L	51
RBT-210R	51
RBT-310L	48
RBT-310R	48
RBT-320L	48
RBT-320R	48
RC0505	228
RE101FL-5	145
RE101FL-10	145
RE101FL-15	145
RE101FL-20	145
RE101FL-25	145
RE101FL-30	145
RE101FL-35	145

Артикул ..... стр.

RE101FL-40	145
RE101FL-45	145
RE101FR-5	145
RE101FR-10	145
RE101FR-15	145
RE101FR-20	145
RE101FR-25	145
RE101FR-30	145
RE101FR-35	145
RE101FR-40	145
RE101FR-45	145
RE101L	144
RE101R	144
RE-801T	144
RK-4500	73
RK-6000	73
RL40.0.01-450	32
RL40.0.01-500	32
RL40.0.01-525	32
RL40.0.05-450	32
RL40.0.05-500	32
RL40.0.06-450	32
RL40.0.06-500	32
RL40.0.07-450	32
RL40.0.07-500	32
RL40.0.14-450	32
RL40.0.14-500	32
RL40.0.16-450	32
RL40.0.16-500	32
RL40.0.16-525	32
RL40.1.01-450	32
RL40.1.01-500	32
RL40.1.01-525	32
RL40.1.02-450	32
RL40.1.02-500	32
RLG003.226.01	75
RLG003.226.02	75
RLG003.226.03	75
RLG003.226.04	75
RLG003.226.09	75
RLG003.226.10	75
RLG003.226.12	75
RLG003.226.15	75
RLG003.226.16	75
RLG003.226.17	75
RLG003.226.18	75
RLI0103	76
RLT-403	74
RM40.0.01-450	31
RM40.0.01-500	31
RM40.0.01-525	31
RM40.0.05-450	31
RM40.0.05-500	31
RM40.0.06-450	31
RM40.0.06-500	31
RM40.0.07-450	31
RM40.0.07-500	31
RM40.0.16-450	31
RM40.0.16-500	31
RM40.0.16-525	31
RM40.1.01-450	31
RM40.1.01-500	31
RM40.1.01-525	31
RM40.1.02-450	31
RM40.1.02-500	31
RM0104-4500	72
RP-40.123	58
RP-40.123D	58
RP-40.125	59

Артикул ..... стр.

RP-40.125D	59
RS40.0.05-500	30
RS40.0.05-625	30
RS40.0.06-500	30
RS40.0.06-625	30
RS40.0.07-500	30
RS40.0.07-625	30
RS40.1.01-500	29
RS40.1.01-625	29
RS40.1.02-500	29
RS40.1.02-625	29
RS40.1.03-500	29
RS40.1.03-625	29
RS40.1.04-500	29
RS40.1.04-625	29
RS40.1.09-500	29
RS40.1.09-625	29
RS40.1.10-500	29
RS40.1.10-625	29
RS40.1.12-500	29
RS40.1.12-625	29
RS40.1.14-500	29
RS40.1.14-625	29
RS40.1.16-500	29
RS40.1.16-625	29
RS40.1.20-500	29
RS40.1.20-625	29
RS0301	177
RS-3516	177
RSB11	108
RSB20	69
RSP16	40
RSP26	47
RSS-15T	140
RST01	69
RST-13T	140
RSW06	109
RT-130-12-G	62
RT-205-12-G	62
S140LFL-5	147
S140LFL-10	147
S140LFL-15	147
S140LFL-20	147
S140LFL-25	147
S140LFL-30	147
S140LFL-35	147
S140LFL-40	147
S140LFL-45	147
S140LFR-5	147
S140LFR-10	147
S140LFR-15	147
S140LFR-20	147
S140LFR-25	147
S140LFR-30	147
S140LFR-35	147
S140LFR-40	147
S140LFR-45	147
S140LL	147
S140LR	147
S-160LNL	147
S-160LNR	147
S-171L	152
S-171R	152
S-172L	152
S-172R	152
S0504	228
S-3505LL	146
S-3505LR	146
S-3506NL	146



## Артикул ..... стр.

S-3506NR	146
SA-5/4	189
SB0100	72
SB212S	183
SB-235K	176
SB-485K	176
SBD-86L	200
SBD-86R	200
SBD-111L	200
SBD-111R	200
SBD-127L	200
SBD-127R	200
SBD-152L	200
SBD-152R	200
SBD-TL	200
SBD-TR	200
SBD-TSS5/4L	200
SBD-TSS5/4R	200
SCI-1	221
SCI-5/4	221
SCU-25	222
SF-51	196
SF-67	196
SF-95	196
SF-152L	197
SF-152L-5/4	197
SF-152R	197
SF-152R-5/4	197
SH221S	183
SK-300	199
SKH-38	220
SKH-75x10	220
SKS-38	220
SKS-75	220
SP-230T	182
SS-45.100	230
SS0206	123
SS0402	229
SS446L	230
SS446R	230
SXR 10x60 FUS	244
T-100-6000	156
T-152-3600	199
TB006	174
TB007	174
TB-191T-300	170
TB-191T-500	170
TB-191T-800	170
TB-191T-1000	170
TB-192T	171
TB193S-330	171
TB193S-680	171
TB193S-910	171
TB-194T	170
TB603	172
TB604	173
TB607-300	172
TB607-500	172
TB607-800	172
TB607-1000	172
TB607-1500	172
TB-4507	214
TBB-4505	210
TBI510ML	216
TBI510MR	216
TBI520ML	216
TBI520MR	216
TBI530ML	216
TBI530MR	216

## Артикул ..... стр.

TBI540ML	216
TBI540MR	216
TBI550ML	216
TBI550MR	216
TBI560ML	216
TBI560MR	216
TBI570ML	216
TBI570MR	216
TBI580L	216
TBI580R	216
TBI590L	216
TBI590R	216
TBI-600L	217
TBI-600R	217
TBI-610L	217
TBI-610R	217
TBI-630L	217
TBI-630R	217
TBI-640L	217
TBI-640R	217
TBI-700L	217
TBI-700R	217
TBI-710L	217
TBI-710R	217
TBI-730L	217
TBI-730R	217
TBI922	173
TBI923	173
TBI924	174
TBI-4512L	218
TBI-4512R	218
TBT-916L	219
TBT-916R	219
TBT-4503	214
TKU-1	289
TKU-2	289
TKU-3	289
TKU-4	289
TKU-5	289
TKU-6	289
TKU-7	289
TKU-8	289
TKU-9	289
TKU-11	289
TKU-13	290
TKU-21	290
TKU-22	290
TKU-23	290
TKU-24	290
TKU-25	290
TKU-26	290
TKU-27	290
TKU-28	290
TKU-29	290
TKU-30	290
TKU-31	290
TKU-32	290
TN26x25VTx2500R	184
TN28x25BRx2500R	184
TN30x25WHx1500R	184
TN30x33WHx2000R	184
TN32x25YLx1020R	184
TN32x25YLx1280R	184
TN32x33GRx1100R	184
TN34x25RDx1550R	184
TN34x33BLx850R	184
TN36x33ORx960R	184
TN36x33ORx1060R	184
TN38x33PNx1000R	184

## Артикул ..... стр.

TN38x33PNx1220R	184
TN40x33GNx1260R	184
TN42x33BKx1260R	184
TP-550	164
TSA42,5x51x1000L	192
TSA42,5x51x1000R	192
TSA45x51x1100L	192
TSA45x51x1100R	192
TSA47,5x51x1250L	192
TSA47,5x51x1250R	192
TSA50x51x2000L	192
TSA50x51x2000R	192
TSA52,5x51x2000L	192
TSA52,5x51x2000R	192
TSA55x51x2000L	192
TSA55x51x2000R	192
TSA55x67x1200L	193
TSA55x67x1200R	193
TSA57,5x51x1600L	192
TSA57,5x51x1600R	192
TSA57,5x67x1400L	193
TSA57,5x67x1400R	193
TSA60x51x1700L	192
TSA60x51x1700R	192
TSA60x67x1500L	193
TSA60x67x1500R	193
TSA62,5x51x1800L	192
TSA62,5x51x1800R	192
TSA62,5x67x1700L	193
TSA62,5x67x1700R	193
TSA65x51x1900L	192
TSA65x51x1900R	192
TSA65x67x1700L	193
TSA65x67x1700R	193
TSA65x95x1400L	194
TSA65x95x1400R	194
TSA70x51x1400L	192
TSA70x51x1400R	192
TSA70x51x2000L	192
TSA70x51x2000R	192
TSA70x67x1900L	193
TSA70x67x1900R	193
TSA70x95x1150L	194
TSA70x95x1150R	194
TSA70x95x1650L	194
TSA70x95x1650R	194
TSA75x67x2200L	193
TSA75x67x2200R	193
TSA75x95x1300L	194
TSA75x95x1300R	194
TSA75x95x1750L	194
TSA75x95x1750R	194
TSA75x152x1300L	195
TSA75x152x1300R	195
TSA80x95x1500L	194
TSA80x95x1500R	194
TSA80x95x2100L	194
TSA80x95x2100R	194
TSA80x152x1500L	195
TSA80x152x1500R	195
TSA85x95x1250L	194
TSA85x95x1250R	194
TSA85x95x1800L	194
TSA85x95x1800R	194
TSA85x152x1250L	195
TSA85x152x1250R	195
TSA85x152x1750L	195
TSA85x152x1750R	195
TSA90x95x1400L	194

Артикул..... стр.

TSA90×95×1400R.....	194
TSA90×95×1800L.....	194
TSA90×95×1800R.....	194
TSA90×152×1300L.....	195
TSA90×152×1300R.....	195
TSA90×152×2100L.....	195
TSA90×152×2100R.....	195
TSA95×95×1750L.....	194
TSA95×95×1750R.....	194
TSA95×152×1300L.....	195
TSA95×152×1300R.....	195
TSA95×152×1500L.....	195
TSA95×152×1500R.....	195
TSA95×152×2250L.....	195
TSA95×152×2250R.....	195
TSA100×152×1400L.....	195
TSA100×152×1400R.....	195
TSA100×152×1600L.....	195
TSA100×152×1600R.....	195
TSA100×152×2450L.....	195
TSA100×152×2450R.....	195
TSA105×152×1400L.....	195
TSA105×152×1400R.....	195
TSA105×152×1800L.....	195
TSA105×152×1800R.....	195
TSA110×152×1550L.....	195
TSA110×152×1550R.....	195
TSA110×152×1800L.....	195
TSA110×152×1800R.....	195
TSA115×152×1800L.....	195
TSA115×152×1800R.....	195
TSA120×152×1700L.....	195
TSA120×152×1700R.....	195
TSH-4500.....	187
TSH-4500-2.....	187
TSH-5500.....	187
TSH-5500-2.....	187
TSS-5/4-4000.....	188
TSS-5/4-5800.....	188
TSS-5000.....	187
TSS-5500.....	187
US230S.....	182
VG-368BK.....	84
VG-368RBK.....	84
VG-368RWH.....	84
VG-368WH.....	84
W043-BR40.....	78
W043-CG.....	78
W043-MG.....	78
W043-TG.....	78
W043-WH40.....	78
W046-40.....	77
W050-BR40.....	78
W050-CG.....	79
W050-MG.....	79
W050-TG.....	79
W050-WH40.....	78
W51SS-40.....	81
W060-BR40.....	79
W060-CG.....	79
W060-MG.....	79
W060-TG.....	79
W060-WH40.....	79
W61SS-40.....	81
W085-40.....	77
W095-40.....	77
WD12P.....	119
WD13PL.....	119
WD13PR.....	119

Артикул..... стр.

WD16PL.....	121
WD16PR.....	121
WD17PL.....	121
WD17PR.....	121
WD-40.01L-BR.....	111
WD-40.01L-GR.....	111
WD-40.01R-BR.....	111
WD-40.01R-GR.....	111
WD-40.11L-BR.....	110
WD-40.11L-GR.....	110
WD-40.11R-BR.....	110
WD-40.11R-GR.....	110
WD-40.21L-BR.....	99
WD-40.21L-GR.....	99
WD-40.21R-BR.....	99
WD-40.21R-GR.....	99
WD-40.22L-BR.....	99
WD-40.22L-GR.....	99
WD-40.22R-BR.....	99
WD-40.22R-GR.....	99
WD-40.32L-BR.....	110
WD-40.32L-GR.....	110
WD-40.32R-BR.....	110
WD-40.32R-GR.....	110
WD-40.151L.001.....	115
WD-40.151L.101.....	106
WD-40.151L.103.....	107
WD-40.151L.201.....	96
WD-40.151L.202.....	95
WD-40.151L.203.....	97
WD-40.151L.302.....	105
WD-40.151R.001.....	115
WD-40.151R.101.....	106
WD-40.151R.103.....	107
WD-40.151R.201.....	96
WD-40.151R.202.....	95
WD-40.151R.203.....	97
WD-40.151R.302.....	105
WD-40.152L.001.....	115
WD-40.152L.101.....	106
WD-40.152L.201.....	96
WD-40.152L.202.....	95
WD-40.152L.302.....	105
WD-40.152R.001.....	115
WD-40.152R.101.....	106
WD-40.152R.201.....	96
WD-40.152R.202.....	95
WD-40.152R.302.....	105
WD-40.153L.001.....	115
WD-40.153L.101.....	106
WD-40.153L.201.....	97
WD-40.153L.202.....	96
WD-40.153L.203.....	97
WD-40.153L.302.....	105
WD-40.153R.001.....	115
WD-40.153R.101.....	106
WD-40.153R.201.....	97
WD-40.153R.202.....	96
WD-40.153R.203.....	97
WD-40.153R.302.....	105
WD-40.161L.001.....	115
WD-40.161L.101.....	106
WD-40.161L.201.....	96
WD-40.161L.202.....	95
WD-40.161L.302.....	105
WD-40.161R.001.....	115
WD-40.161R.101.....	106
WD-40.161R.201.....	96
WD-40.161R.202.....	95

Артикул..... стр.

WD-40.161R.302.....	105
WD-40.162L.001.....	115
WD-40.162L.101.....	106
WD-40.162L.201.....	96
WD-40.162L.202.....	95
WD-40.162L.302.....	105
WD-40.162R.001.....	115
WD-40.162R.101.....	106
WD-40.162R.201.....	96
WD-40.162R.202.....	95
WD-40.162R.302.....	105
WD-40.163L.001.....	115
WD-40.163L.101.....	106
WD-40.163L.201.....	97
WD-40.163L.202.....	96
WD-40.163L.302.....	105
WD-40.163R.001.....	115
WD-40.163R.101.....	106
WD-40.163R.201.....	97
WD-40.163R.202.....	96
WD-40.163R.302.....	105
WD-40.250L.101.....	104
WD-40.250L.201.....	95
WD-40.250L.202KFV.....	94
WD-40.250L.202KFV-01.....	94
WD-40.250L.302KFV.....	104
WD-40.250R.001.....	114
WD-40.250R.101.....	104
WD-40.250R.201.....	95
WD-40.250R.202KFV.....	94
WD-40.250R.202KFV-01.....	94
WD-40.250R.302KFV.....	104
WD-40.260L.101.....	104
WD-40.260L.201.....	95
WD-40.260L.202KFV.....	94
WD-40.260L.202KFV-01.....	94
WD-40.260L.302KFV.....	104
WD-40.260R.001.....	114
WD-40.260R.101.....	104
WD-40.260R.201.....	95
WD-40.260R.202KFV.....	94
WD-40.260R.202KFV-01.....	94
WD-40.260R.302KFV.....	104
WD-40.350L.202.....	94
WD-40.350L.302.....	104
WD-40.350R.202.....	94
WD-40.350R.302.....	104
WD-40.360L.202.....	94
WD-40.360L.302.....	104
WD-40.360R.202.....	94
WD-40.360R.302.....	104
WD-40.403L.001.....	114
WD-40.403L.101.....	103
WD-40.403L.103.....	103
WD-40.403L.201.....	93
WD-40.403L.202.....	93
WD-40.403L.203H.....	93
WD-40.403L.302.....	103
WD-40.403R.001.....	114
WD-40.403R.101.....	103
WD-40.403R.103.....	103
WD-40.403R.201.....	93
WD-40.403R.202.....	93
WD-40.403R.203H.....	93
WD-40.403R.302.....	103
WD-40.404L.001.....	114
WD-40.404L.101.....	103
WD-40.404L.201.....	93
WD-40.404L.202.....	93

Артикул .....	стр.
WD-40.404L.302.....	103
WD-40.404R.001 .....	114
WD-40.404R.101 .....	103
WD-40.404R.201 .....	93
WD-40.404R.202 .....	93
WD-40.404R.302 .....	103
WD-40.2033L .....	107
WD-40.2033R .....	107
WD100 .....	117

Артикул .....	стр.
WD0210.....	124
WD403R.108 .....	123
WD2011.....	100
WD2013N.....	113
WD2014.....	113
WD2028.....	112
WD2031.....	100
WD2034L-BK.....	108
WD2034R-BK.....	108

Артикул .....	стр.
WH-40.011.....	116
WL32 .....	111
WL0202-PC .....	126
WL2021-BK.....	125
WL2021-BR.....	125
WL2021-SL .....	125
WL2022-BK.....	125
WL2022-BR.....	125
WL2022-SL .....	125

1.1

1.2

1.3

1.4

1.5

2

3

4



# 1

## Гаражные ворота Trend Промышленные ворота ProTrend, AluTrend

---

1.1	Конструкция секционных ворот .....	13
1.2	Полотно ворот .....	23
1.3	Встроенная калитка .....	87
1.4	Системы направляющих и подвеса .....	131
1.5	Система балансировки .....	179



# 1.1

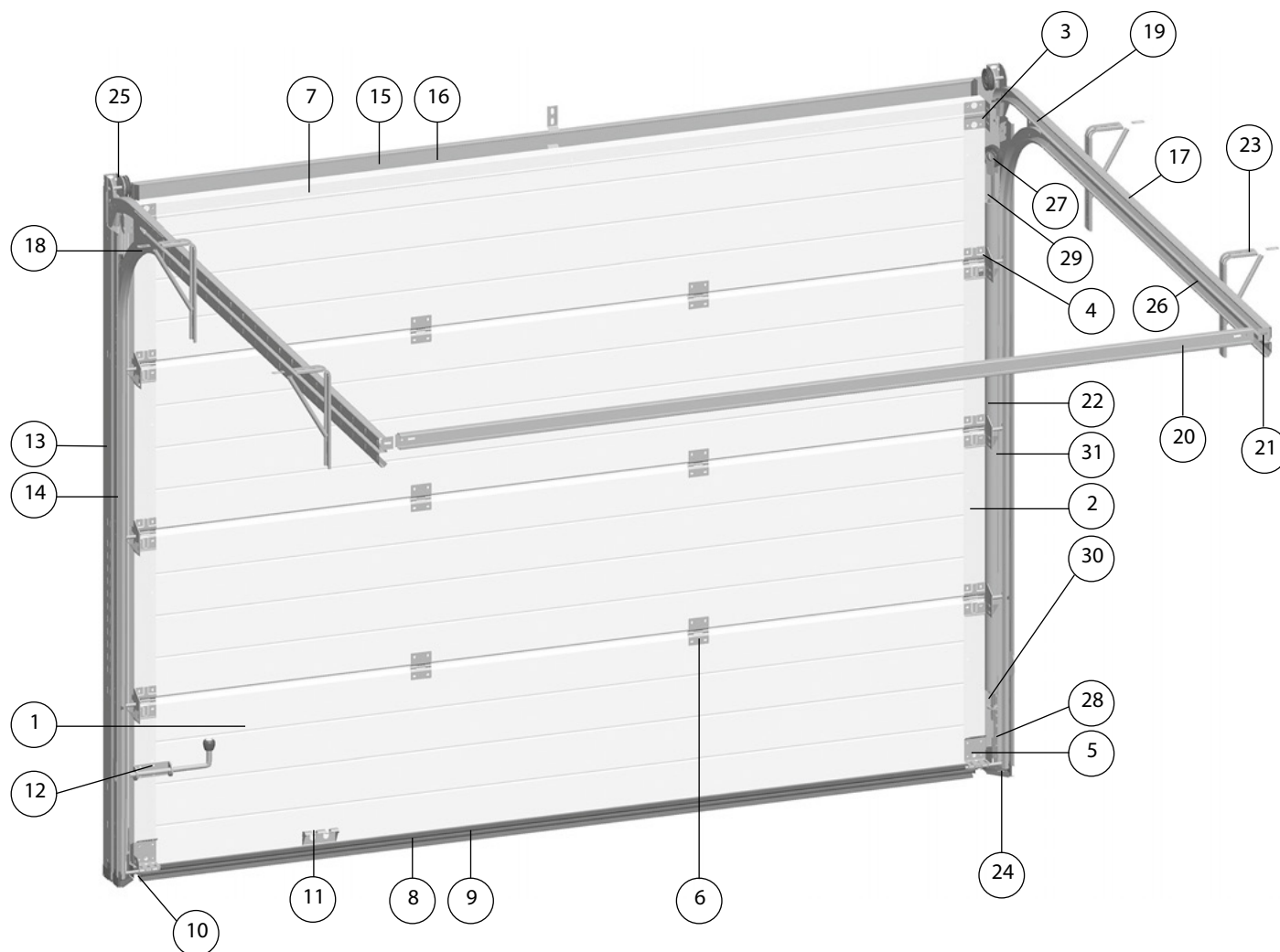
## Конструкция секционных ворот

---





## ГАРАЖНЫЕ ВОРОТА TREND С ПРУЖИНАМИ РАСТЯЖЕНИЯ



**№ Наименование**

**Полотно ворот**

- 1 Сэндвич-панель
- 2 Накладка боковая
- 3 Кронштейн роликовый верхний
- 4 Кронштейн роликовый боковой
- 5 Кронштейн роликовый нижний
- 6 Петля промежуточная
- 7 Профиль концевой (верхний)
- 8 Профиль концевой (нижний)
- 9 Вставка уплотнительная (нижняя)
- 10 Упор нижний
- 11 Ручка
- 12 Засов

**№ Наименование**

**Системы направляющих и подвеса**

- 13 Профиль угловой
- 14 Профиль направляющий верт.
- 15 Профиль передний (нащельник)
- 16 Вставка уплотнительная (верхняя)
- 17 Профиль направляющий гориз.
- 18 Элемент радиусный
- 19 Узел направляющий передний
- 20 С-профиль (мерная планка)
- 21 Кронштейн мерной планки
- 22 Кронштейн угловой
- 23 Подвес
- 24 Ограничитель угловой стойки
- 25 Кронштейн
- 26 Ограничитель

**№ Наименование**

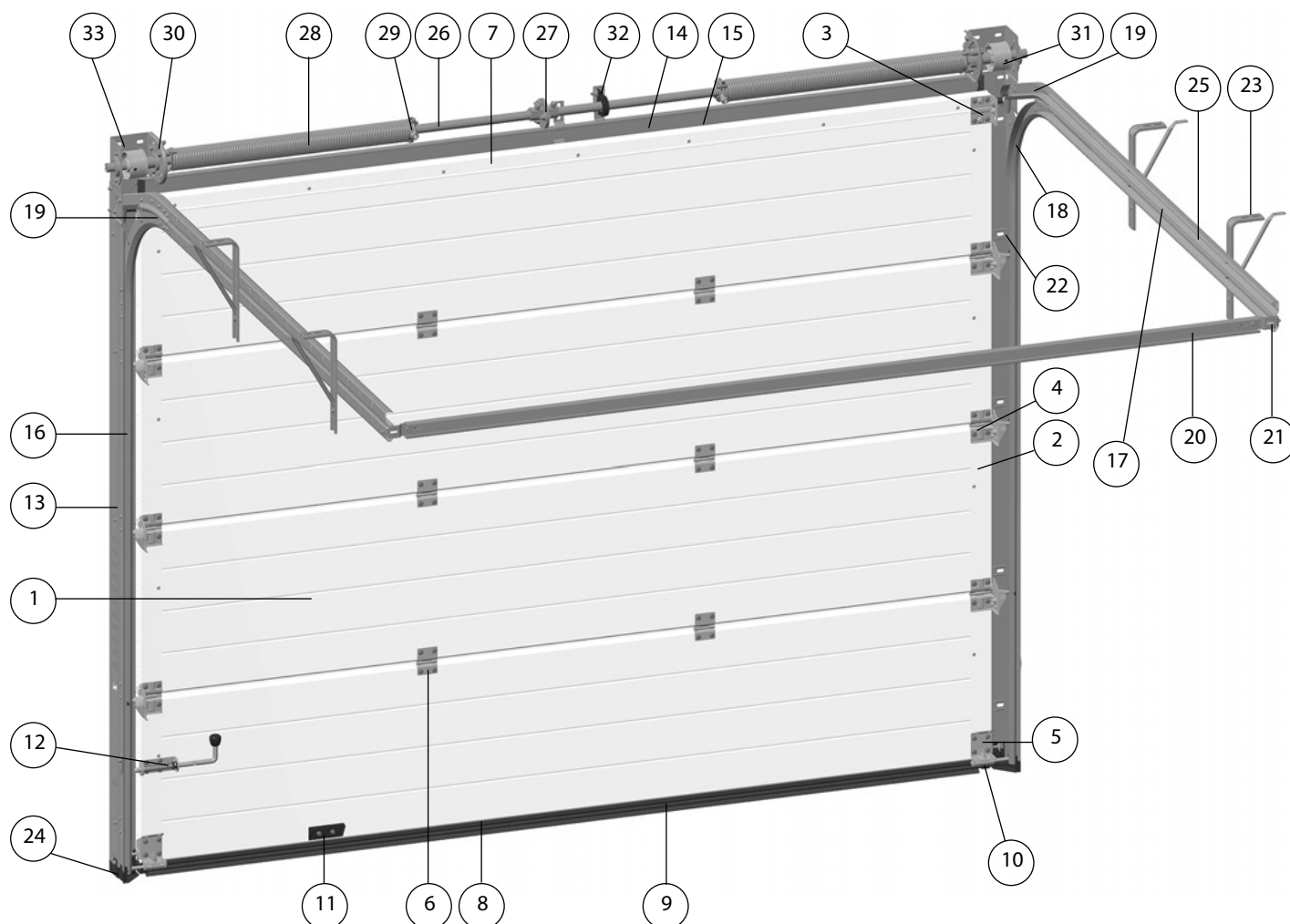
**Система балансировки**

- 27 Узел верхний
- 28 Пластина
- 29 Фиксатор
- 30 Кронштейн
- 31 Внутренняя и наружная пружина

Секционные ворота «АЛЮТЕХ» соответствуют требованиям Европейских стандартов безопасности EN 12604 и EN 12453.

## ГАРАЖНЫЕ ВОРОТА TREND С ТОРСИОННЫМИ ПРУЖИНАМИ

СТАНДАРТНЫЙ МОНТАЖ



№	Наименование
<b>Полотно ворот</b>	
1	Сэндвич-панель
2	Накладка боковая
3	Кронштейн роликовый верхний
4	Кронштейн роликовый боковой
5	Кронштейн роликовый нижний
6	Петля промежуточная
7	Профиль концевой (верхний)
8	Профиль концевой (нижний)
9	Вставка уплотнительная (нижняя)
10	Упор нижний
11	Ручка
12	Засов

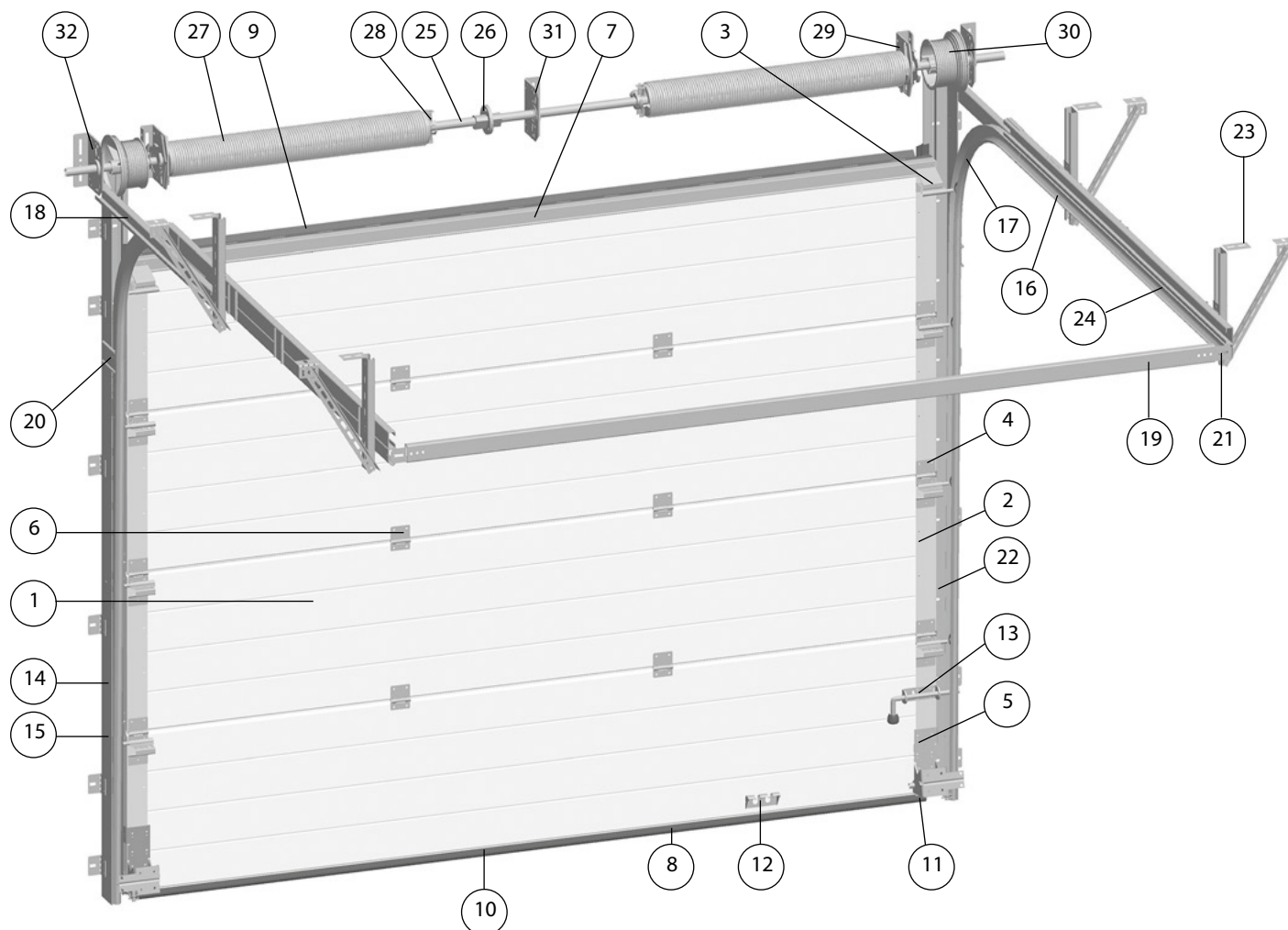
№	Наименование
<b>Системы направляющих и подвеса</b>	
13	Профиль угловой
14	Профиль передний (нащельник)
15	Вставка уплотнительная (верхняя)
16	Профиль направляющий верт.
17	Профиль направляющий гориз.
18	Элемент радиусный
19	Узел направляющий передний
20	С-профиль (мерная планка)
21	Кронштейн мерной планки
22	Кронштейн угловой
23	Подвес
24	Ограничитель угловой стойки
25	Ограничитель

№	Наименование
<b>Торсионный вал</b>	
26	Вал
27	Муфта соединительная
28	Пружина
29	Наконечник пружинный
30	Муфта предохранительная храповая
31	Барaban
32	Кронштейн промежуточный
33	Кронштейн

Секционные ворота «АЛЮТЕХ» соответствуют требованиям Европейских стандартов безопасности EN 12604 и EN 12453.

## ПРОМЫШЛЕННЫЕ ВОРОТА PROTREND

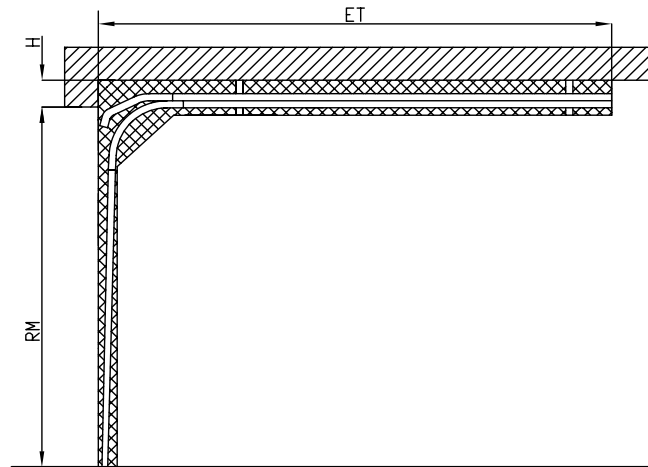
### СТАНДАРТНЫЙ МОНТАЖ



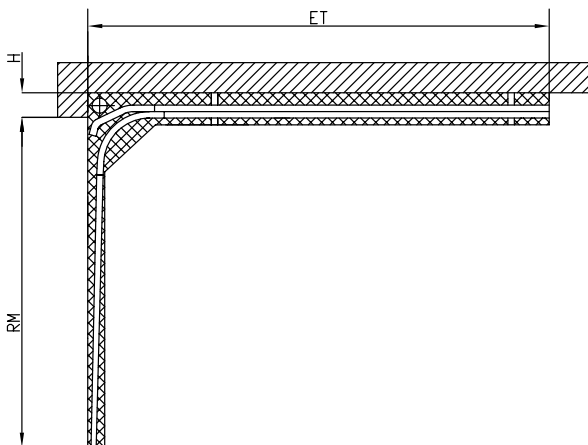
№	Наименование	№	Наименование	№	Наименование
	<b>Полотно ворот</b>		<b>Системы направляющих и подвеса</b>		<b>Торсионный вал</b>
1	Сэндвич-панель	14	Профиль угловой	25	Вал
2	Накладка боковая	15	Профиль направляющий верт.	26	Муфта соединительная
3	Кронштейн роликовый верхний	16	Профиль направляющий гориз.	27	Пружина
4	Кронштейн роликовый боковой	17	Элемент радиусный	28	Наконечник пружинный
5	Кронштейн роликовый нижний	18	Узел передний	29	Муфта предохранительная храповая
6	Петля промежуточная	19	С-профиль (мерная планка)	30	Барaban
7	Профиль концевой (верхний)	20	Пластины соединительные	31	Кронштейн промежуточный
8	Профиль концевой (нижний)	21	Кронштейн мерной планки	32	Кронштейн боковой
9	Вставка уплотнительная (верхняя)	22	Кронштейн угловой		
10	Вставка уплотнительная (нижняя)	23	Подвес		
11	Упор нижний	24	Демпфер		
12	Ручка				
13	Засов				

Секционные ворота «АЛЮТЕХ» соответствуют требованиям Европейских стандартов безопасности EN 12604 и EN 12453.

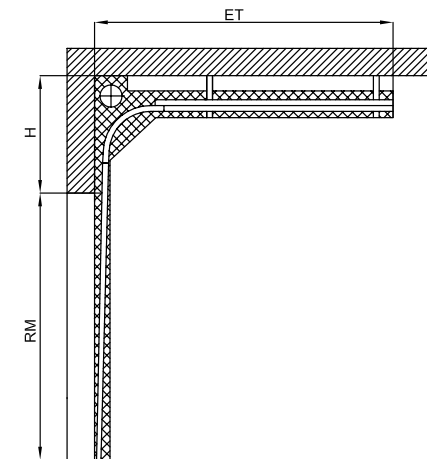
## МОНТАЖНАЯ СХЕМА СЕКЦИОННЫХ ГАРАЖНЫХ ВОРОТ СЕРИИ TREND С ПРУЖИНАМИ РАСТЯЖЕНИЯ



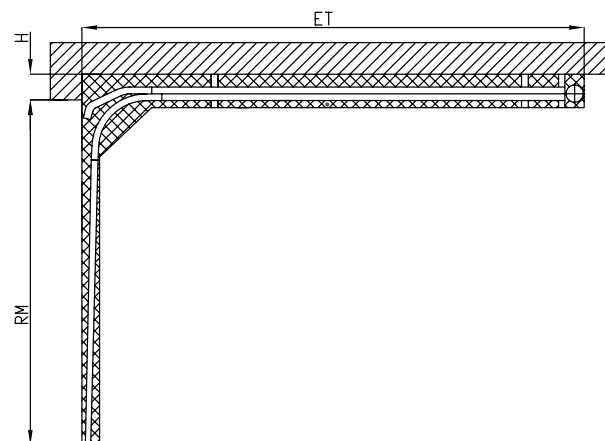
## ТИПЫ МОНТАЖА ГАРАЖНЫХ СЕКЦИОННЫХ ВОРОТ СЕРИИ TREND С ТОРСИОННЫМИ ПРУЖИНАМИ



**Стандартный монтаж**



**Высокий монтаж**

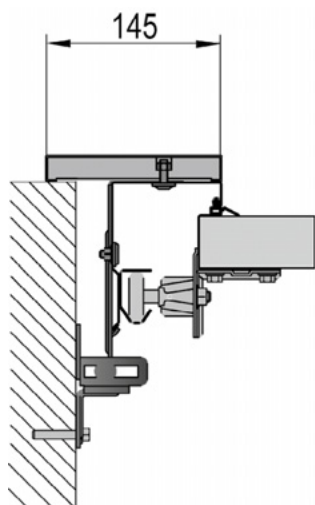


**Низкий монтаж**

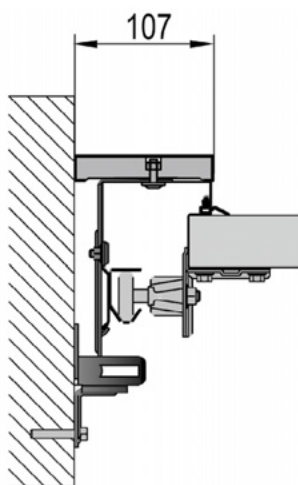
H — высота перемычки, мм  
RM — высота проема, мм  
ET — глубина вхождения ворот внутрь помещения, мм

Тип монтажа	Минимальная высота перемычки (H), мм
Пружины растяжения	100
Высокий монтаж	500
Стандартный монтаж	210
Низкий монтаж	100

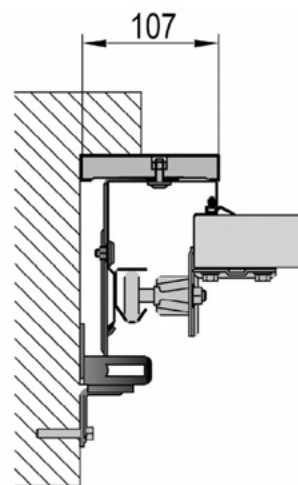
## ВСТРОЕННЫЙ МОНТАЖ ГАРАЖНЫХ ВОРОТ С ПРУЖИНАМИ РАСТЯЖЕНИЯ И ГАРАЖНЫХ ВОРОТ НИЗКОГО ТИПА МОНТАЖА



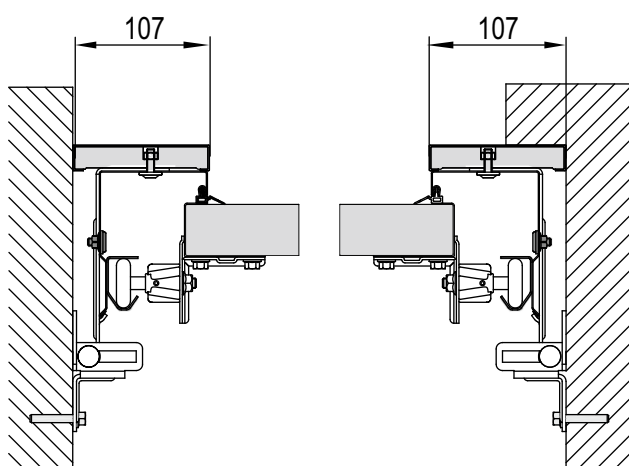
**Монтаж перед проемом**  
Комплект арт. **FWO145/145-40**



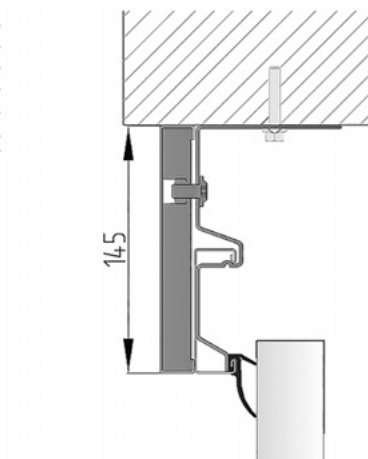
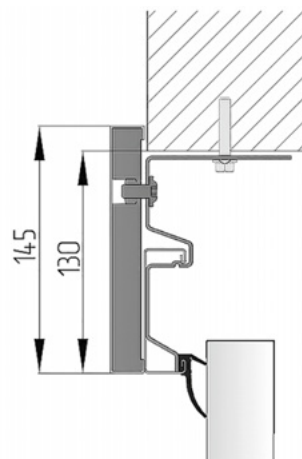
**Монтаж в проем**  
Комплект арт. **FWO100/145-40**



**Монтаж за проемом**  
Комплект арт. **FWO100/145-40**



**Комбинированный монтаж**  
Комплект арт. **FWO100/145-40**

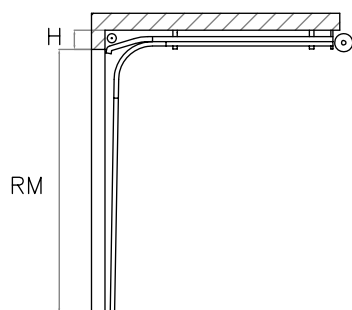


**Установка  
декоративного нащельника**

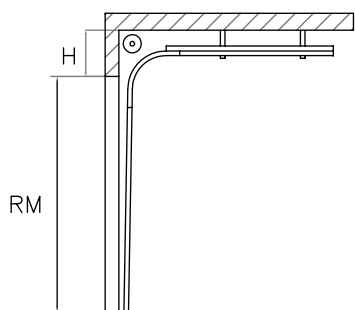
Размеры боковых заплечиков и верхней перемычки:

Боковые заплечики	0–107 мм
Верхняя перемычка	0–145 мм

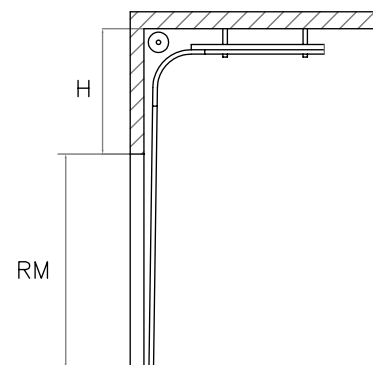
## ТИПЫ МОНТАЖА ПРОМЫШЛЕННЫХ СЕКЦИОННЫХ ВОРОТ СЕРИИ PROTREND



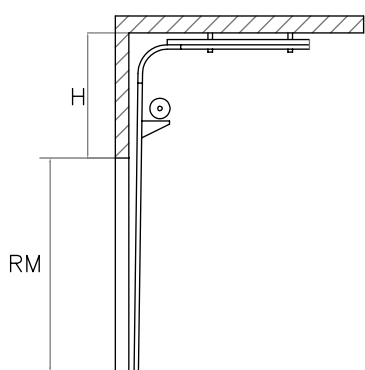
**Низкий тип монтажа**



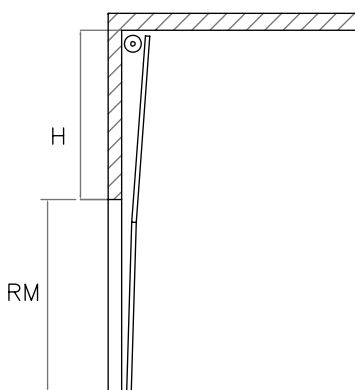
**Стандартный тип монтажа**



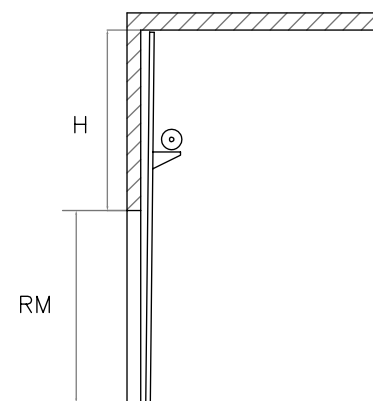
**Высокий тип монтажа**



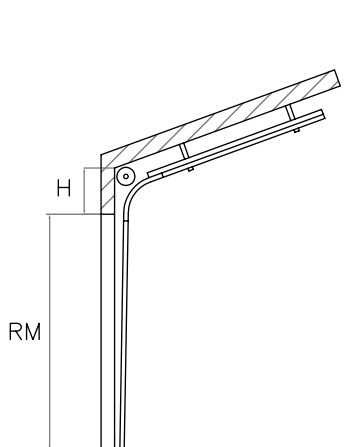
**Высокий тип монтажа с нижним расположением вала**



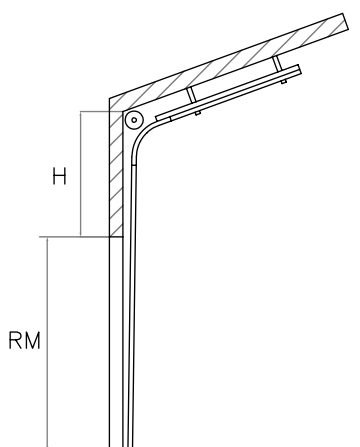
**Вертикальный тип монтажа с верхним расположением вала**



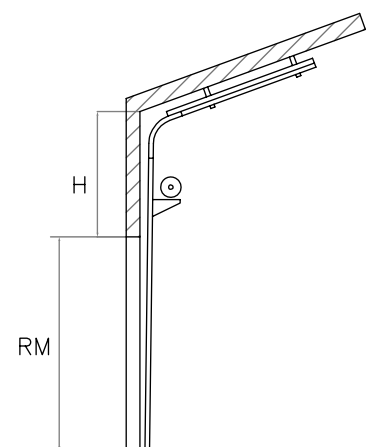
**Вертикальный тип монтажа с нижним расположением вала**



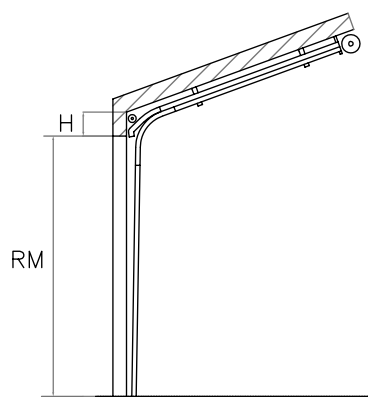
**Наклонный тип монтажа**



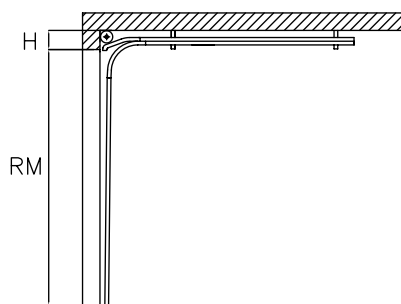
**Наклонный высокий тип монтажа с верхним расположением вала**



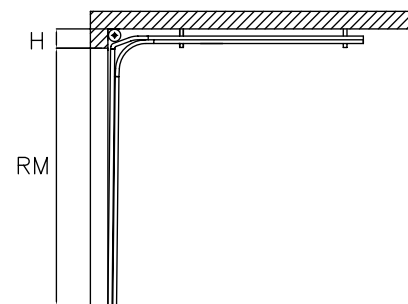
**Наклонный высокий тип монтажа с нижним расположением вала**



**Наклонный низкий тип монтажа**



**Низкий с передним расположением вала тип монтажа**



**Низкий с передним расположением вала (тип 2) монтаж**

1.1

1.2

1.3

1.4

1.5

2

3

4

H — высота перемычки, мм

RM — высота проема, мм

ET — глубина вхождения ворот внутрь помещения, мм

Тип монтажа	Минимальная высота перемычки (H), мм
Низкий монтаж	230
Стандартный монтаж	410
Высокий монтаж с верхним расположением вала	900
Высокий монтаж с нижним расположением вала	1795
Вертикальный монтаж с верхним расположением вала	RM+340
Вертикальный монтаж с нижним расположением вала	RM+340
Наклонный монтаж	490
Наклонный высокий монтаж с верхним расположением вала	900
Наклонный высокий монтаж с нижним расположением вала	1795
Наклонный низкий монтаж	275
Низкий с передним расположением вала тип монтажа	250
Низкий с передним расположением вала (тип 2) монтаж	260





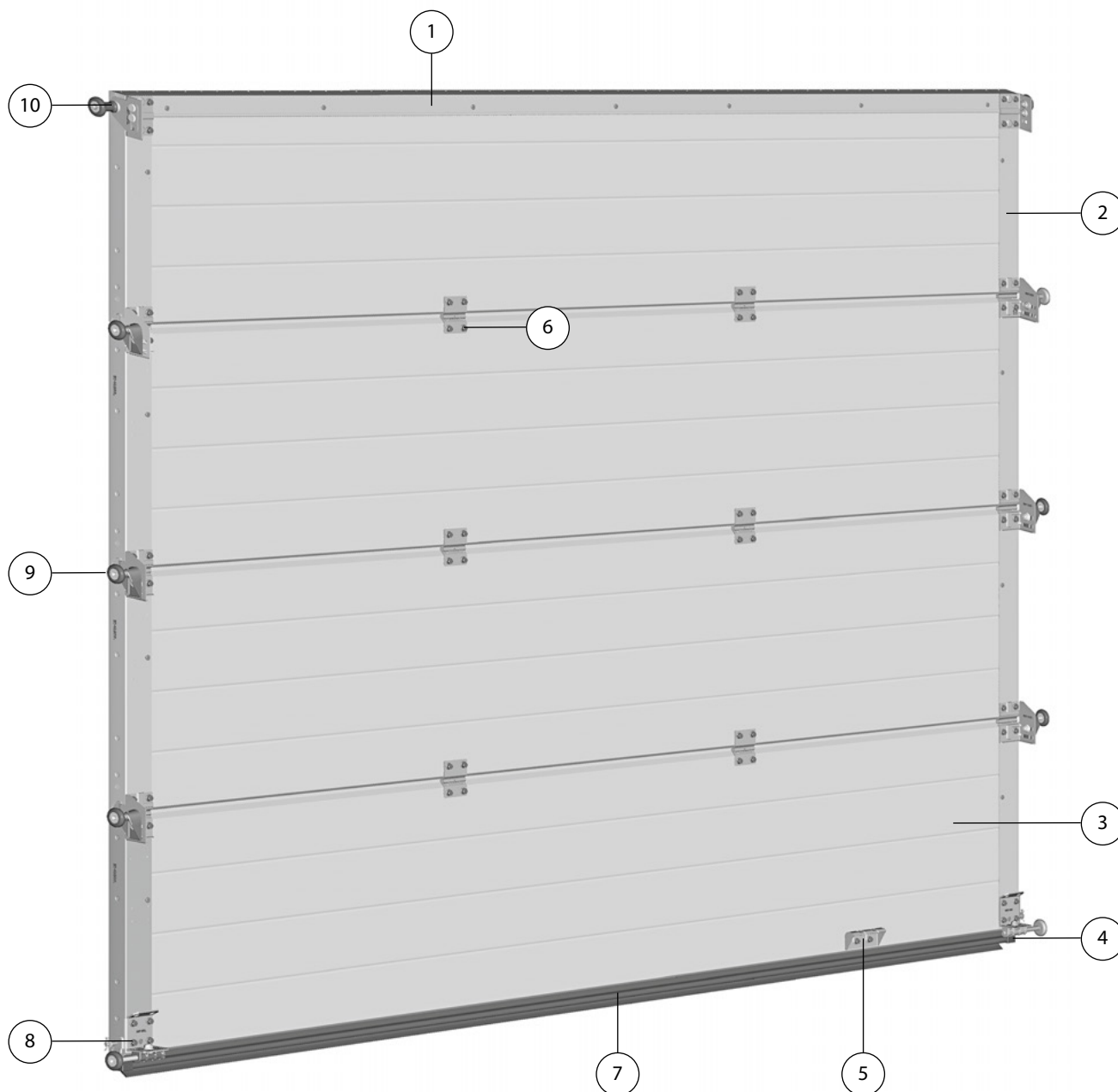
# 1.2

Полотно ворот

---



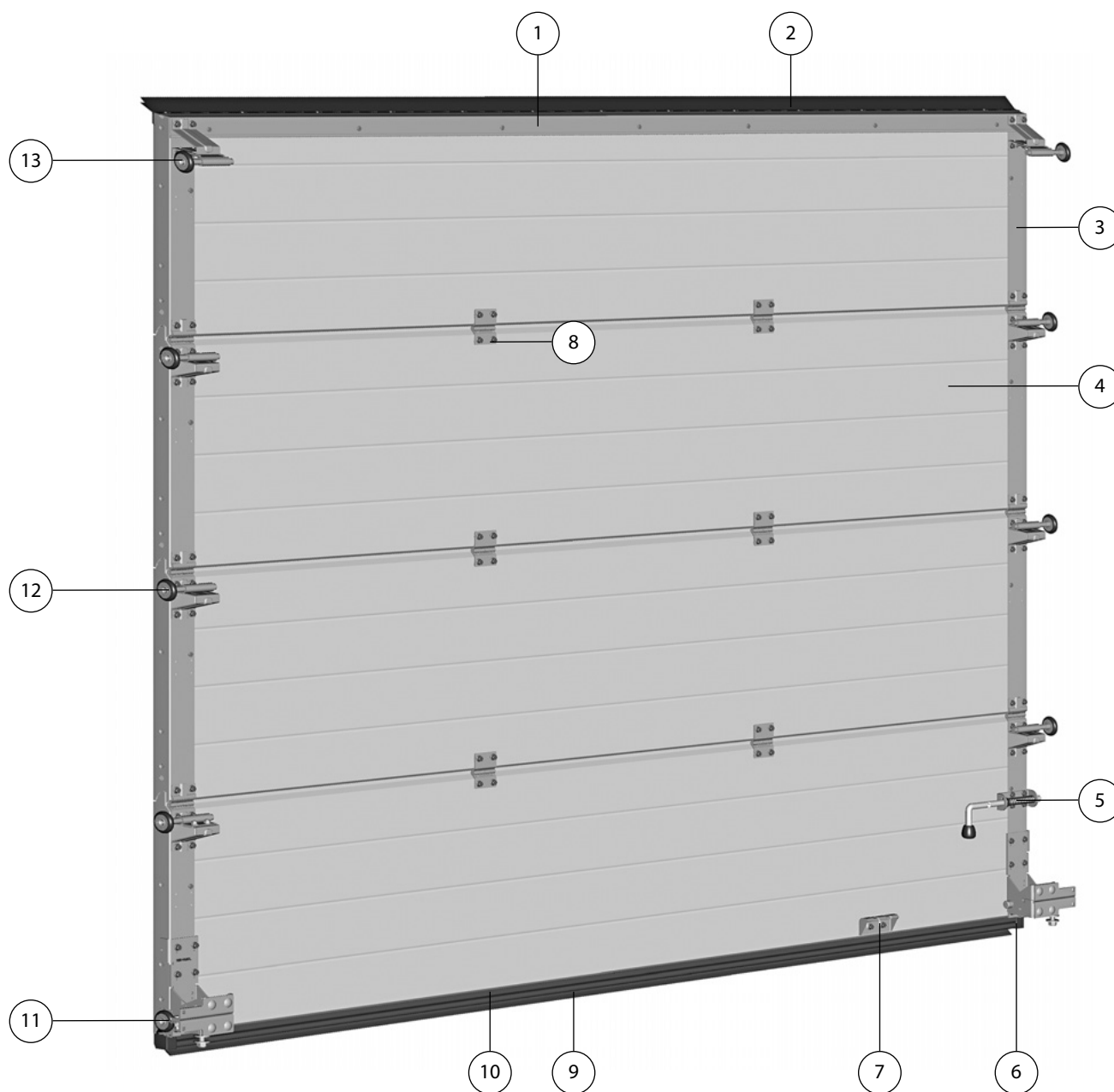
## ТИПОВАЯ КОНСТРУКЦИЯ ПОЛОТНА ГАРАЖНЫХ ВОРОТ СЕРИИ TREND



№	Наименование
1	Профиль концевой (верхний)
2	Накладка боковая
3	Сэндвич-панель
4	Упор нижний
5	Ручка

№	Наименование
6	Петля промежуточная
7	Вставка уплотнительная (нижняя)
8	Кронштейн нижний
9	Кронштейн боковой
10	Кронштейн верхний

## ТИПОВАЯ КОНСТРУКЦИЯ ПОЛОТНА ПРОМЫШЛЕННЫХ ВОРОТ СЕРИИ PROTREND



№	Наименование
1	Профиль концевой (верхний)
2	Вставка уплотнительная (верхняя)
3	Накладка боковая
4	Сэндвич-панель
5	Засов

№	Наименование
6	Упор нижний
7	Ручка
8	Петля промежуточная
9	Вставка уплотнительная (нижняя)
10	Профиль концевой (нижний)

№	Наименование
11	Кронштейн роликовый нижний
12	Кронштейн роликовый боковой
13	Кронштейн роликовый верхний

## КОНСТРУКЦИЯ СЭНДВИЧ-ПАНЕЛИ ТОЛЩИНОЙ 40 ММ С ЗАЩИТОЙ ОТ ЗАЩЕМЛЕНИЯ ПАЛЬЦЕВ



Полиуретановое покрытие 20–25 мкм

Грунт 14–16 мкм

Цинк 16 мкм

Сталь:

- 0,4 мм для панелей с тиснением Woodgrain;
- 0,5 мм для гладких панелей (Smooth)

Цинк 16 мкм

Адгезионный лак 12 мкм

Вспененный полиуретан

1.1

1.2

1.3

1.4

1.5

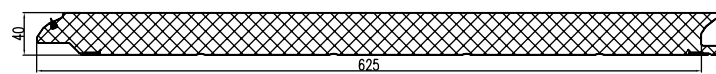
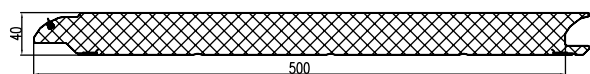
2

3

4

## СЭНДВИЧ-ПАНЕЛИ С РИСУНКОМ МИКРОВОЛНА

### СТРУКТУРА ПОВЕРХНОСТИ WOODGRAIN



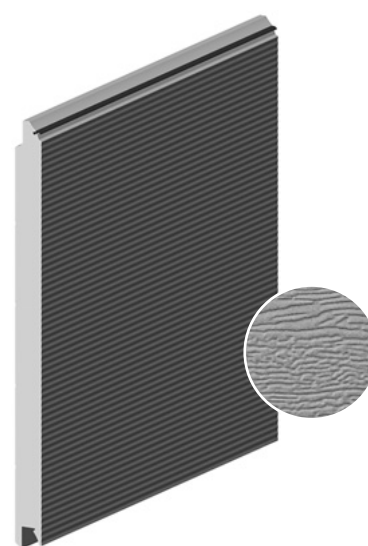
#### Панель воротная

Наружная сторона: структура поверхности woodgrain с рисунком микроволна.

Внутренняя сторона: структура поверхности woodgrain с горизонтальными полосами, цвет — бело-серый (близкий RAL 9002).

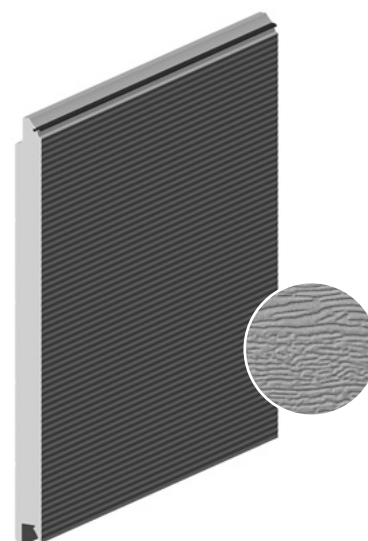
Высота панели, мм	500
Толщина панели, мм	40
Вес, кг/м	4,51
Единица измерения	м

Артикул	Код	Цвет	Длина, м	Норма поставки, м
MW40.1.01-500	401043312	RAL 9016*	12,2	305,0
MW40.1.02-500	401043417	RAL 8014*		
MW40.1.03-500	401040811	RAL 9006*		
MW40.1.04-500	401040414	RAL 5010*		
MW40.1.12-500	401041313	RAL 3004*		
MW40.1.09-500	401040921	RAL 6005*		
MW40.1.10-500	401040820	RAL 1015*		
MW40.1.14-500	401040928	ADS703		
MW40.1.20-500	401042019	RAL 8017*		
MW40.1.16-500	401041129	RAL 7016*		



Высота панели, мм	625
Толщина панели, мм	40
Вес, кг/м	5,38
Единица измерения	м

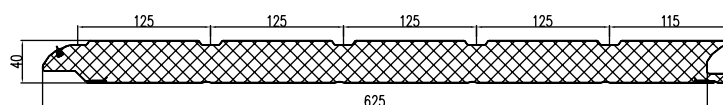
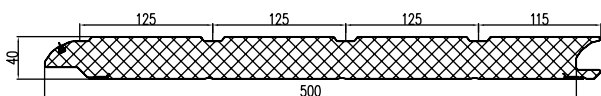
Артикул	Код	Цвет	Длина, м	Норма поставки, м
MW40.1.01-625	401090512	RAL 9016*	12,2	305,0
MW40.1.02-625	401090417	RAL 8014*		
MW40.1.03-625	401090611	RAL 9006*		
MW40.1.04-625	401090514	RAL 5010*		
MW40.1.12-625	401091013	RAL 3004*		
MW40.1.09-625	401090521	RAL 6005*		
MW40.1.10-625	401090520	RAL 1015*		
MW40.1.14-625	401090428	ADS703		
MW40.1.20-625	401091619	RAL 8017*		
MW40.1.16-625	401090429	RAL 7016*		



\* Указанные цвета имеют близкое соответствие шкале RAL.

## СЭНДВИЧ-ПАНЕЛИ С РИСУНКОМ S-ГОФР

## СТРУКТУРА ПОВЕРХНОСТИ WOODGRAIN



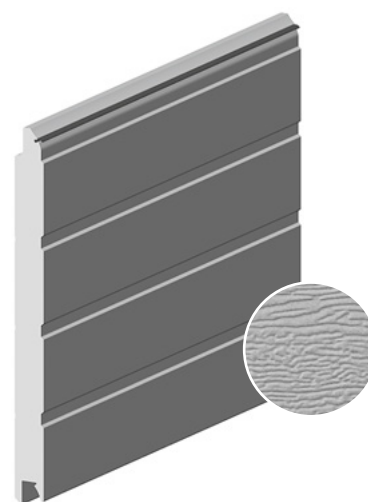
## Панель воротная

Наружная сторона: структура поверхности woodgrain с рисунком S-гофр (узкий гофр).

Внутренняя сторона: структура поверхности woodgrain с горизонтальными полосами, цвет — бело-серый (близкий RAL 9002).

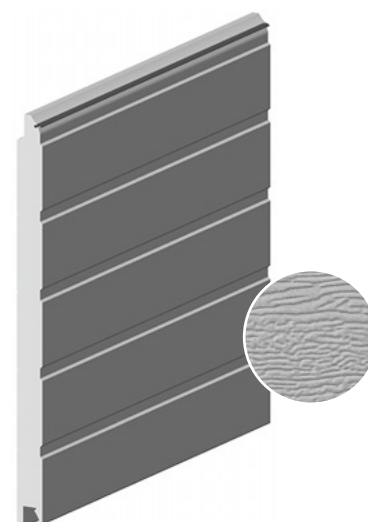
Высота панели, мм	500
Толщина панели, мм	40
Вес, кг/м	4,53
Единица измерения	м

Артикул	Код	Цвет	Длина, м	Норма поставки, м
RS40.1.01-500	401043412	RAL 9016*	12,2	305,0
RS40.1.02-500	401043517	RAL 8014*		
RS40.1.03-500	401040911	RAL 9006*		
RS40.1.04-500	401040514	RAL 5010*		
RS40.1.12-500	401041213	RAL 3004*		
RS40.1.09-500	401041021	RAL 6005*		
RS40.1.10-500	401040920	RAL 1015*		
RS40.1.14-500	401041028	ADS703		
RS40.1.20-500	401042119	RAL 8017*		
RS40.1.16-500	401041229	RAL 7016*		



Высота панели, мм	625
Толщина панели, мм	40
Вес, кг/м	5,47
Единица измерения	м

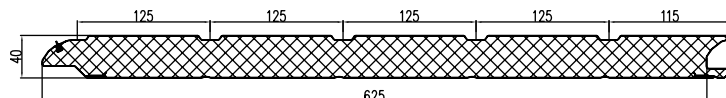
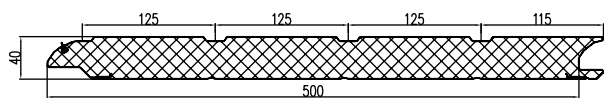
Артикул	Код	Цвет	Длина, м	Норма поставки, м
RS40.1.01-625	401090612	RAL 9016*	12,2	305,0
RS40.1.02-625	401090517	RAL 8014*		
RS40.1.03-625	401090711	RAL 9006*		
RS40.1.04-625	401090614	RAL 5010*		
RS40.1.12-625	401091113	RAL 3004*		
RS40.1.09-625	401090621	RAL 6005*		
RS40.1.10-625	401090620	RAL 1015*		
RS40.1.14-625	401090528	ADS703		
RS40.1.20-625	401091719	RAL 8017*		
RS40.1.16-625	401090529	RAL 7016*		



\* Указанные цвета имеют близкое соответствие шкале RAL.

## СЭНДВИЧ-ПАНЕЛИ С РИСУНКОМ S-ГОФР

СТРУКТУРА ПОВЕРХНОСТИ ГЛАДКАЯ



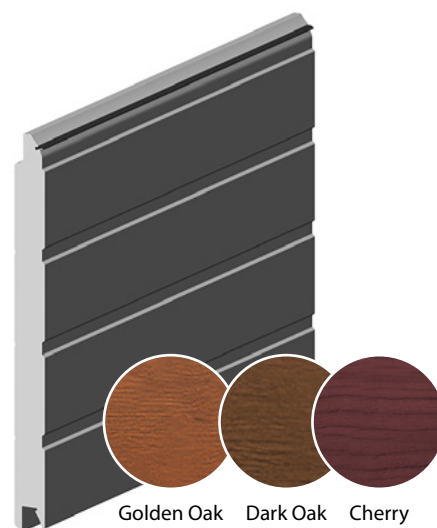
### Панель воротная

Наружная сторона: гладкая с рисунком S-гофр (узкий гофр).

Внутренняя сторона: структура поверхности woodgrain с горизонтальными полосами, цвет — бело-серый (близкий RAL 9002).

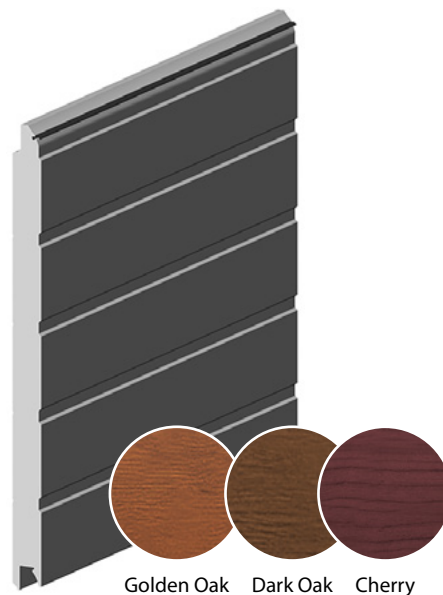
Высота панели, мм	500
Толщина панели, мм	40
Вес, кг/м	5,20
Единица измерения	м

Артикул	Код	Цвет	Длина, м	Норма поставки, м
RS40.0.05-500	401043705	Golden Oak	12,2	305,0
RS40.0.06-500	401044806	Dark Oak		
RS40.0.07-500	401041307	Cherry		



Высота панели, мм	625
Толщина панели, мм	40
Вес, кг/м	6,24
Единица измерения	м

Артикул	Код	Цвет	Длина, м	Норма поставки, м
RS40.0.05-625	401090505	Golden Oak	12,2	305,0
RS40.0.06-625	401090506	Dark Oak		
RS40.0.07-625	401090607	Cherry		

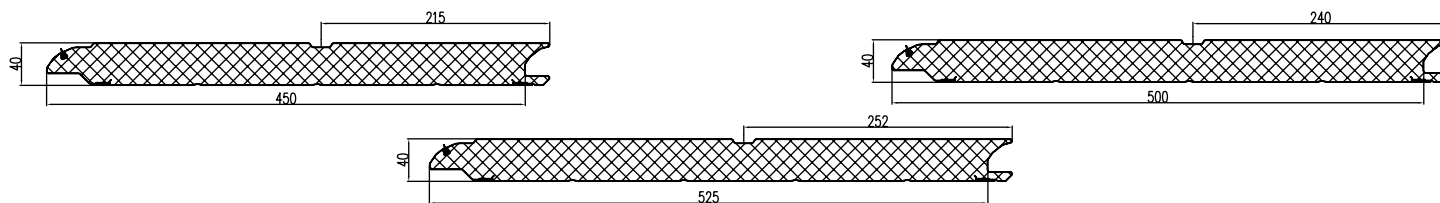


\* Указанные цвета имеют близкое соответствие шкале RAL.



## СЭНДВИЧ-ПАНЕЛИ С РИСУНКОМ М-ГОФР

## СТРУКТУРА ПОВЕРХНОСТИ WOODGRAIN



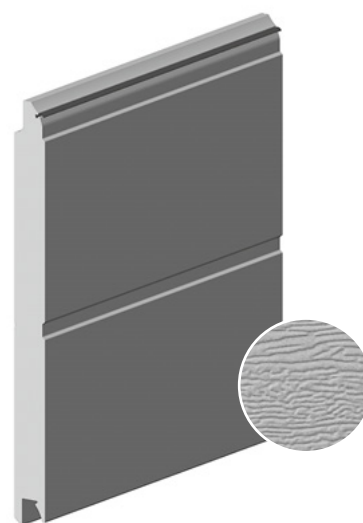
## Панель воротная

Наружная сторона: структура поверхности woodgrain с рисунком М-гофр (средний гофр).

Внутренняя сторона: структура поверхности woodgrain с горизонтальными полосами, цвет — бело-серый (близкий RAL 9002).

Толщина панели, мм ..... 40  
Единица измерения ..... м

Артикул	Код	Цвет*	Высота панели, мм	Вес, кг/м	Длина, м	Норма поставки, м
RM40.1.01-450	401022012	RAL 9016	450	4,08	12,2	305,0
RM40.1.01-500	401043512		500	4,65		
RM40.1.01-525	401051612		525	5,30		
RM40.1.02-450	401022917	RAL 8014	450	4,08	12,2	305,0
RM40.1.02-500	401043617		500	4,65		



## СТРУКТУРА ПОВЕРХНОСТИ ГЛАДКАЯ

Толщина панели, мм ..... 40  
Единица измерения ..... м

Артикул	Код	Цвет	Высота панели, мм	Вес, кг/м	Длина, м	Норма поставки, м
RM40.0.01-450	401022112	RAL 9016*	450	4,73	12,2	305,0
RM40.0.01-500	401043612		500	5,10		
RM40.0.01-525	401051712		525	5,30		
RM40.0.16-450	401020629	RAL 7016*	450	4,73	12,2	305,0
RM40.0.16-500	401041329		500	5,10		
RM40.0.16-525	401050719		525	5,30		
RM40.0.05-450	401023305	Golden Oak	450	4,83	12,2	305,0
RM40.0.05-500	401043805		500	5,19		
RM40.0.06-450	401024306	Dark Oak	450	4,83	12,2	305,0
RM40.0.06-500	401044906		500	5,19		
RM40.0.07-450	401020707	Cherry	450	4,83	12,2	305,0
RM40.0.07-500	401041407		500	5,19		

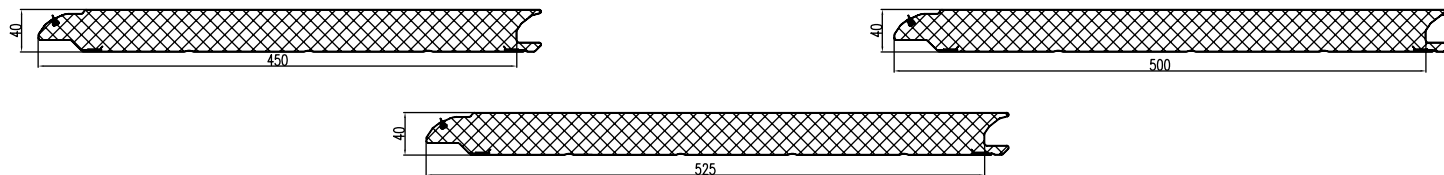


Golden Oak Dark Oak Cherry

\* Указанные цвета имеют близкое соответствие шкале RAL.

## СЭНДВИЧ-ПАНЕЛИ С РИСУНКОМ L-ГОФР

### СТРУКТУРА ПОВЕРХНОСТИ WOODGRAIN



#### Панель воротная

Наружная сторона: структура поверхности woodgrain с рисунком L-гофр (широкий гофр).

Внутренняя сторона: структура поверхности woodgrain с горизонтальными полосами, цвет — бело-серый (близкий RAL 9002).

Толщина панели, мм ..... 40  
Единица измерения ..... м

Артикул	Код	Цвет*	Высота панели, мм	Вес, кг/м	Длина, м	Норма поставки, м
RL40.1.01-450	401022212	RAL 9016	450	4,00	12,2	305,0
RL40.1.01-500	401043712		500	4,54		
RL40.1.01-525	401051812		525	5,30		
RL40.1.02-450	401023017	RAL 8014	450	4,00	12,2	305,0
RL40.1.02-500	401043717		500	4,54		



### СТРУКТУРА ПОВЕРХНОСТИ ГЛАДКАЯ

Толщина панели, мм ..... 40  
Единица измерения ..... м

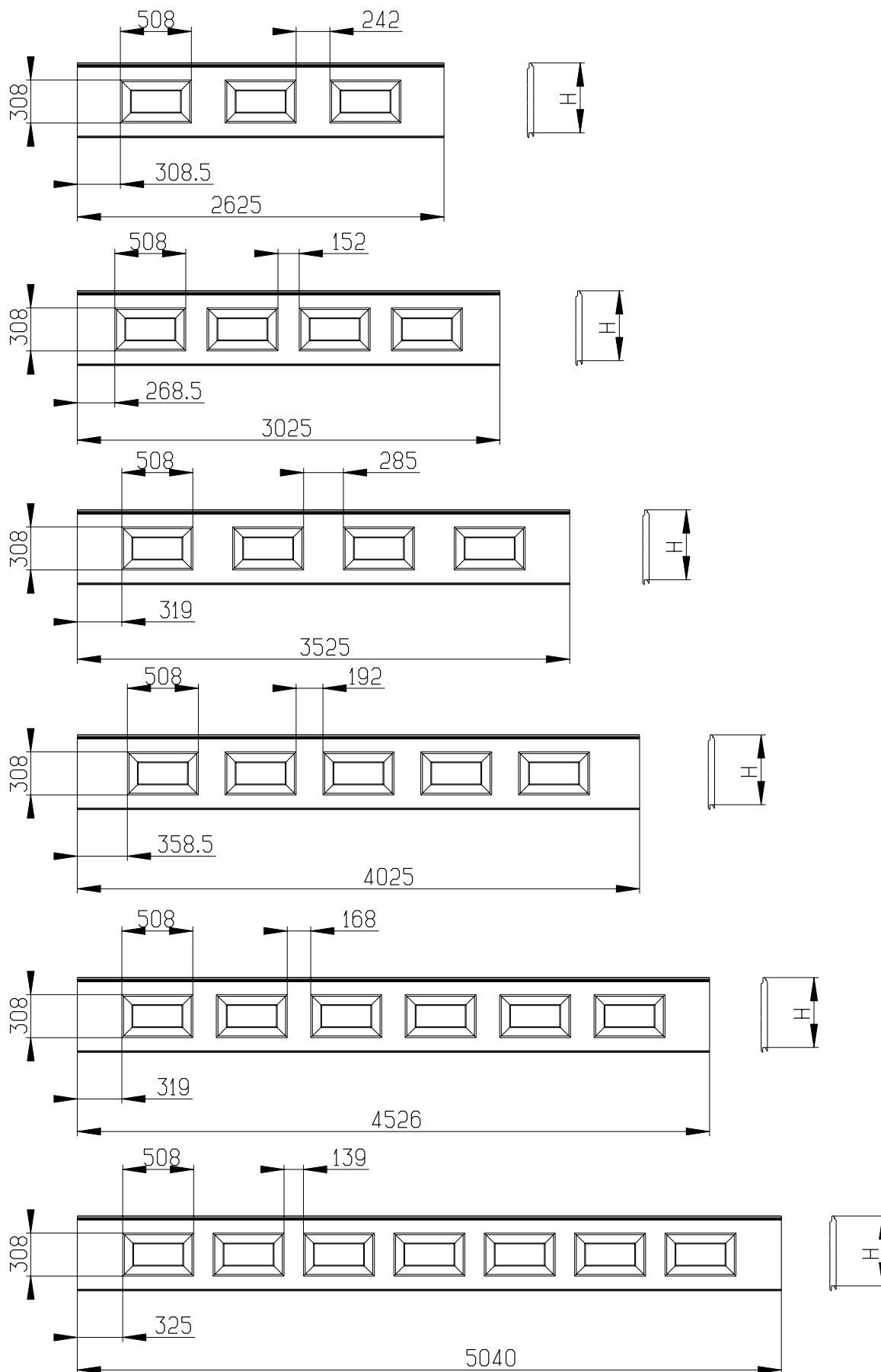
Артикул	Код	Цвет	Высота панели, мм	Вес, кг/м	Длина, м	Норма поставки, м
RL40.0.01-450	401022312	RAL 9016*	450	4,73	12,2	305,0
RL40.0.01-500	401043812		500	5,07		
RL40.0.01-525	401051912		525	5,30		
RL40.0.14-450	401020128	ADS703	450	4,73	12,2	305,0
RL40.0.14-500	401041128		500	5,07		
RL40.0.16-450	401020729	RAL 7016*	450	4,73	12,2	305,0
RL40.0.16-500	401041429		500	5,07		
RL40.0.16-525	401052012		525	5,30		
RL40.0.05-450	401023405	Golden Oak	450	4,79	12,2	305,0
RL40.0.05-500	401043905		500	5,17		
RL40.0.06-450	401024406	Dark Oak	450	4,79	12,2	305,0
RL40.0.06-500	401045006		500	5,17		
RL40.0.07-450	401020807	Cherry	450	4,79	12,2	305,0
RL40.0.07-500	401041507		500	5,17		



\* Указанные цвета имеют близкое соответствие шкале RAL.

### СЭНДВИЧ-ПАНЕЛИ С РИСУНКОМ ФИЛЕНКА

СХЕМАТИЧЕСКОЕ ИЗОБРАЖЕНИЕ



1.1

1.2

1.3

1.4

1.5

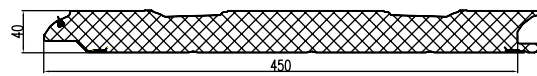
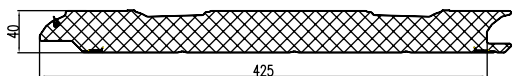
2

3

4

## СЭНДВИЧ-ПАНЕЛИ С РИСУНКОМ ФИЛЕНКА

### СТРУКТУРА ПОВЕРХНОСТИ WOODGRAIN



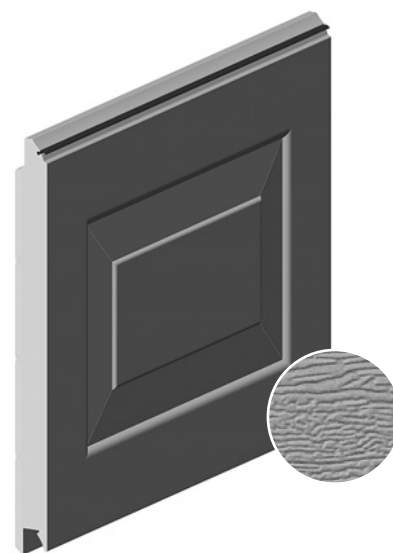
#### Панель воротная

Наружная сторона: структура поверхности woodgrain с рисунком филленка.

Внутренняя сторона: структура поверхности woodgrain с горизонтальными полосами, цвет — бело-серый (близкий RAL 9002).

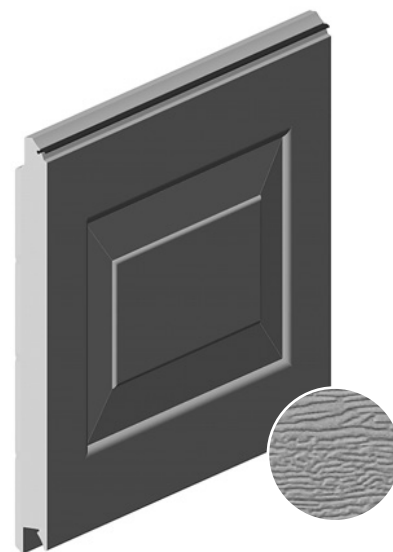
Высота панели, мм	425
Толщина панели, мм	40
Вес, кг/м	4,45
Единица измерения	м

Артикул	Код	Цвет*	Длина, м	Норма поставки, м
СТ40.1.01-425-2625	401011412	RAL 9016	2,625	57,75
СТ40.1.01-425-3025	401011512		3,025	66,55
СТ40.1.01-425-3525	401011612		3,525	77,55
СТ40.1.01-425-4025	401011112		4,025	88,55
СТ40.1.01-425-4526	401011212		4,526	99,55
СТ40.1.01-425-5040	401011312		5,040	110,88
СТ40.1.02-425-2625	401012717	RAL 8014	2,625	57,75
СТ40.1.02-425-3025	401012817		3,025	66,55
СТ40.1.02-425-3525	401012917		3,525	77,55
СТ40.1.02-425-4025	401012417		4,025	88,55
СТ40.1.02-425-4526	401012517		4,526	99,55
СТ40.1.02-425-5040	401012617		5,040	110,88



Высота панели, мм	450
Толщина панели, мм	40
Вес, кг/м	4,65
Единица измерения	м

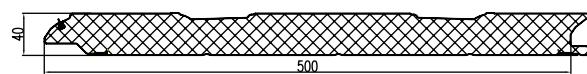
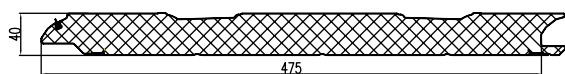
Артикул	Код	Цвет*	Длина, м	Норма поставки, м
СТ40.1.01-450-2625	401022712	RAL 9016	2,625	57,75
СТ40.1.01-450-3025	401022812		3,025	66,55
СТ40.1.01-450-3525	401022912		3,525	77,55
СТ40.1.01-450-4025	401022412		4,025	88,55
СТ40.1.01-450-4526	401022512		4,526	99,55
СТ40.1.01-450-5040	401022612		5,040	110,88
СТ40.1.02-450-2625	401023417	RAL 8014	2,625	57,75
СТ40.1.02-450-3025	401023517		3,025	66,55
СТ40.1.02-450-3525	401023617		3,525	77,55
СТ40.1.02-450-4025	401023117		4,025	88,55
СТ40.1.02-450-4526	401023217		4,526	99,55
СТ40.1.02-450-5040	401023317		5,040	110,88



\* Указанные цвета имеют близкое соответствие шкале RAL.

## СЭНДВИЧ-ПАНЕЛИ С РИСУНКОМ ФИЛЕНКА

## СТРУКТУРА ПОВЕРХНОСТИ WOODGRAIN



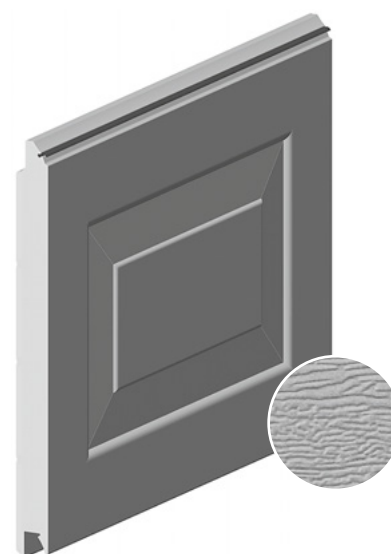
## Панель воротная

Наружная сторона: структура поверхности woodgrain с рисунком филенка.

Внутренняя сторона: структура поверхности woodgrain с горизонтальными полосами,  
цвет — бело-серый (близкий RAL 9002).

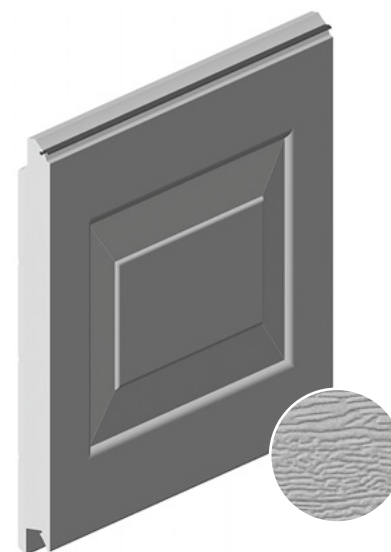
Высота панели, мм	475
Толщина панели, мм	40
Вес, кг/м	5,05
Единица измерения	м

Артикул	Код	Цвет*	Длина, м	Норма поставки, м
СТ40.1.01-475-2625	401031212	RAL 9016	2,625	57,75
СТ40.1.01-475-3025	401031312		3,025	66,55
СТ40.1.01-475-3525	401031412		3,525	77,55
СТ40.1.01-475-4025	401030912		4,025	88,55
СТ40.1.01-475-4526	401031012		4,526	99,55
СТ40.1.01-475-5040	401031112		5,040	110,88
СТ40.1.02-475-2625	401032417	RAL 8014	2,625	57,75
СТ40.1.02-475-3025	401032517		3,025	66,55
СТ40.1.02-475-3525	401032617		3,525	77,55
СТ40.1.02-475-4025	401032117		4,025	88,55
СТ40.1.02-475-4526	401032217		4,526	99,55
СТ40.1.02-475-5040	401032317		5,040	110,88



Высота панели, мм	500
Толщина панели, мм	40
Вес, кг/м	5,05
Единица измерения	м

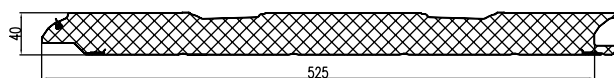
Артикул	Код	Цвет*	Длина, м	Норма поставки, м
СТ40.1.01-500-2625	401044212	RAL 9016	2,625	57,75
СТ40.1.01-500-3025	401044312		3,025	66,55
СТ40.1.01-500-3525	401044412		3,525	77,55
СТ40.1.01-500-4025	401043912		4,025	88,55
СТ40.1.01-500-4526	401044012		4,526	99,55
СТ40.1.01-500-5040	401044112		5,040	110,88
СТ40.1.02-500-2625	401044117	RAL 8014	2,625	57,75
СТ40.1.02-500-3025	401044217		3,025	66,55
СТ40.1.02-500-3525	401044317		3,525	77,55
СТ40.1.02-500-4025	401043817		4,025	88,55
СТ40.1.02-500-4526	401043917		4,526	99,55
СТ40.1.02-500-5040	401044017		5,040	110,88



\* Указанные цвета имеют близкое соответствие шкале RAL.

## СЭНДВИЧ-ПАНЕЛИ С РИСУНКОМ ФИЛЕНКА

СТРУКТУРА ПОВЕРХНОСТИ WOODGRAIN



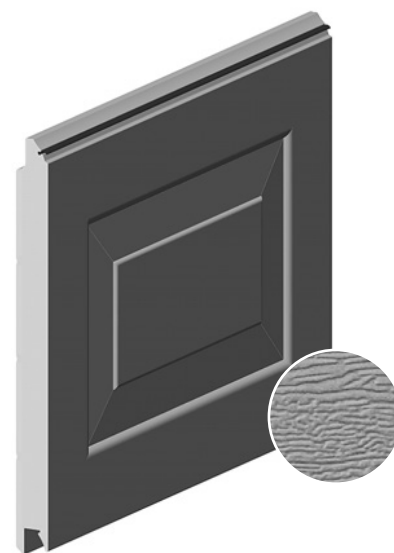
### Панель воротная

Наружная сторона: структура поверхности woodgrain с рисунком филенка.

Внутренняя сторона: структура поверхности woodgrain с горизонтальными полосами, цвет — бело-серый (близкий RAL 9002).

Высота панели, мм	525
Толщина панели, мм	40
Вес, кг/м	5,25
Единица измерения	м

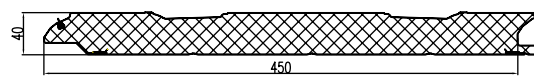
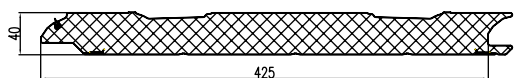
Артикул	Код	Цвет*	Длина, м	Норма поставки, м
СТ40.1.01-525-2625	401051212	RAL 9016	2,625	57,75
СТ40.1.01-525-3025	401051312		3,025	66,55
СТ40.1.01-525-3525	401051412		3,525	77,55
СТ40.1.01-525-4025	401050912		4,025	88,55
СТ40.1.01-525-4526	401051012		4,526	99,55
СТ40.1.01-525-5040	401051112		5,040	110,88
СТ40.1.02-525-2625	401052417	RAL 8014	2,625	57,75
СТ40.1.02-525-3025	401052517		3,025	66,55
СТ40.1.02-525-3525	401052617		3,525	77,55
СТ40.1.02-525-4025	401052117		4,025	88,55
СТ40.1.02-525-4526	401052217		4,526	99,55
СТ40.1.02-525-5040	401052317		5,040	110,88



\* Указанные цвета имеют близкое соответствие шкале RAL.

## СЭНДВИЧ-ПАНЕЛИ С РИСУНКОМ ФИЛЕНКА

## СТРУКТУРА ПОВЕРХНОСТИ WOODGRAIN



## Панель воротная

Наружная сторона: структура поверхности woodgrain с рисунком филленка.

Внутренняя сторона: структура поверхности woodgrain с горизонтальными полосами, цвет — бело-серый (близкий RAL 9002).

Высота панели, мм	425
Толщина панели, мм	40
Вес, кг/м	4,55
Единица измерения	м

Артикул	Код	Цвет	Длина, м	Норма поставки, м
СТ40.1.05-425-2625	401013105	Golden Oak	2,625	57,75
СТ40.1.05-425-3025	401013205		3,025	66,55
СТ40.1.05-425-3525	401013305		3,525	77,55
СТ40.1.05-425-4025	401012805		4,025	88,55
СТ40.1.05-425-4526	401012905		4,526	99,55
СТ40.1.05-425-5040	401013005		5,040	110,88
СТ40.1.06-425-2625	401013606	Dark Oak	2,625	57,75
СТ40.1.06-425-3025	401013706		3,025	66,55
СТ40.1.06-425-3525	401013806		3,525	77,55
СТ40.1.06-425-4025	401013306		4,025	88,55
СТ40.1.06-425-4526	401013406		4,526	99,55
СТ40.1.06-425-5040	401013506		5,040	110,88



Golden Oak Dark Oak

Высота панели, мм	450
Толщина панели, мм	40
Вес, кг/м	4,76
Единица измерения	м

Артикул	Код	Цвет	Длина, м	Норма поставки, м
СТ40.1.05-450-2625	401023805	Golden Oak	2,625	57,75
СТ40.1.05-450-3025	401023905		3,025	66,55
СТ40.1.05-450-3525	401024005		3,525	77,55
СТ40.1.05-450-4025	401023505		4,025	88,55
СТ40.1.05-450-4526	401023605		4,526	99,55
СТ40.1.05-450-5040	401023705		5,040	110,88
СТ40.1.06-450-2625	401024806	Dark Oak	2,625	57,75
СТ40.1.06-450-3025	401024906		3,025	66,55
СТ40.1.06-450-3525	401025006		3,525	77,55
СТ40.1.06-450-4025	401024506		4,025	88,55
СТ40.1.06-450-4526	401024606		4,526	99,55
СТ40.1.06-450-5040	401024706		5,040	110,88

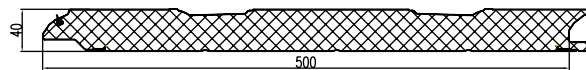
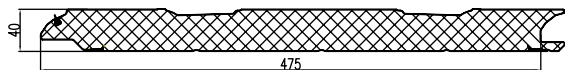


Golden Oak Dark Oak

\* Указанные цвета имеют близкое соответствие шкале RAL.

## СЭНДВИЧ-ПАНЕЛИ С РИСУНКОМ ФИЛЕНКА

### СТРУКТУРА ПОВЕРХНОСТИ WOODGRAIN



#### Панель воротная

Наружная сторона: структура поверхности woodgrain с рисунком филленка.

Внутренняя сторона: структура поверхности woodgrain с горизонтальными полосами, цвет — бело-серый (близкий RAL 9002).

Высота панели, мм	475
Толщина панели, мм	40
Вес, кг/м	4,96
Единица измерения	м

Артикул	Код	Цвет	Длина, м	Норма поставки, м
СТ40.1.05-475-2625	401032505	Golden Oak	2,625	57,75
СТ40.1.05-475-3025	401032605		3,025	66,55
СТ40.1.05-475-3525	401032705		3,525	77,55
СТ40.1.05-475-4025	401032205		4,025	88,55
СТ40.1.05-475-4526	401032305		4,526	99,55
СТ40.1.05-475-5040	401032405		5,040	110,88
СТ40.1.06-475-2625	401033806	Dark Oak	2,625	57,75
СТ40.1.06-475-3025	401033906		3,025	66,55
СТ40.1.06-475-3525	401034006		3,525	77,55
СТ40.1.06-475-4025	401033506		4,025	88,55
СТ40.1.06-475-4526	401033606		4,526	99,55
СТ40.1.06-475-5040	401033706		5,040	110,88



Высота панели, мм	500
Толщина панели, мм	40
Вес, кг/м	5,16
Единица измерения	м

Артикул	Код	Цвет	Длина, м	Норма поставки, м
СТ40.1.05-500-2625	401044305	Golden Oak	2,625	57,75
СТ40.1.05-500-3025	401044405		3,025	66,55
СТ40.1.05-500-3525	401044505		3,525	77,55
СТ40.1.05-500-4025	401044005		4,025	88,55
СТ40.1.05-500-4526	401044105		4,526	99,55
СТ40.1.05-500-5040	401044205		5,040	110,88
СТ40.1.06-500-2625	401045406	Dark Oak	2,625	57,75
СТ40.1.06-500-3025	401045506		3,025	66,55
СТ40.1.06-500-3525	401045606		3,525	77,55
СТ40.1.06-500-4025	401045106		4,025	88,55
СТ40.1.06-500-4526	401045206		4,526	99,55
СТ40.1.06-500-5040	401045306		5,040	110,88



\* Указанные цвета имеют близкое соответствие шкале RAL.



## СЭНДВИЧ-ПАНЕЛИ С РИСУНКОМ ФИЛЕНКА

СТРУКТУРА ПОВЕРХНОСТИ WOODGRAIN



## Панель воротная

Наружная сторона: структура поверхности woodgrain с рисунком филенка.

Внутренняя сторона: структура поверхности woodgrain с горизонтальными полосами, цвет — бело-серый (близкий RAL 9002).

Высота панели, мм	525
Толщина панели, мм	40
Вес, кг/м	5,37
Единица измерения	м

Артикул	Код	Цвет	Длина, м	Норма поставки, м
СТ40.1.05-525-2625	401052805	Golden Oak	2,625	57,75
СТ40.1.05-525-3025	401052905		3,025	66,55
СТ40.1.05-525-3525	401053005		3,525	77,55
СТ40.1.05-525-4025	401052505		4,025	88,55
СТ40.1.05-525-4526	401052605		4,526	99,55
СТ40.1.05-525-5040	401052705		5,040	110,88
СТ40.1.06-525-2625	401053406	Dark Oak	2,625	57,75
СТ40.1.06-525-3025	401053506		3,025	66,55
СТ40.1.06-525-3525	401053606		3,525	77,55
СТ40.1.06-525-4025	401053106		4,025	88,55
СТ40.1.06-525-4526	401053206		4,526	99,55
СТ40.1.06-525-5040	401053306		5,040	110,88



Golden Oak Dark Oak

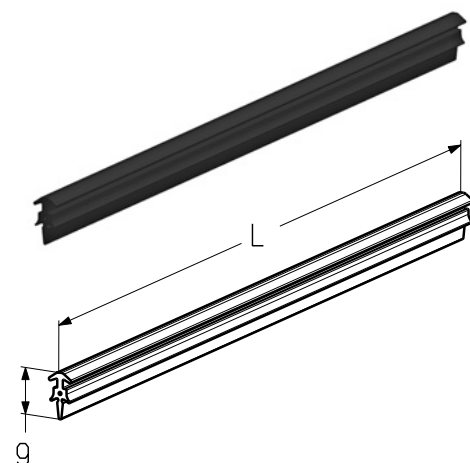
## ВСТАВКА УПЛОТНИТЕЛЬНАЯ

### Вставка уплотнительная

Предназначена для установки совместно с сэндвич-панелями всех типов.

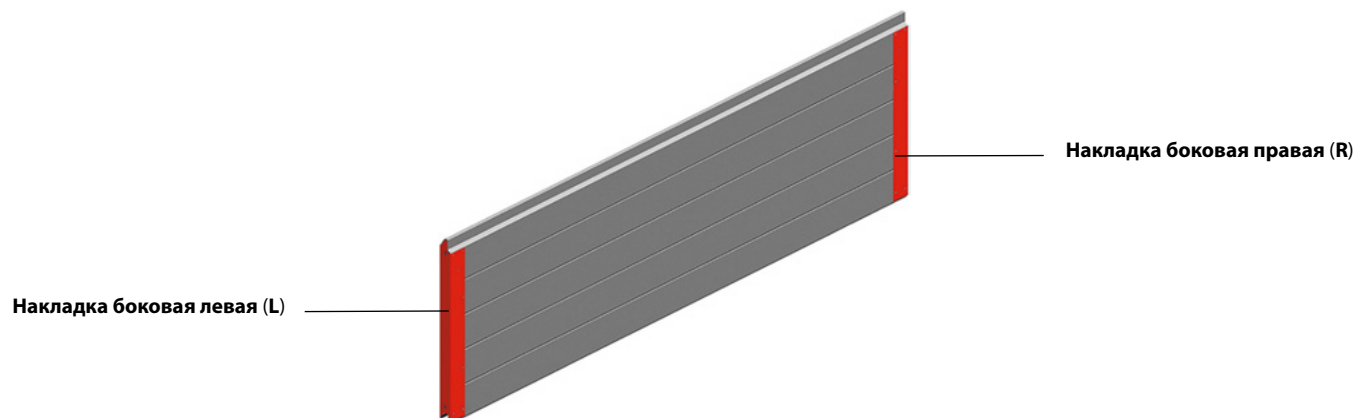
Материал ..... EPDM  
 Вес, кг/м ..... 0,13  
 Единица измерения ..... м  
 Норма поставки, м ..... 2000

Артикул	Код
RSP16	401530600



## НАКЛАДКИ БОКОВЫЕ

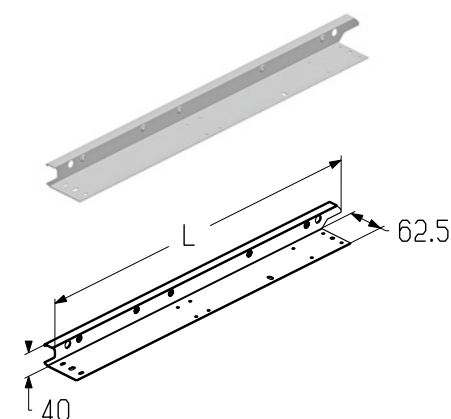
### УСТАНОВКА НАКЛАДОК БОКОВЫХ



### Накладка боковая

Предназначена для установки на торцы сэндвич-панели.  
Используется в гаражных и промышленных воротах шириной до 5000 мм.

Материал ..... оцинкованная сталь  
 Покрытие ..... полимерное  
 Цвет ..... бело-серый (близкий RAL 9002)  
 Толщина, мм ..... 1  
 Единица измерения ..... шт.

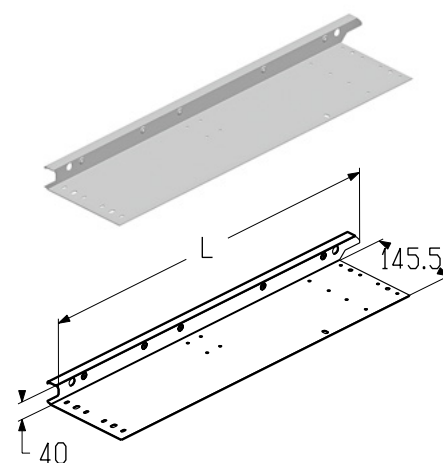


Артикул	Код	Длина (L), мм	Вес, кг/шт.	Норма поставки, шт.
ЕС-40.425L	401310310	425	0,38	42
ЕС-40.425R	401310410			
ЕС-40.450L	401320510	450	0,40	
ЕС-40.450R	401320610			
ЕС-40.475L	401330310	475	0,43	
ЕС-40.475R	401330410			
ЕС-40.500L	401340710	500	0,45	
ЕС-40.500R	401340810			
ЕС-40.525L	401350310	525	0,47	
ЕС-40.525R	401350410			
ЕС-40.625L	401390710	625	0,57	
ЕС-40.625R	401390810			

### Накладка боковая

Предназначена для установки на торцы сэндвич-панели.  
Используется в гаражных и промышленных воротах шириной более 5000 мм.

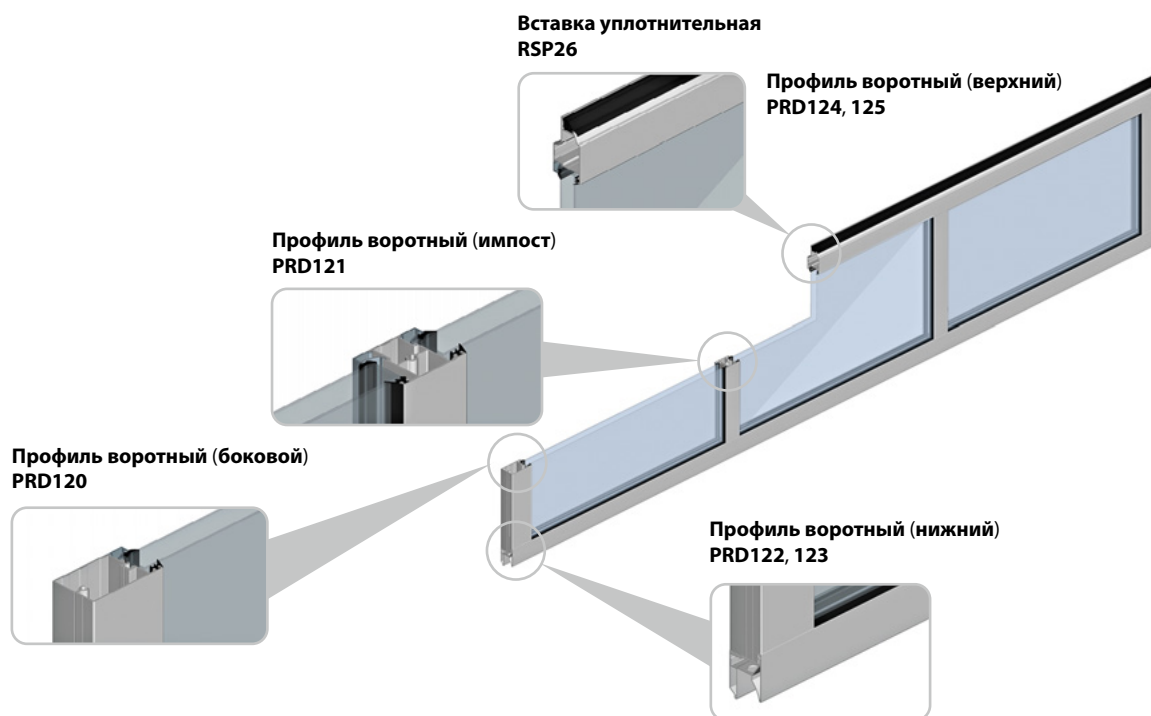
Материал ..... оцинкованная сталь  
 Покрытие ..... полимерное  
 Цвет ..... бело-серый (близкий RAL 9002)  
 Толщина, мм ..... 1  
 Единица измерения ..... шт.



Артикул	Код	Длина (L), мм	Вес, кг/шт.	Норма поставки, шт.
ЕС-40.450DL	401320710	450	0,67	36
ЕС-40.450DR	401320810			
ЕС-40.500DL	401340910	500	0,75	
ЕС-40.500DR	401341010			
ЕС-40.525DL	401350510	525	0,79	
ЕС-40.525DR	401350610			
ЕС-40.625DL	401390910	625	0,95	33
ЕС-40.625DR	401391010			

## АЛЮМИНИЕВЫЕ ПРОФИЛИ ДЛЯ ПАНОРАМНЫХ ПАНЕЛЕЙ

ТИПОВАЯ КОНСТРУКЦИЯ  
ПАНОРАМНОЙ ПАНЕЛИ ALUTREND



## АЛЮМИНИЕВЫЕ ПРОФИЛИ ДЛЯ ПАНОРАМНЫХ ПАНЕЛЕЙ

ТИПЫ ПАНОРАМНЫХ ПАНЕЛЕЙ И ВАРИАНТЫ ЗАПОЛНЕНИЯ  
СЕРИЯ ALUTREND**Двойное SAN-остекление**  
26 мм**Композитное заполнение**  
3 мм**Композитное заполнение**  
26 мм**Решетчатое заполнение**  
4 мм

1.1

1.2

1.3

1.4

1.5

2

3

4

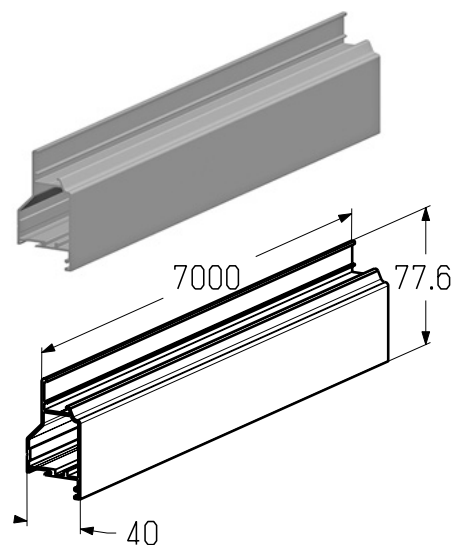
## АЛЮМИНИЕВЫЕ ПРОФИЛИ ДЛЯ ПАНОРАМНЫХ ПАНЕЛЕЙ

### Профиль воротный (верхний)

Используется для изготовления панорамных панелей AluTrend.  
Применяется совместно с сэндвич-панелью с рисунком микроволна.

Материал .....	алюминий
Длина, мм .....	7000
Вес, кг/м .....	0,93
Единица измерения .....	м
Норма поставки, м .....	28

Артикул	Код	Цвет* Степень блеска
PRD124	481009400	RAL 9016 30
	481009100	RAL 9006 30
	481009300	RAL 8017 30
	481009200	RAL 8014 30
	401110429	RAL 7016 30
	402982161	RAL 6005 30
	481009500	RAL 5010 30
	402982159	RAL 3004 30
402982158	RAL 1015 30	

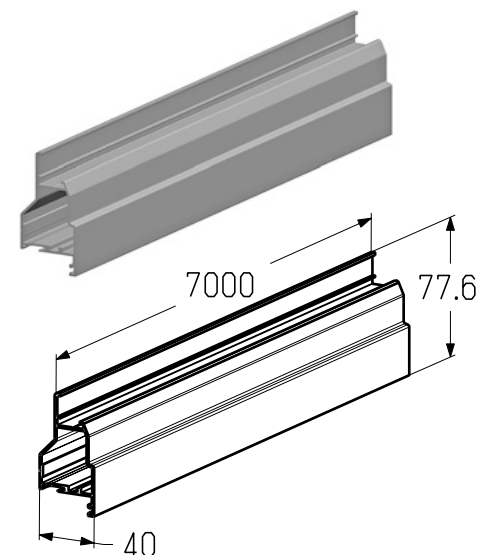


### Профиль воротный (верхний)

Используется для изготовления панорамных панелей AluTrend.  
Применяется совместно с сэндвич-панелью с рисунком S-гофр.

Материал .....	алюминий
Длина, мм .....	7000
Вес, кг/м .....	0,93
Единица измерения .....	м
Норма поставки, м .....	28

Артикул	Код	Цвет* Степень блеска
PRD125	481009900	RAL 9016 30
	481009600	RAL 9006 30
	481009800	RAL 8017 30
	481009700	RAL 8014 30
	401110529	RAL 7016 30
	402982190	RAL 6005 30
	481010000	RAL 5010 30
	402982188	RAL 3004 30
402982100	RAL 1015 30	



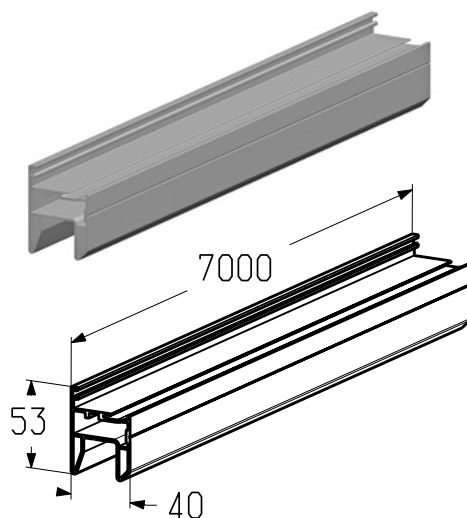
### Профиль воротный (нижний)

Используется для изготовления панорамных панелей AluTrend. Применяется в панорамных воротах:

- шириной до 4000 мм;
- шириной от 5005 мм с установкой профиля усиливающего (PRG20).

Материал .....	алюминий
Длина, мм .....	7000
Вес, кг/м .....	0,98
Единица измерения .....	м
Норма поставки, м .....	28

Артикул	Код	Цвет* Степень блеска
PRD122	481008400	RAL 9016 30
	481008100	RAL 9006 30
	481008300	RAL 8017 30
	481008200	RAL 8014 30
	401130329	RAL 7016 30
	402982103	RAL 6005 30
	481008500	RAL 5010 30
	402982101	RAL 3004 30
	402982100	RAL 1015 30



\* Указанные цвета имеют близкое соответствие шкале RAL.

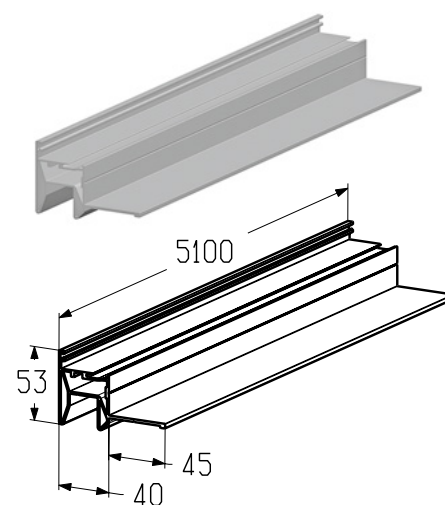
## АЛЮМИНИЕВЫЕ ПРОФИЛИ ДЛЯ ПАНОРАМНЫХ ПАНЕЛЕЙ

**Профиль воротный (нижний)**

Используется для изготовления панорамных панелей AluTrend.  
Применяется в панорамных воротах шириной от 4005 до 5000 мм.

Материал .....	алюминий
Длина, мм .....	5100
Вес, кг/м .....	1,29
Единица измерения .....	м
Норма поставки, м .....	20,4

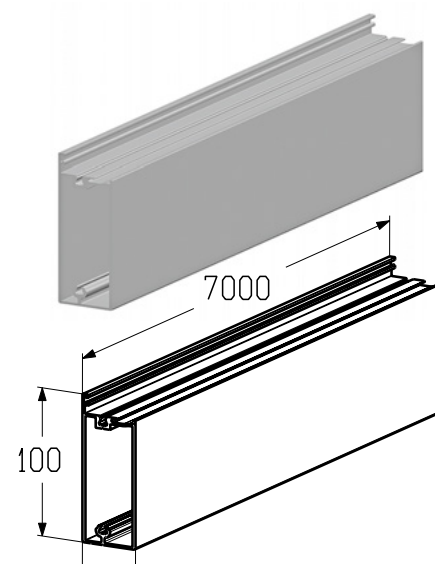
Артикул	Код	Цвет* Степень блеска
PRD123	481008900	RAL 9016 30
	481008600	RAL 9006 30
	481008800	RAL 8017 30
	481008700	RAL 8014 30
	401130429	RAL 7016 30
	402982132	RAL 6005 30
	481009000	RAL 5010 30
	402982130	RAL 3004 30
	402982129	RAL 1015 30

**Профиль воротный (боковой)**

Используется для изготовления панорамных панелей AluTrend.

Материал .....	алюминий
Длина, мм .....	7000
Вес, кг/м .....	1,74
Единица измерения .....	м
Норма поставки, м .....	14

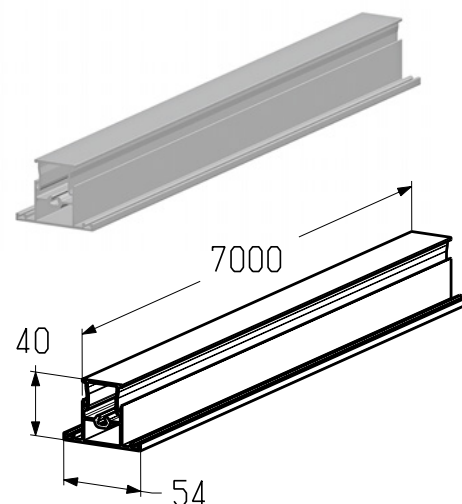
Артикул	Код	Цвет* Степень блеска
PRD120	481007400	RAL 9016 30
	481007100	RAL 9006 30
	481007300	RAL 8017 30
	481007200	RAL 8014 30
	401120229	RAL 7016 30
	402982045	RAL 6005 30
	481007500	RAL 5010 30
	402982043	RAL 3004 30
	402982042	RAL 1015 30

**Профиль воротный (импост)**

Используется для изготовления панорамных панелей AluTrend.

Материал .....	алюминий
Длина, мм .....	7000
Вес, кг/м .....	0,87
Единица измерения .....	м
Норма поставки, м .....	42

Артикул	Код	Цвет* Степень блеска
PRD121	481007900	RAL 9016 30
	481007600	RAL 9006 30
	481007800	RAL 8017 30
	481007700	RAL 8014 30
	401140229	RAL 7016 30
	402982074	RAL 6005 30
	481008000	RAL 5010 30
	402982072	RAL 3004 30
	402982071	RAL 1015 30



\* Указанные цвета имеют близкое соответствие шкале RAL.

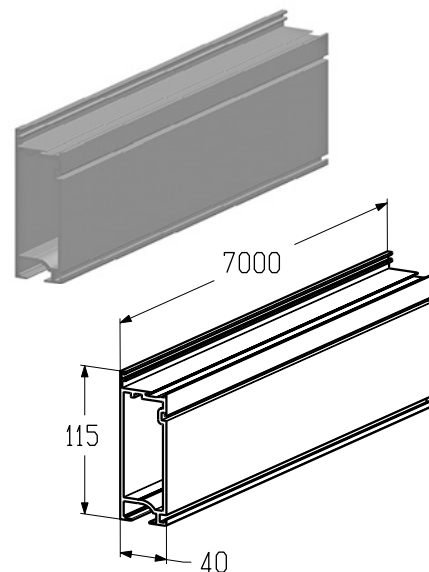
## АЛЮМИНИЕВЫЕ ПРОФИЛИ ДЛЯ ПАНОРАМНЫХ ПАНЕЛЕЙ

### Профиль воротный (нижний концевой)

Используется для изготовления панорамных панелей AluTrend.

Материал ..... алюминий  
 Длина, мм ..... 7000  
 Вес, кг/м ..... 2,53  
 Единица измерения ..... м  
 Норма поставки, м ..... 14

Артикул	Код	Цвет* Степень блеска
PRD126	481010400	RAL 9016 30
	481010100	RAL 9006 30
	481010300	RAL 8017 30
	481010200	RAL 8014 30
	401110629	RAL 7016 30
	402982219	RAL 6005 30
	481010500	RAL 5010 30
	402982217	RAL 3004 30
402982216	RAL 1015 30	

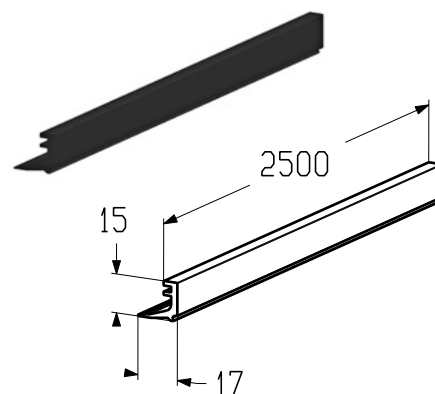


### Профиль воротный (штапик)

Используется для изготовления панорамных панелей AluTrend совместно со светопрозрачными или композитными вставками толщиной 26 мм.

Материал ..... RPVC  
 Длина, мм ..... 2500  
 Вес, кг/м ..... 0,01  
 Единица измерения ..... м  
 Норма поставки, м ..... 125

Артикул	Код
PRP01	401150130

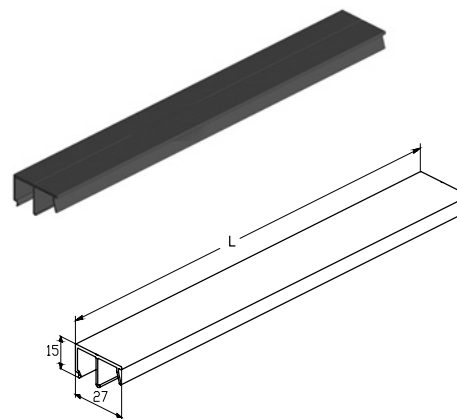


### Профиль воротный (штапик)

Используется для изготовления панорамных панелей AluTrend совместно со светопрозрачными или композитными вставками толщиной 3 мм, решетками и перфорированными листами.

Материал ..... алюминий  
 Длина, мм ..... 6000  
 Вес, кг/м ..... 0,211  
 Цвет ..... RAL 9005|30  
 Единица измерения ..... м  
 Норма поставки, м ..... 300

Артикул	Код
PRD98	402982465



\* Указанные цвета имеют близкое соответствие шкале RAL.



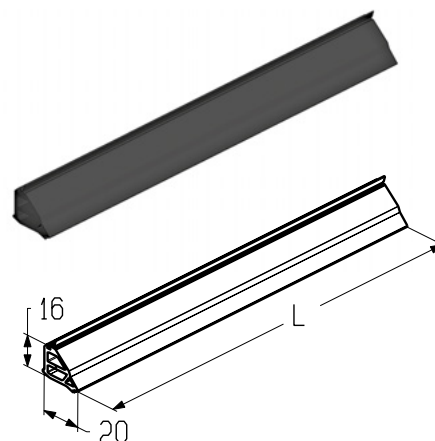
## АЛЮМИНИЕВЫЕ ПРОФИЛИ ДЛЯ ПАНОРАМНЫХ ПАНЕЛЕЙ

**Вставка уплотнительная**

Используется для изготовления панорамных панелей AluTrend.  
Предназначена для установки в профиль воротный верхний (PRD124, 125).

Материал .....	EPDM
Вес, кг/м .....	0,163
Единица измерения .....	м
Норма поставки, м .....	100

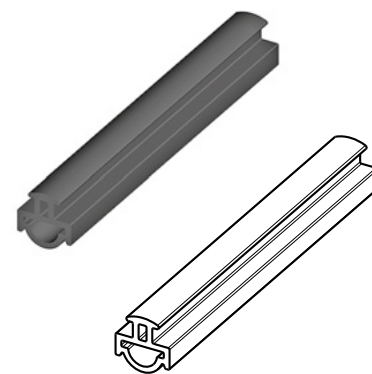
Артикул	Код
RSP26	401530700

**Уплотнитель резиновый**

Используется для изготовления панорамных панелей AluTrend.  
Предназначен для установки с наружной стороны ворот совместно со светопрозрачной вставкой толщиной 26 мм, 3 мм или композитной вставкой толщиной 26 мм и 3 мм, решетками или перфорированными листами для заполнения панорамных секций.

Материал .....	EPDM
Вес, кг/м .....	0,05
Единица измерения .....	м
Норма поставки, м .....	500

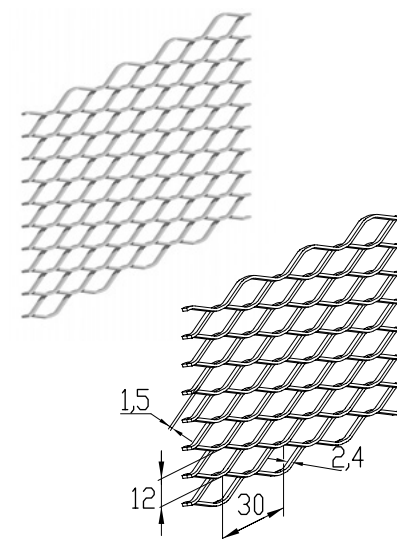
Артикул	Код
FRK07	10210600

**Решетка для панорамной панели стальная**

Используется для заполнения панорамных панелей AluTrend.

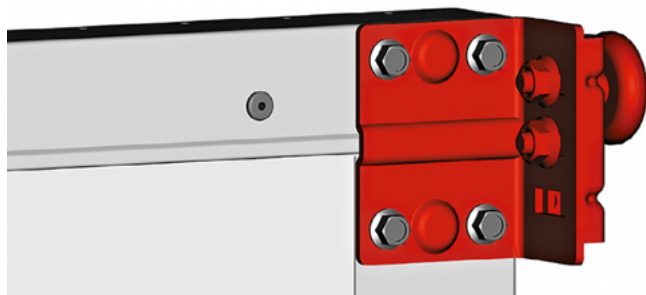
Материал .....	оцинкованная сталь
Толщина, мм .....	4,0
Вес, кг/м <sup>2</sup> .....	0,44
Единица измерения .....	м <sup>2</sup>
Норма поставки, м .....	3,125

Артикул	Код
GG-58	401192200

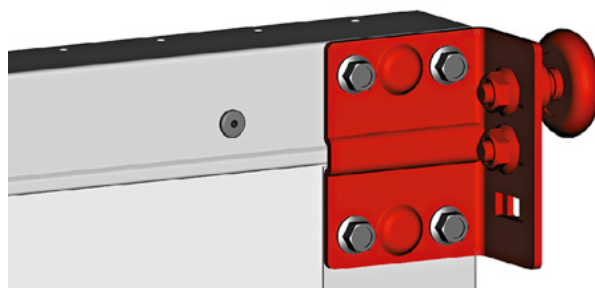


## КРОНШТЕЙНЫ И ПЕТЛИ ДЛЯ СБОРКИ ПОЛОТНА ВОРОТ

### УСТАНОВКА КРОНШТЕЙНА РОЛИКОВОГО ВЕРХНЕГО ДЛЯ ГАРАЖНЫХ ВОРОТ



**Кронштейн роликовый верхний для гаражных ворот с пружинами растяжения**



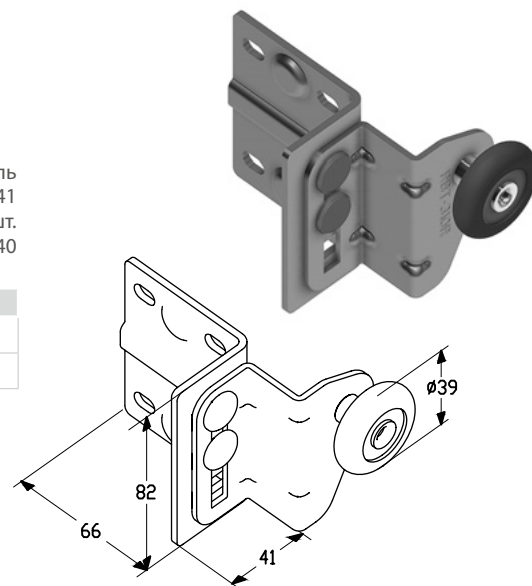
**Кронштейн роликовый верхний для гаражных ворот с торсионными пружинами**

#### Кронштейн роликовый верхний

Предназначен для установки на верхнюю панель полотна ворот. Используется в гаражных воротах с пружинами растяжения.

Материал ..... Оцинкованная сталь  
 Вес, кг/шт. .... 0,41  
 Единица измерения ..... шт.  
 Норма поставки, шт. .... 40

Артикул	Код	Применение
RBT-310L	401210600	Левый
RBT-310R	401210700	Правый

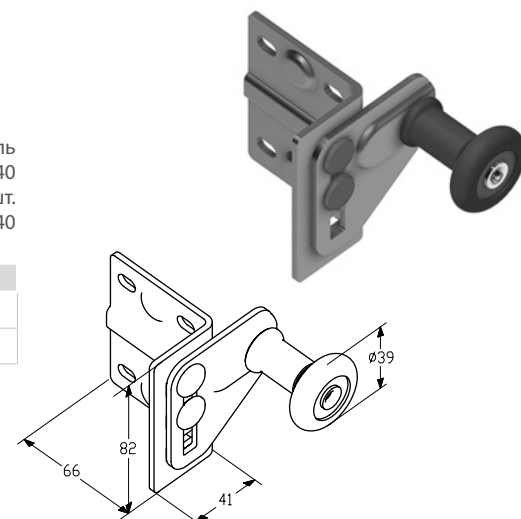


#### Кронштейн роликовый верхний

Предназначен для установки на верхнюю панель полотна ворот. Используется в гаражных воротах с торсионными пружинами стандартного и низкого типов монтажа.

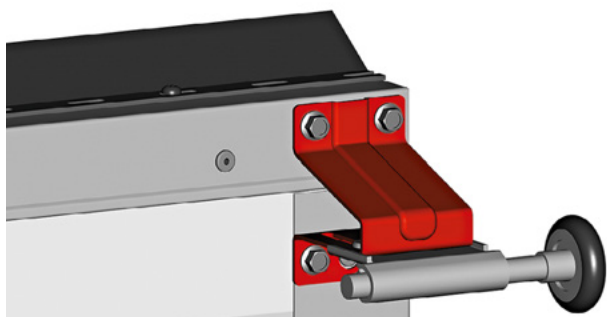
Материал ..... Оцинкованная сталь  
 Вес, кг/шт. .... 0,40  
 Единица измерения ..... шт.  
 Норма поставки, шт. .... 40

Артикул	Код	Применение
RBT-320L	401210800	Левый
RBT-320R	401210900	Правый



## КРОНШТЕЙНЫ И ПЕТЛИ ДЛЯ СБОРКИ ПОЛОТНА ВОРОТ

## УСТАНОВКА КРОНШТЕЙНА РОЛИКОВОГО ВЕРХНЕГО ДЛЯ ПРОМЫШЛЕННЫХ ВОРОТ



**Кронштейн роликовый верхний  
для промышленных ворот всех типов монтажа  
(кроме низких)**



**Кронштейн верхний роликовый  
для промышленных ворот низких типов монтажа  
(кроме низкого с передним расположением вала (тип 2))**

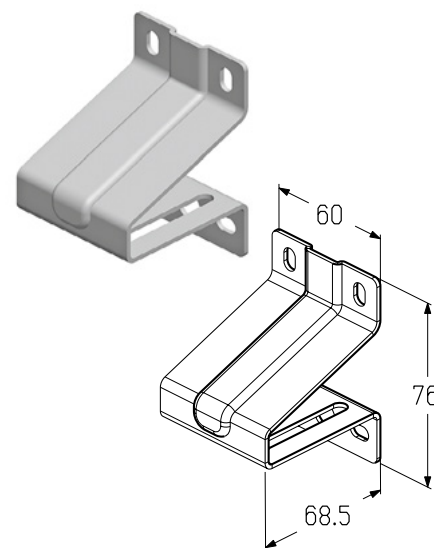
**Кронштейн роликовый верхний**

Предназначен для установки на верхнюю панель полотна ворот.  
Используется:

- в гаражных воротах высокого типа монтажа;
- в промышленных воротах всех типов монтажа (кроме низких).

Материал ..... оцинкованная сталь  
Вес, кг/шт. .... 0,157  
Единица измерения ..... шт.  
Норма поставки, шт. .... 120

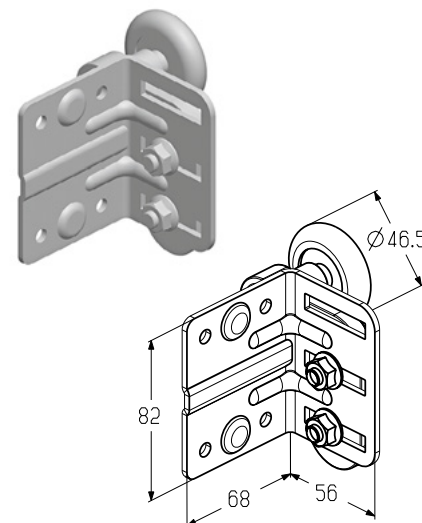
Артикул	Код
RBI-40.127	401211400

**Кронштейн роликовый верхний**

Предназначен для установки на верхнюю панель полотна ворот.  
Используется в промышленных воротах низкого, наклонного низкого, низкого с передним расположением вала типов монтажа при ширине ворот до 5000 мм (включительно).

Материал ..... оцинкованная сталь  
Вес, кг/шт. .... 0,414  
Единица измерения ..... шт.  
Норма поставки, шт. .... 40

Артикул	Код	Применение
RBI-40.126L	402601300	Левый
RBI-40.126R	402601400	Правый



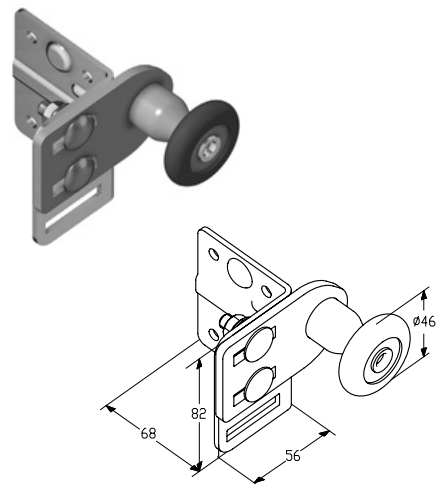
## КРОНШТЕЙНЫ И ПЕТЛИ ДЛЯ СБОРКИ ПОЛОТНА ВОРОТ

### Кронштейн роликовый верхний

Предназначен для установки на верхнюю панель полотна ворот.  
Применяется в промышленных воротах низкого, наклонного низкого и низкого с передним расположением вала типов монтажа при ширине полотна более 5000 мм.

Материал ..... нержавеющая сталь  
Вес, кг / шт. .... 0,54  
Единица измерения ..... шт.  
Норма поставки, шт. .... 40

Артикул	Код
B-700ATS	406136707

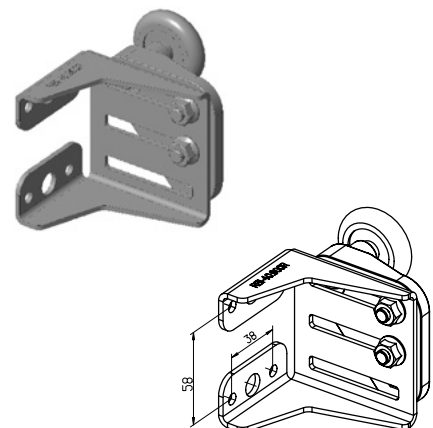


### Кронштейн роликовый верхний

Предназначен для установки на верхнюю панель полотна ворот.  
Используется для низкого с передним расположением вала (тип 2) монтажа.

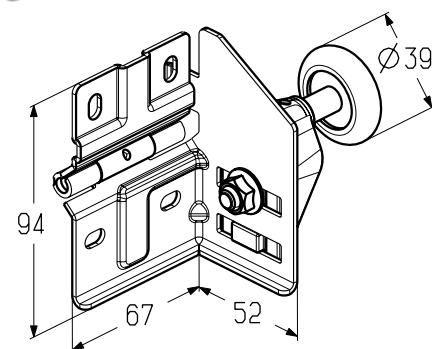
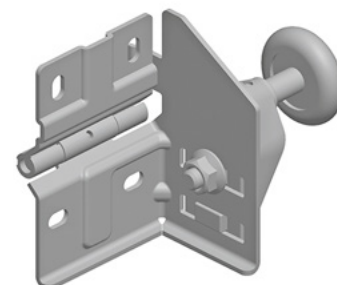
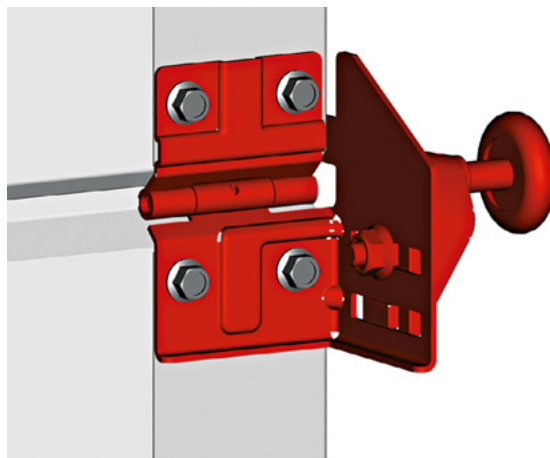
Материал ..... оцинкованная сталь  
Вес, кг / шт. .... 0,70  
Единица измерения ..... шт.  
Норма поставки, шт. .... 40

Артикул	Код	Применение
RBI-40.900L	406136812	Левый
RBI-40.900R	406136813	Правый



## КРОНШТЕЙНЫ И ПЕТЛИ ДЛЯ СБОРКИ ПОЛОТНА ВОРОТ

## УСТАНОВКА КРОНШТЕЙНА БОКОВОГО ДЛЯ ГАРАЖНЫХ ВОРОТ

**Кронштейн роликовый боковой**

Предназначен для установки:

- на промежуточные панели гаражных ворот стандартного типа монтажа (торсионные пружины);
- на промежуточные панели гаражных ворот с пружинами растяжения и низкого типа монтажа (торсионные пружины), исключая вторую панель сверху, если верхняя панель меньше 300 мм.

Материал ..... оцинкованная сталь/цинковый сплав  
 Вес, кг/шт. .... 0,336  
 Единица измерения ..... шт.  
 Норма поставки, шт. .... 40

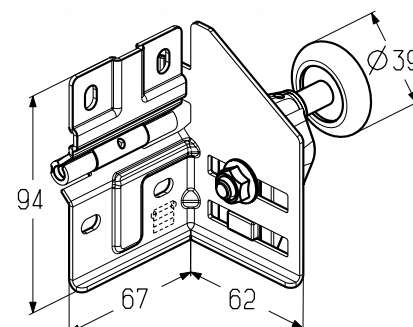
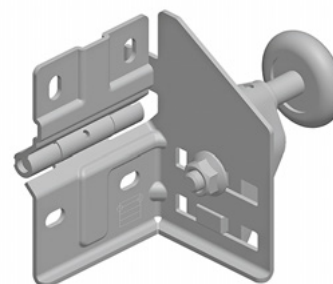
Артикул	Код	Применение
RBT-200L	401221000	Левый
RBT-200R	401221100	Правый

**Кронштейн роликовый верхний**

Предназначен для установки на вторую панель сверху гаражных ворот с пружинами растяжения и низкого типа монтажа (торсионные пружины), если верхняя панель меньше 300 мм.

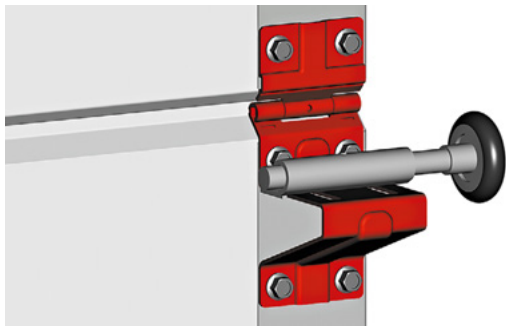
Материал ..... оцинкованная сталь/цинковый сплав  
 Вес, кг/шт. .... 0,414  
 Единица измерения ..... шт.  
 Норма поставки, шт. .... 40

Артикул	Код	Применение
RBT-210L	401221200	Левый
RBT-210R	401221300	Правый

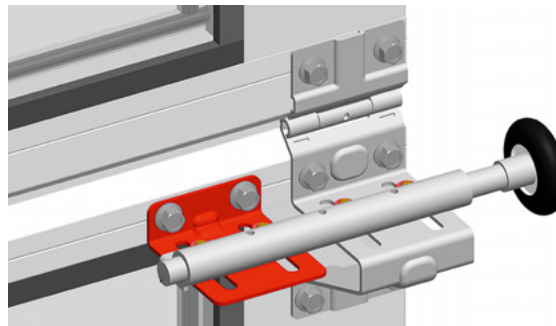


## КРОНШТЕЙНЫ И ПЕТЛИ ДЛЯ СБОРКИ ПОЛОТНА ВОРОТ

### УСТАНОВКА КРОНШТЕЙНА РОЛИКОВОГО БОКОВОГО ДЛЯ ПРОМЫШЛЕННЫХ ВОРОТ



Установка на промежуточные панели промышленных ворот



Установка на промежуточные панели панорамных ворот

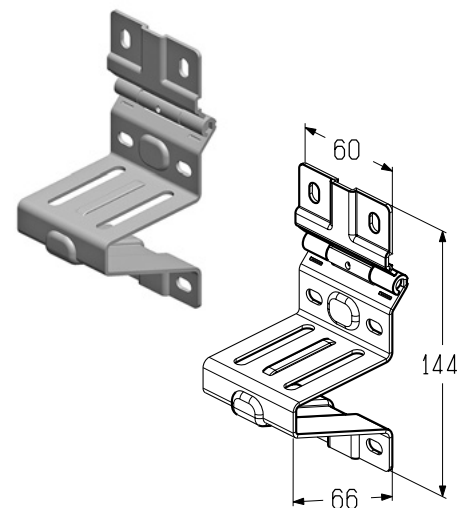
#### Кронштейн роликовый боковой

Предназначен для установки на промежуточные панели полотна ворот.

Используется:

- в гаражных воротах высокого типа монтажа;
- в промышленных воротах всех типов монтажа.

Материал ..... оцинкованная сталь  
 Вес, кг/шт. .... 0,253  
 Единица измерения ..... шт.  
 Норма поставки, шт. .... 60



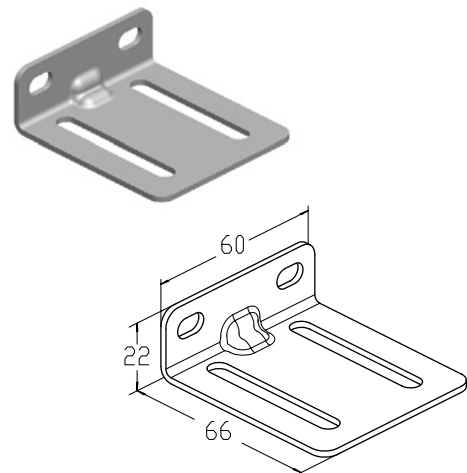
Артикул	Код
RBI-40.123	402601100

#### Кронштейн роликовый боковой

Предназначен для установки на промежуточные и верхнюю панорамные панели AluTrend.

Устанавливается совместно с кронштейном боковым (RBI-40.123). Используется в гаражных и промышленных воротах с панорамными панелями при ширине проема более 5 м.

Материал ..... нержавеющая сталь  
 Вес, кг ..... 0,07  
 Единица измерения ..... шт.  
 Норма поставки, шт. .... 60

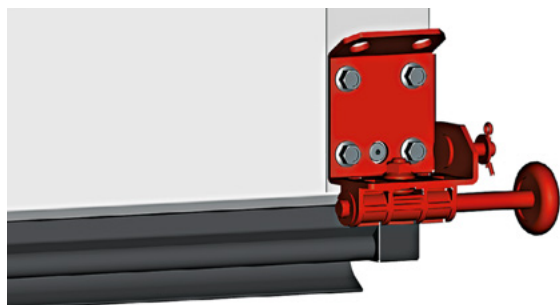


Артикул	Код
RBI-40.124	401222200

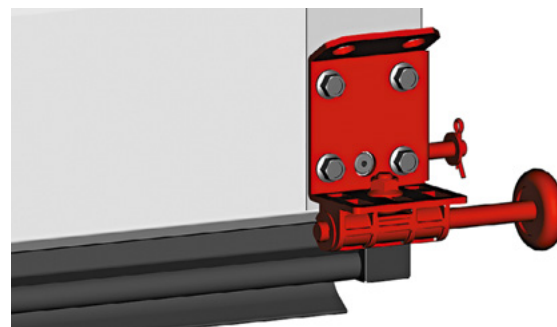
\* Опционально в гаражных воротах до 5 м.

## КРОНШТЕЙНЫ И ПЕТЛИ ДЛЯ СБОРКИ ПОЛОТНА ВОРОТ

## УСТАНОВКА КРОНШТЕЙНА НИЖНЕГО ДЛЯ ГАРАЖНЫХ ВОРОТ



**Кронштейн роликовый нижний  
для гаражных ворот с пружинами растяжения**



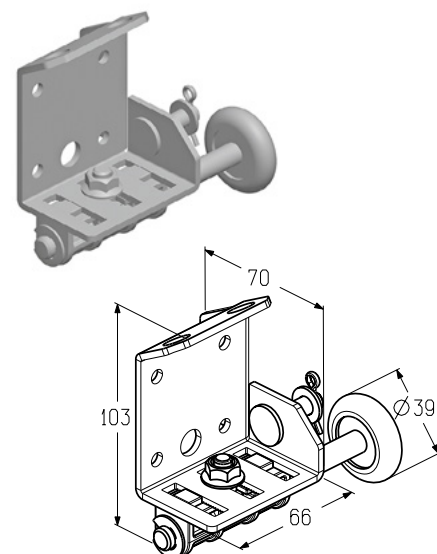
**Кронштейн роликовый нижний  
для гаражных ворот с торсионными пружинами**

**Кронштейн роликовый нижний**

Предназначен для установки на нижнюю панель полотна ворот.  
Используется в гаражных воротах с пружинами растяжения.

Материал ..... оцинкованная сталь/цинковый сплав  
Вес, кг/шт. .... 0,448  
Единица измерения ..... шт.  
Норма поставки, шт. .... 40

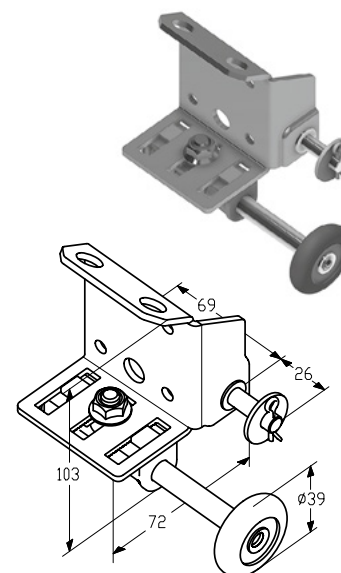
Артикул	Код	Применение
RBT-100L	401232200	Левый
RBT-100R	401232300	Правый

**Кронштейн роликовый нижний**

Предназначен для установки на нижнюю панель полотна ворот.  
Используется в гаражных воротах с торсионными пружинами.

Материал ..... оцинкованная сталь/цинковый сплав  
Вес, кг/шт. .... 0,40  
Единица измерения ..... шт.  
Норма поставки, шт. .... 40

Артикул	Код	Применение
RBT-110L	401232400	Левый
RBT-110R	401232500	Правый



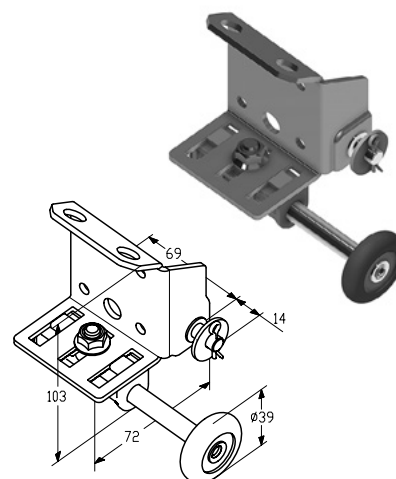
## КРОНШТЕЙНЫ И ПЕТЛИ ДЛЯ СБОРКИ ПОЛОТНА ВОРОТ

### Кронштейн роликовый нижний

Предназначен для установки на нижнюю панель полотна ворот.  
Используется в гаражных воротах высокого типа монтажа с торсионными пружинами.

Материал ..... оцинкованная сталь/цинковый сплав  
Вес, кг ..... 0,41  
Единица измерения ..... шт.  
Норма поставки, шт. .... 40

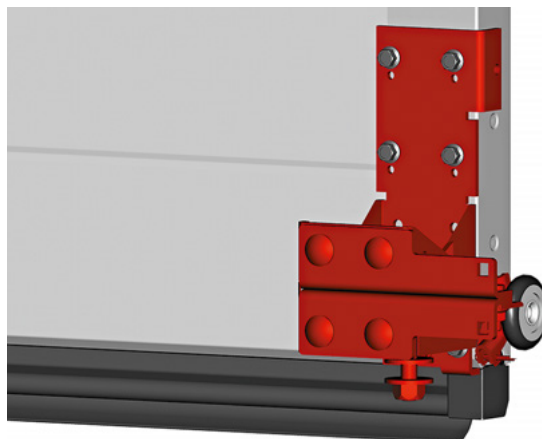
Артикул	Код	Применение
RBT-120L	406136678	Левый
RBT-120R	406136679	Правый





## КРОНШТЕЙНЫ И ПЕТЛИ ДЛЯ СБОРКИ ПОЛОТНА ВОРОТ

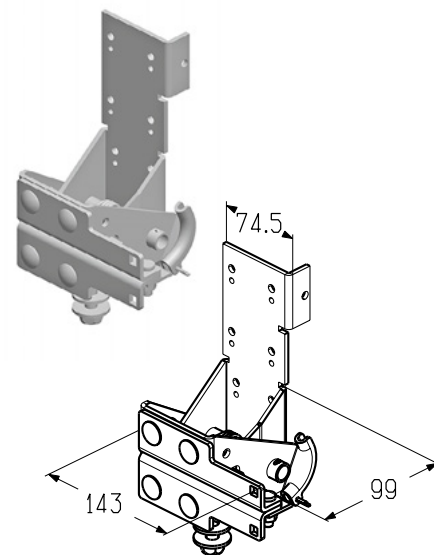
## УСТАНОВКА КРОНШТЕЙНА РОЛИКОВОГО НИЖНЕГО ДЛЯ ПРОМЫШЛЕННЫХ ВОРОТ

**Кронштейн роликовый нижний**

Предназначен для защиты от падения полотна промышленных ворот при обрыве троса. Устанавливается на нижнюю панель полотна ворот. Используется в промышленных воротах всех типов монтажа (кроме низкого с передним расположением вала (тип 2)) шириной до 5 м включительно.

Материал ..... оцинкованная сталь  
 Вес, кг/шт. .... 2,26  
 Единица измерения ..... шт.  
 Норма поставки, шт. .... 6

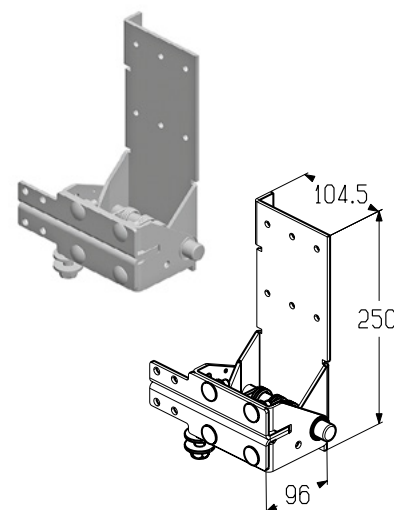
Артикул	Код	Применение
RBI-40.110L	401232600	Левый
RBI-40.110R	401232700	Правый

**Кронштейн роликовый нижний**

Предназначен для защиты от падения полотна промышленных ворот при обрыве троса. Устанавливается на нижнюю панель полотна ворот. Используется в промышленных воротах всех типов монтажа (кроме низкого с передним расположением вала (тип 2)) шириной более 5 м.

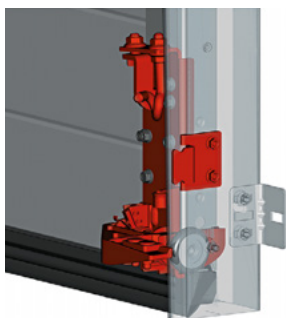
Материал ..... оцинкованная сталь  
 Вес, кг/шт. .... 2,57  
 Единица измерения ..... шт.  
 Норма поставки, шт. .... 2

Артикул	Код	Применение
RBI-40.110DL	401232800	Левый
RBI-40.110DR	401232900	Правый

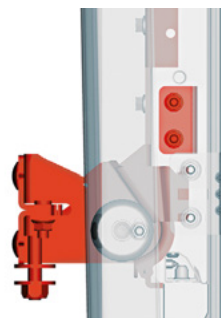
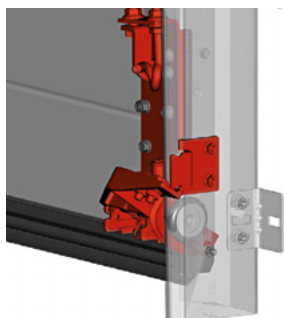


## КРОНШТЕЙНЫ И ПЕТЛИ ДЛЯ СБОРКИ ПОЛОТНА ВОРОТ

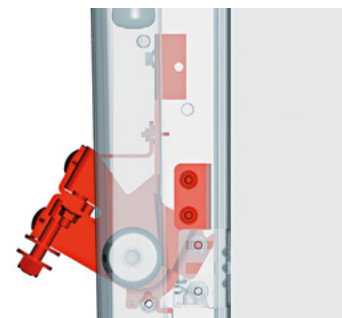
### УСТАНОВКА КРОНШТЕЙНА РОЛИКОВОГО НИЖНЕГО ДЛЯ ПРОМЫШЛЕННЫХ ВОРОТ



**Кронштейн роликовый нижний  
(RBI-40.100L/R)**



**Кронштейн роликовый нижний  
(RBI-40.120L/R)**



### Кронштейн роликовый нижний

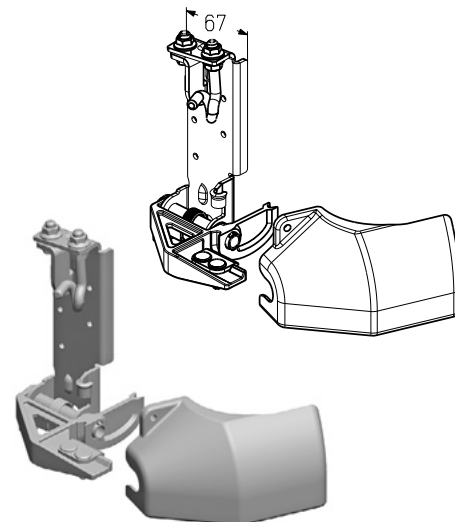
Предназначен:

- для защиты от падения полотна промышленных ворот при обрыве троса;
- для защиты промышленных ворот с навальным электроприводом от поддомкрачивания.

Обеспечивает возможность натяжения троса. Устанавливается на нижнюю панель полотна ворот. Используется в промышленных воротах всех типов монтажа (кроме низких с передним расположением вала) шириной до 5 м включительно и площадью до 25 м<sup>2</sup>.

Материал ..... оцинкованная сталь  
 Вес, кг/шт. .... 1,64  
 Единица измерения ..... шт.  
 Норма поставки, шт. .... 4

Артикул	Код	Применение
RBI-40.100L	402601500	Левый
RBI-40.100R	402601600	Правый



### Кронштейн роликовый нижний

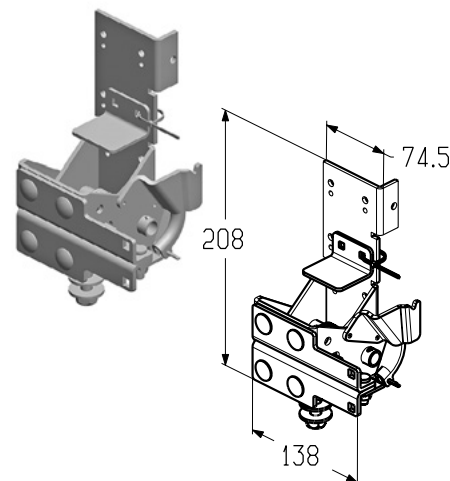
Предназначен:

- для защиты от падения полотна промышленных ворот при обрыве троса;
- для защиты промышленных ворот с навальным электроприводом от поддомкрачивания.

Устанавливается на нижнюю панель полотна ворот. Используется в промышленных воротах всех типов монтажа (кроме низких с передним расположением вала) шириной до 5 м включительно.

Материал ..... оцинкованная сталь  
 Вес, кг/шт. .... 2,27  
 Единица измерения ..... шт.  
 Норма поставки, шт. .... 5

Артикул	Код	Применение
RBI-40.120L	401234200	Левый
RBI-40.120R	401234300	Правый



## КРОНШТЕЙНЫ И ПЕТЛИ ДЛЯ СБОРКИ ПОЛОТНА ВОРОТ

## Кронштейн роликовый нижний

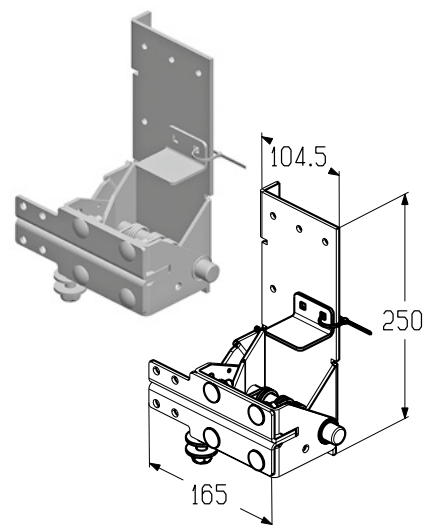
Предназначен:

- для защиты от падения полотна промышленных ворот при обрыве троса;
- для защиты промышленных ворот с навальным электроприводом от поддомкрачивания.

Устанавливается на нижнюю панель полотна ворот. Используется в промышленных воротах всех типов монтажа шириной более 5000 мм, кроме низкого с передним расположением вала (тип 2).

Материал ..... оцинкованная сталь  
 Вес, кг/шт. .... 2,67  
 Единица измерения ..... шт.  
 Норма поставки, шт. .... 2

Артикул	Код	Применение
RBI-40.120DL	401234400	Левый
RBI-40.120DR	401234500	Правый



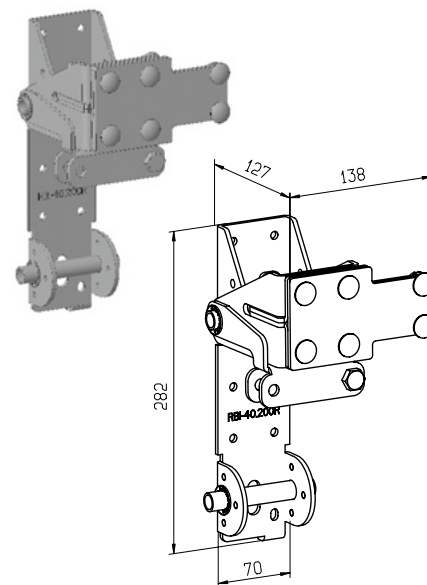
## Кронштейн роликовый нижний

Предназначен для защиты от падения полотна промышленных ворот при обрыве троса.

Устанавливается на нижнюю панель полотна ворот. Используется в промышленных воротах низкого с передним расположением вала (тип 2) монтажа при ширине ворот до 6 м включительно.

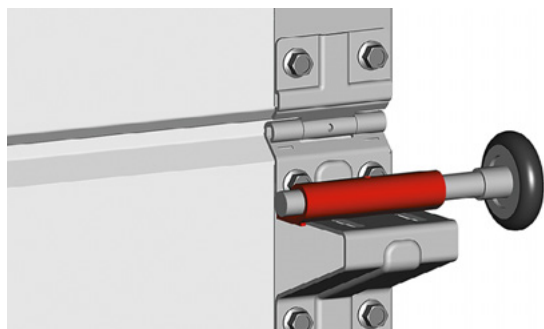
Материал ..... оцинкованная сталь  
 Вес, кг/шт. .... 3,40  
 Единица измерения ..... шт.  
 Норма поставки, шт. .... 1

Артикул	Код	Применение
RBI-40.200L	406136804	Левый
RBI-40.200R	406136805	Правый

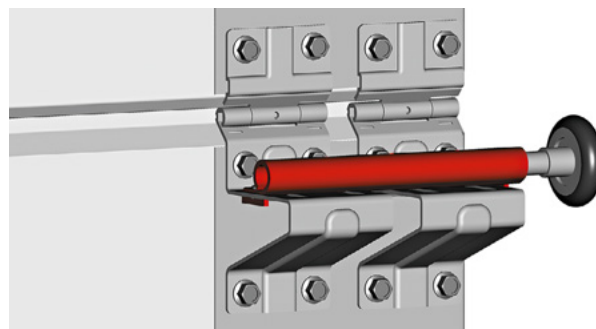


## КРОНШТЕЙНЫ И ПЕТЛИ ДЛЯ СБОРКИ ПОЛОТНА ВОРОТ

### УСТАНОВКА НАКЛАДКИ РОЛИКОВОЙ



**Накладка роликовая промежуточная**



**Накладка роликовая промежуточная дуплексная**

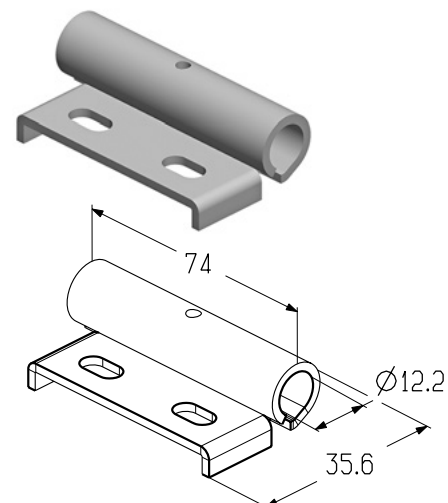
#### Накладка роликовая промежуточная

Предназначена для установки ролика ходового (R-130-12-G) на кронштейн роликовый боковой (RBI-40.123) на промежуточные панели полотна ворот.

Используется:

- в гаражных воротах высокого типа монтажа;
- в промышленных воротах всех типов монтажа.

Материал ..... оцинкованная сталь  
 Вес, кг/шт. .... 0,106  
 Единица измерения ..... шт.  
 Норма поставки, шт. .... 200



Артикул	Код
RP-40.123	401240500

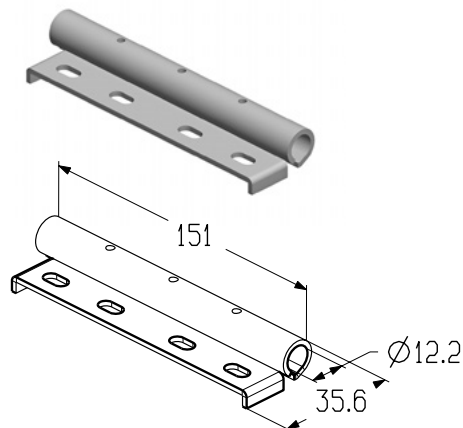
#### Накладка роликовая промежуточная дуплексная

Предназначена для установки ролика ходового (R-205-12-G) на двойной кронштейн боковой (RBI-40.123) на промежуточные панели полотна ворот.

Используется:

- в гаражных воротах высокого типа монтажа шириной более 5 м;
- в промышленных воротах всех типов монтажа шириной более 5 м.

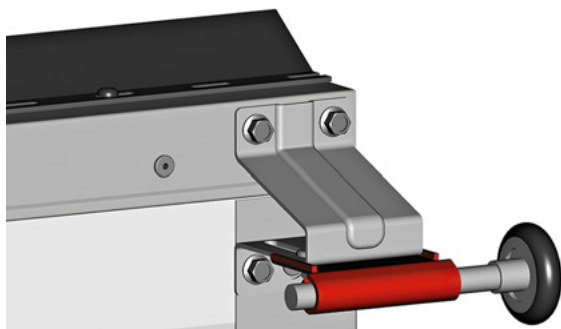
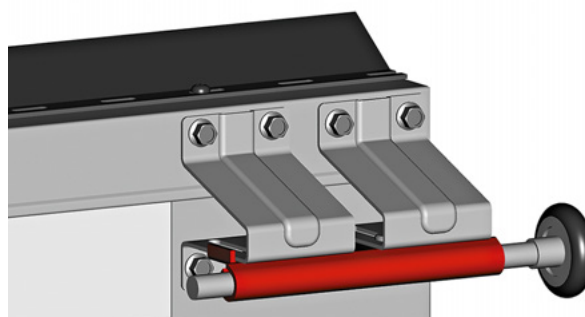
Материал ..... оцинкованная сталь  
 Вес, кг/шт. .... 0,11  
 Единица измерения ..... шт.  
 Норма поставки, шт. .... 100



Артикул	Код
RP-40.123D	401240800

## КРОНШТЕЙНЫ И ПЕТЛИ ДЛЯ СБОРКИ ПОЛОТНА ВОРОТ

## УСТАНОВКА НАКЛАДКИ РОЛИКОВОЙ

Накладка роликовая  
верхняяНакладка роликовая  
верхняя дуплексная

## Накладка роликовая верхняя

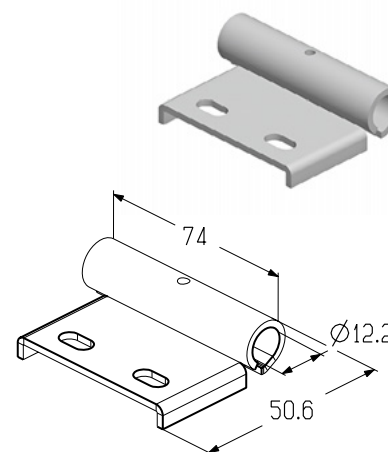
Предназначена для установки ролика ходового (R-130-12-G) на кронштейн роликовый верхний (RBI-40.127) на верхнюю панель полотна ворот.

Используется:

- в гаражных воротах высокого типа монтажа;
- в промышленных воротах всех типов монтажа (кроме низких).

Материал ..... оцинкованная сталь  
 Вес, кг/шт. .... 0,07  
 Единица измерения ..... шт.  
 Норма поставки, шт. .... 150

Артикул	Код
RP-40.125	401240600



## Накладка роликовая верхняя дуплексная

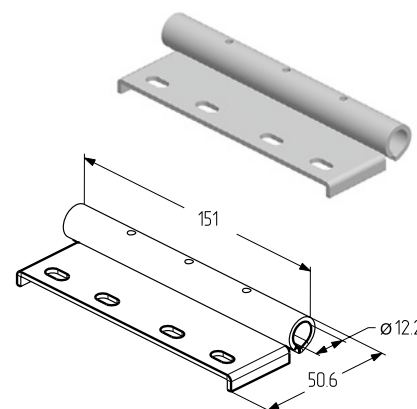
Предназначена для установки ролика ходового (R-205-12-G) на двойной кронштейн роликовый верхний (RBI-40.127) на верхнюю панель полотна ворот.

Используется:

- в гаражных воротах высокого типа монтажа шириной более 5 м;
- в промышленных воротах всех типов монтажа шириной более 5 м (кроме низких).

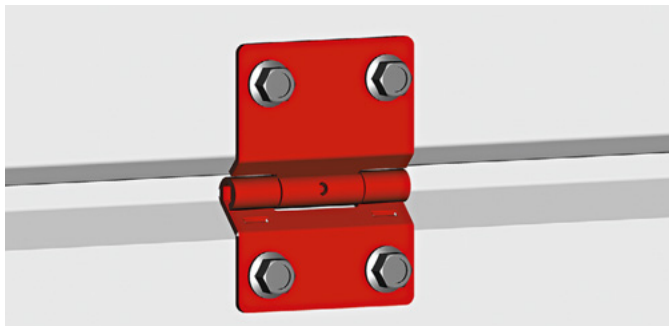
Материал ..... оцинкованная сталь  
 Вес, кг/шт. .... 0,22  
 Единица измерения ..... шт.  
 Норма поставки, шт. .... 80

Артикул	Код
RP-40.125D	401240700

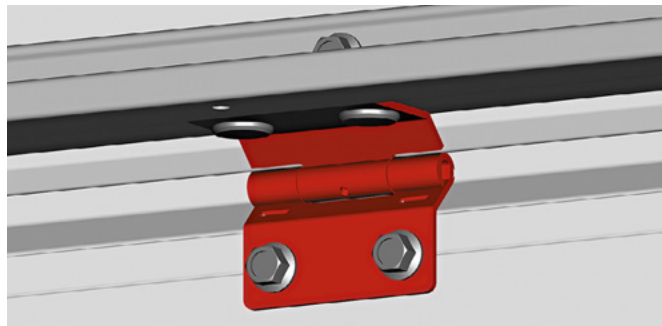


## КРОНШТЕЙНЫ И ПЕТЛИ ДЛЯ СБОРКИ ПОЛОТНА ВОРОТ

### УСТАНОВКА ПЕТЛИ ПРОМЕЖУТОЧНОЙ



**Петля промежуточная  
(IH-201)**



**Петля промежуточная  
(IH-200)**

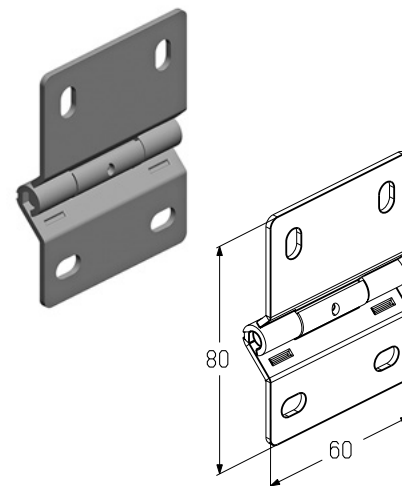
### Петля промежуточная

Предназначена для соединения сэндвич-панелей полотна ворот.

Используется:

- в гаражных воротах с пружинами растяжения и торсионными пружинами без усиливающего профиля **PRG-19**;
- в промышленных воротах всех типов монтажа без усиливающего профиля **PRG-19**;
- в промышленных воротах всех типов монтажа с усиливающим профилем **PRG110**.

Материал ..... оцинкованная сталь  
 Вес, кг/шт. .... 0,1  
 Единица измерения ..... шт.  
 Норма поставки, шт. .... 300



Артикул	Код
IH-201	401910500

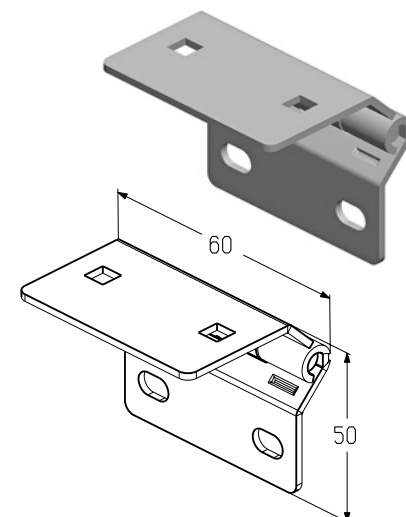
### Петля промежуточная

Предназначена для соединения сэндвич-панелей полотна ворот.

Используется:

- в гаражных воротах с профилем усиливающим (**PRG-19, PRG-20**);
- в промышленных воротах с профилем усиливающим (**PRG-19, PRG-20**).

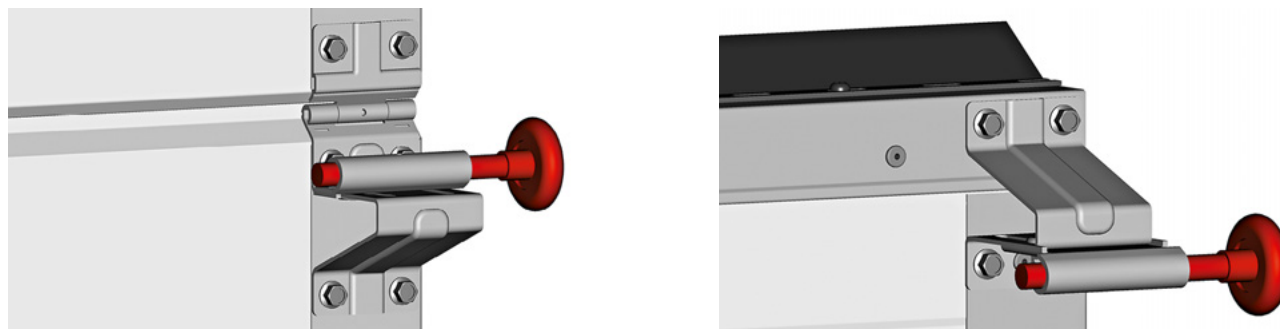
Материал ..... оцинкованная сталь  
 Вес, кг/шт. .... 0,105  
 Единица измерения ..... шт.  
 Норма поставки, шт. .... 200



Артикул	Код
IH-200	401910400

## РОЛИКИ ХОДОВЫЕ

## УСТАНОВКА РОЛИКА ХОДОВОГО

**Ролик ходовой**

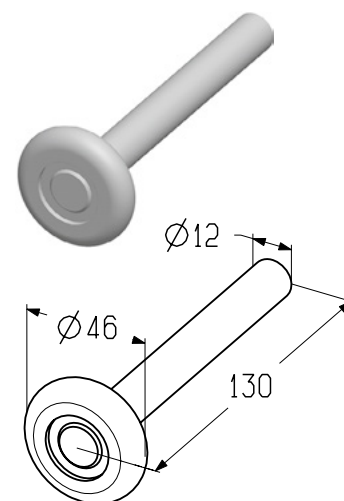
Предназначен для установки в накладку роликую верхнюю (RP-40.125) на кронштейн роликый верхний (RBI-40.127). Используется в промышленных воротах всех типов монтажа (кроме низких).

Предназначен для установки в накладку роликую промежуточную (RP-40.123) на кронштейн роликый боковой (RBI-40.123). Используется в промышленных воротах всех типов монтажа шириной до 5 м включительно.

Предназначен для установки в кронштейн роликый нижний (RBI-40.110L/R, RBI-40.100L/R). Используется в промышленных воротах всех типов монтажа (кроме низкого с передним расположением вала (тип 2)).

Диаметр оси, мм	12
Вес, кг/шт.	0,156
Длина ролика, мм	130
Единица измерения	шт.
Норма поставки, шт.	100

Артикул	Код
R-130-12-G	401920200

**Ролик ходовой**

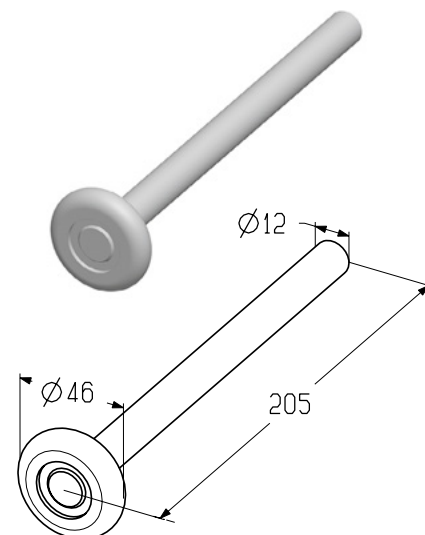
Предназначен для установки в накладку роликую промежуточную дуплексную (RP-40.123D) на двойной кронштейн роликый боковой (RBI-40.123).

Предназначен для установки в накладку роликую верхнюю дуплексную (RP-40.125D) на двойной кронштейн роликый верхний (RBI-40.127).

Используется в промышленных воротах всех типов монтажа шириной более 5 м.

Диаметр оси, мм	12
Вес, кг/шт.	0,224
Длина ролика, мм	205
Единица измерения	шт.
Норма поставки, шт.	100

Артикул	Код
R-205-12-G	401920400



## РОЛИКИ ХОДОВЫЕ

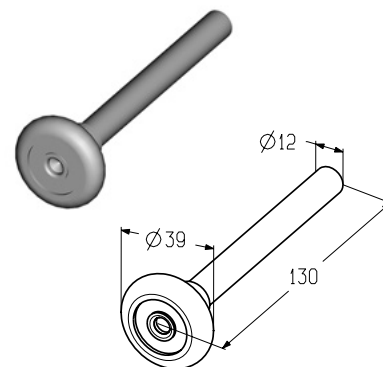
### Ролик ходовой

Предназначен для установки в накладку роликую верхнюю (**RP-40.125**) на кронштейн роликый верхний (**RBI-40.127**). Используется в гаражных воротах высокого типа монтажа.

Предназначен для установки в накладку роликую промежуточную (**RP-40.123**) на кронштейн роликый боковой (**RBI-40.123**). Используется в гаражных воротах высокого типа монтажа шириной до 5 м включительно.

Диаметр оси, мм	12
Вес, кг/шт.	0,15
Длина ролика, мм	130
Единица измерения	шт.
Норма поставки, шт.	150

Артикул	Код
RT-130-12-G	401922000



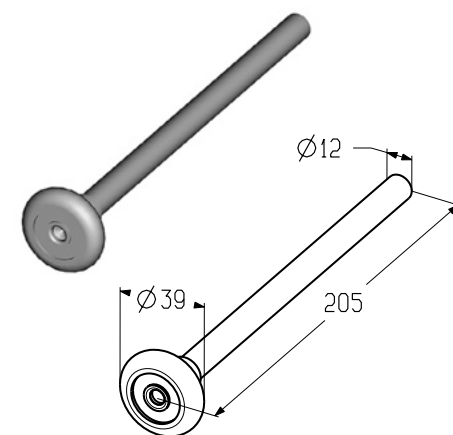
### Ролик ходовой

Предназначен для установки в накладку роликую промежуточную дуплексную (**RP-40.123D**) на двойной кронштейн роликый боковой (**RBI-40.123**).

Предназначен для установки в накладку роликую верхнюю дуплексную (**RP-40.125D**) на двойной кронштейн роликый верхний (**RBI-40.127**). Используется в гаражных воротах высокого типа монтажа шириной более 5 м включительно.

Диаметр оси, мм	12
Вес, кг/шт.	0,22
Длина ролика, мм	205
Единица измерения	шт.
Норма поставки, шт.	100

Артикул	Код
RT-205-12-G	401922100

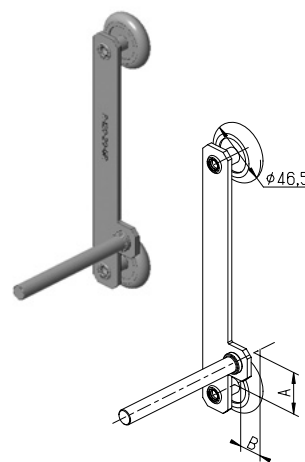


### Ролик ходовой

Предназначен для установки в кронштейн роликый нижний **RBI-40.200L**, **RBI-40.200R**. Используется в воротах низкого монтажа с передним расположением вала (тип 2).

Диаметр оси, мм	12
Вес, кг/шт.	0,5
Длина ролика, мм	120
Единица измерения	шт.
Норма поставки, шт.	100

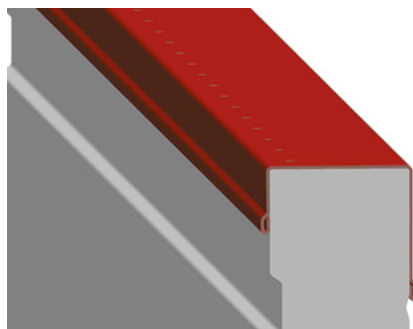
Артикул	Код	Параметр А, мм	Параметр В, мм	Применение
R-120-20-GL	416000026	35	20	Для ворот с калиткой с плоским порогом
R-120-20-GR	416000029			
R-120-35-GL	416000027	50	16	Для ворот без калитки, для ворот с калиткой с низким порогом
R-120-35-GR	416000030			



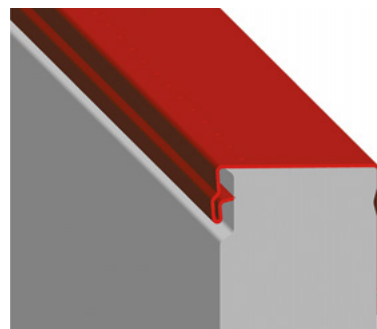


## ПРОФИЛИ ДЛЯ ПОЛОТНА ВОРОТ

### УСТАНОВКА ПРОФИЛЯ КОНЦЕВОГО ВЕРХНЕГО



Профиль верхний  
(PRG-37)



Профиль верхний  
(PRG-38)

#### Профиль верхний

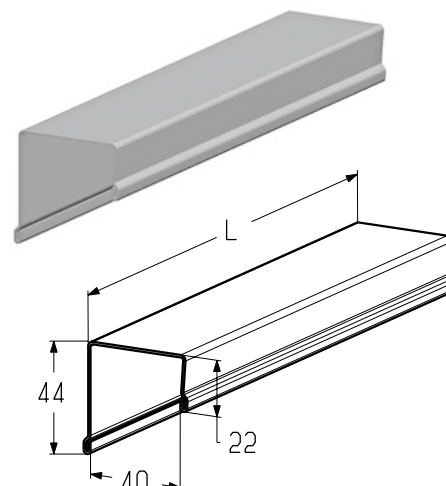
Предназначен для установки на верхнюю панель полотна ворот.

Используется:

- в гаражных воротах с пружинами растяжения и торсионными пружинами;
- в промышленных воротах всех типов монтажа.

Материал ..... оцинкованная сталь  
 Покрытие ..... лакокрасочное  
 Цвет ..... бело-серый (близкий RAL 9002)  
 Вес, кг/м ..... 0,908  
 Единица измерения ..... м  
 Норма поставки, шт. .... 100

Артикул	Код	Длина (L), мм	Норма поставки, м
PRG-37	402140510	5760	576,0
		7200	720,0



#### Профиль верхний

Предназначен для установки на верхнюю панель полотна ворот.

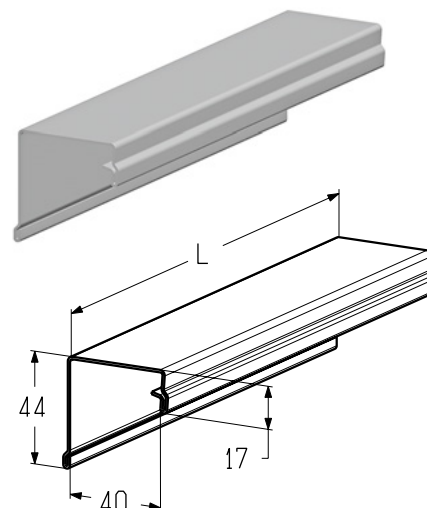
Используется:

- в гаражных воротах с пружинами растяжения и торсионными пружинами;
- в промышленных воротах всех типов монтажа.

Устанавливается на сэндвич-панель с горизонтальным гофром в том случае, если подрезка панели попадает на паз.

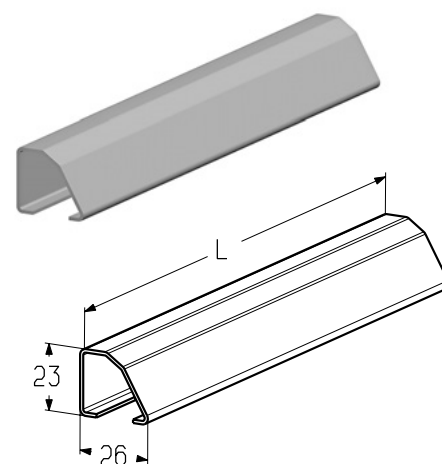
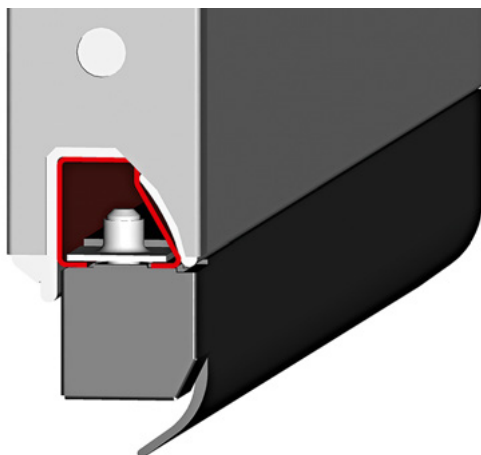
Материал ..... оцинкованная сталь  
 Покрытие ..... лакокрасочное  
 Цвет ..... бело-серый (близкий RAL 9002)  
 Вес, кг/м ..... 0,949  
 Единица измерения ..... м  
 Норма поставки, шт. .... 80

Артикул	Код	Длина (L), мм	Норма поставки, м
PRG-38	402140610	5760	460,8
		7200	576,0



## ПРОФИЛИ ДЛЯ ПОЛОТНА ВОРОТ

### УСТАНОВКА ПРОФИЛЯ КОНЦЕВОГО НИЖНЕГО



#### Профиль концевой (нижний)

Используется:

- в гаражных воротах с пружинами растяжения и торсионными пружинами;
- в промышленных воротах всех типов монтажа.

Материал ..... оцинкованная сталь

Вес, кг/м ..... 0,633

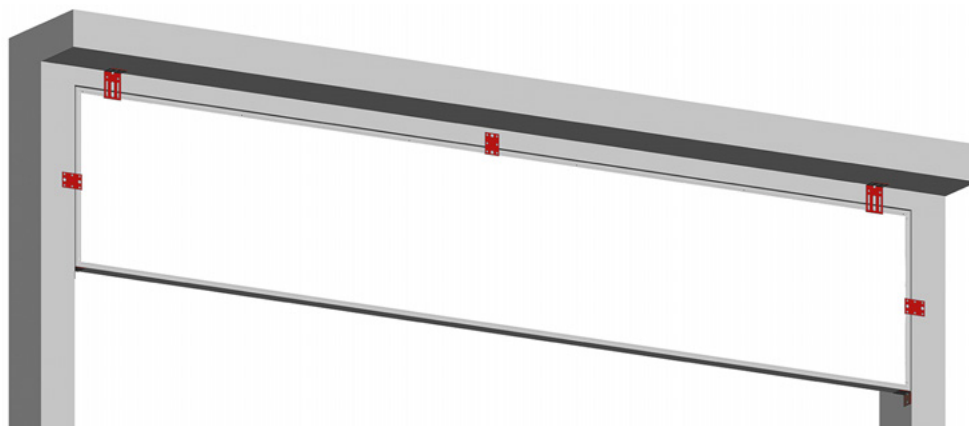
Единица измерения ..... м

Норма поставки, шт. .... 120

Артикул	Код	Длина (L), мм	Норма поставки, м
PRG-36	402130300	5700	684,0
		7140	856,8

## ПРОФИЛИ ДЛЯ ПОЛОТНА ВОРОТ

## УСТАНОВКА ФАЛЬШ-ПАНЕЛИ



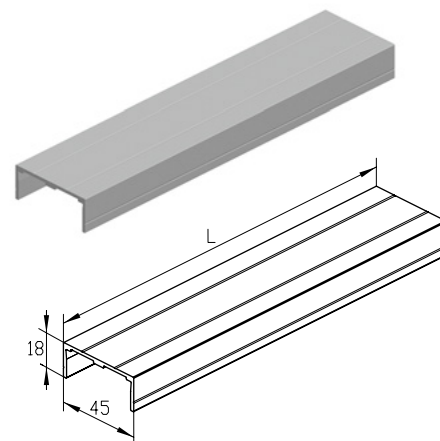
## Профиль воротный

Предназначен для изготовления фальш-панели:

- в гаражных воротах с пружинами растяжения и торсионными пружинами всех типов монтажа;
- в промышленных воротах всех типов монтажа.

Длина, мм	6000
Материал	алюминий
Вес, кг/м	0,426
Единица измерения	м
Норма поставки, м	72

Артикул	Код	Покрытие	Цвет Степень блеска
PRD85.01	402980771	Анодированное	A00-D6 (серебро)
	402980772	Порошковое	RAL 8019 30°



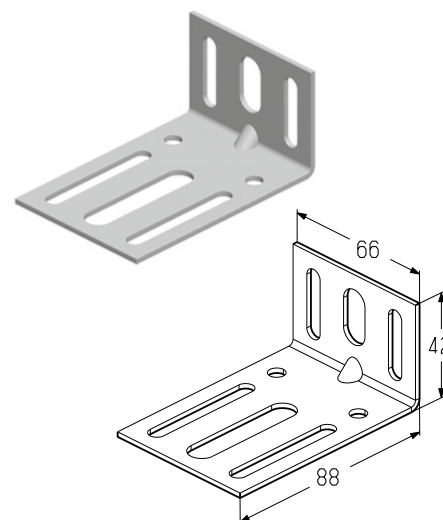
## Кронштейн

Предназначен для крепления фальш-панели к верхней перемычке высотой до 65 мм:

- в гаражных воротах с пружинами растяжения и торсионными пружинами всех типов монтажа;
- в промышленных воротах всех типов монтажа.

Материал	оцинкованная сталь
Вес, кг/шт.	0,092
Единица измерения	шт.
Норма поставки, шт.	200

Артикул	Код
FPB5007	401820100



\* Указанные цвета имеют близкое соответствие шкале RAL.

## ПРОФИЛИ ДЛЯ ПОЛОТНА ВОРОТ

### УСТАНОВКА ФАЛЬШ-ПАНЕЛИ

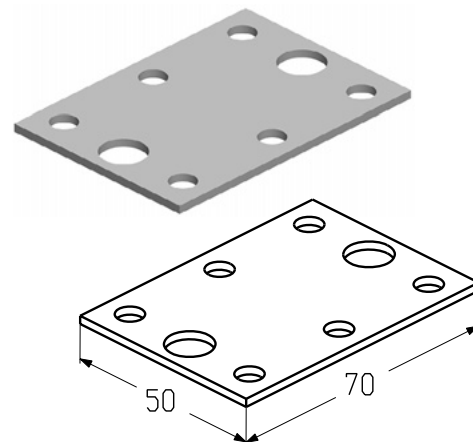
#### Пластина

Предназначена для крепления фальш-панели к верхней перемычке высотой более 65 мм и боковым стенкам проема. Используется:

- в гаражных воротах с пружинами растяжения и торсионными пружинами всех типов монтажа;
- в промышленных воротах всех типов монтажа.

Материал ..... оцинкованная сталь  
 Вес, кг/шт. .... 0,049  
 Единица измерения ..... шт.  
 Норма поставки, шт. .... 300

Артикул	Код
FPP5008	401830100



#### Кронштейн

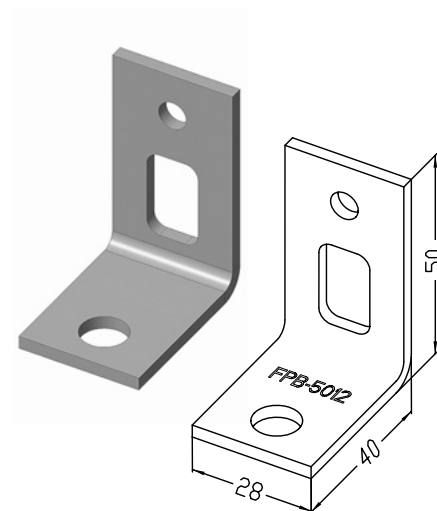
Предназначен для крепления фальш-панели к боковым стенкам проема.

Используется:

- в гаражных воротах с пружинами растяжения и торсионными пружинами всех типов монтажа;
- в промышленных воротах всех типов монтажа.

Материал ..... оцинкованная сталь  
 Вес, кг/шт. .... 0,053  
 Единица измерения ..... шт.  
 Норма поставки, шт. .... 300

Артикул	Код
FPB-5012	406136755



#### Кронштейн

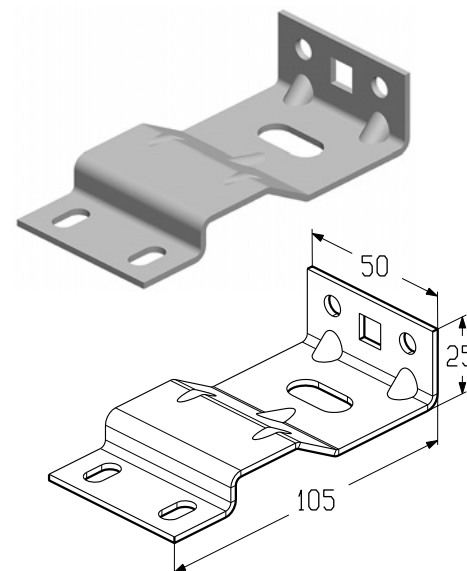
Предназначен для крепления фальш-панели к боковым стенкам проема в случае, если фальш-панель состоит из двух и более панелей. Устанавливается совместно с угловым профилем.

Используется:

- в гаражных воротах высокого типа монтажа;
- в промышленных воротах высоких и вертикальных типов монтажа.

Материал ..... оцинкованная сталь  
 Вес, кг/шт. .... 0,101  
 Единица измерения ..... шт.  
 Норма поставки, шт. .... 160

Артикул	Код
FPB5010	401820300



## ПРОФИЛИ ДЛЯ ПОЛОТНА ВОРОТ

## УСТАНОВКА ПРОФИЛЯ УСИЛИВАЮЩЕГО



## Профиль усиливающий

Используется в гаражных воротах:

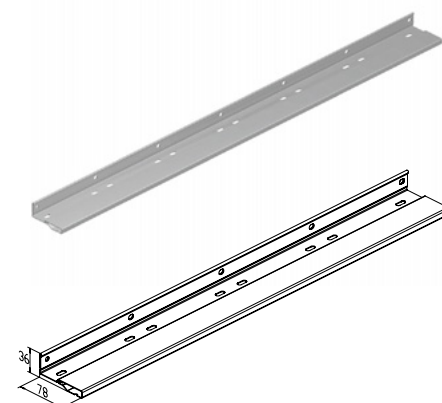
- стандартного и низкого типа шириной от 5 м включительно (в качестве опции может применяться при ширине до 5 м);
- высокого типа монтажа при ширине более 4,5 м (в качестве опции может применяться при ширине до 4,5 м включительно).

Используется в промышленных воротах:

- всех типов монтажа (кроме высоких и вертикальных) при ширине от 5 м включительно (в качестве опции может применяться при ширине до 5 м);
- высоких и вертикальных типов монтажа при ширине более 4,5 м (в качестве опции может применяться при ширине до 4,5 м включительно).

Материал ..... оцинкованная сталь  
 Вес, кг/м ..... 1,52  
 Единица измерения ..... м

Артикул	Код	Длина, мм	Норма поставки, м
PRG-19	401437900	4290	257,40
		4620	277,20
		4950	297,00
		5610	366,60
		6600	396,00



## Профиль усиливающий

Используется в гаражных воротах с торсионными пружинами с панорамным остеклением (серия ПО):

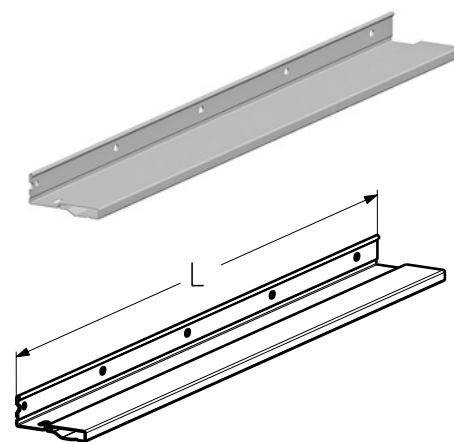
- стандартного и низкого типа монтажа шириной более 5 м (в качестве опции может применяться при ширине до 5 м включительно);
- высокого типа монтажа при ширине более 4,5 м (в качестве опции может применяться при ширине до 4,5 м включительно).

Используется в промышленных воротах с панорамным остеклением (серий АЛП, АЛПС, ПО):

- всех типов монтажа (кроме высоких и вертикальных) шириной более 5 м (в качестве опции может применяться при ширине до 5 м включительно);
- высоких и вертикальных типах монтажа шириной более 4,5 м (в качестве опции может применяться при ширине до 4,5 м включительно).

Материал ..... оцинкованная сталь  
 Вес, кг/м ..... 1,52  
 Единица измерения ..... м

Артикул	Код	Длина, мм	Норма поставки, м
PRG-20	401438000	4620	277,20
		4950	297,00
		5610	336,60
		6600	396,00



## ПРОФИЛИ ДЛЯ ПОЛОТНА ВОРОТ

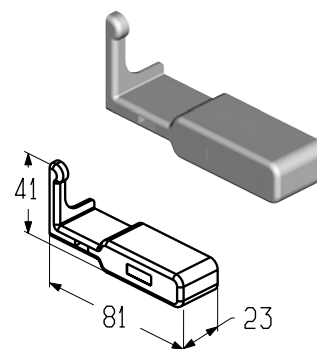
### УСТАНОВКА ПРОФИЛЯ УСИЛИВАЮЩЕГО

#### Заглушка

Устанавливается совместно с профилем усиливающим (**PRG-19, PRG-20**).

Материал .....	ABS
Вес, кг/м .....	0,01
Единица измерения .....	шт.
Норма поставки, шт. ....	630

Артикул	Код	Применение
P19R	401530500	Правая
P19L	401530400	Левая

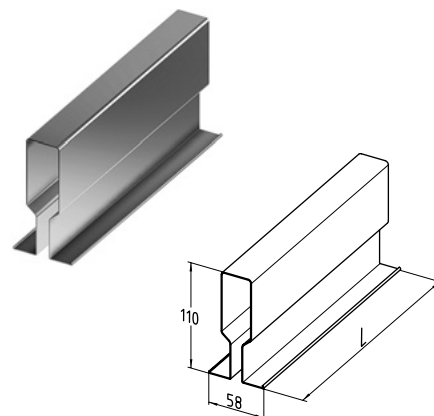


#### Профиль усиливающий

Используется в промышленных воротах в качестве опции при ширине ворот более 5 м.

Материал .....	оцинкованная сталь
Длина .....	8020
Вес, кг / шт. ....	2,33
Единица измерения .....	м
Норма поставки, м .....	200,5

Артикул	Код
PRG110-8020	401436000

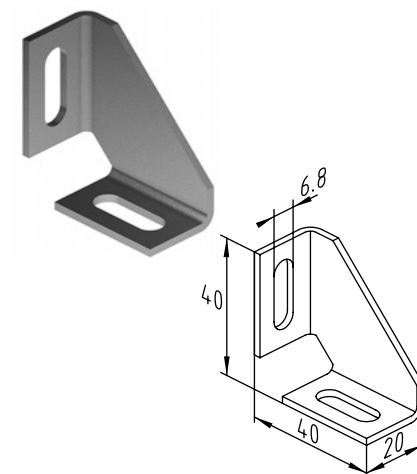


#### Кронштейн крепления усиливающего профиля

Используется в гаражных и промышленных воротах для крепления усиливающего профиля (**PRG-19, PRG-20**).

Материал .....	оцинкованная сталь
Вес, кг/шт. ....	0,031
Единица измерения .....	шт.
Норма поставки, шт. ....	300

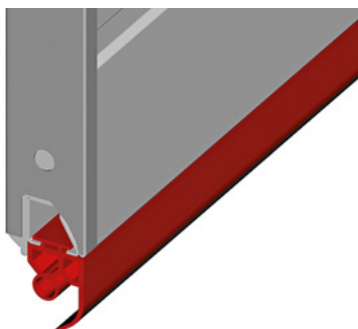
Артикул	Код	Цвет*
B-1015	401200900	—
	401201000	RAL 9002



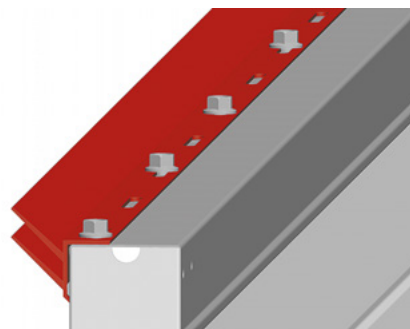
\* Указанные цвета имеют близкое соответствие шкале RAL.

## УПЛОТНИТЕЛИ РЕЗИНОВЫЕ

### УСТАНОВКА ВСТАВКИ УПЛОТНИТЕЛЬНОЙ



**Вставка уплотнительная  
нижняя**



**Вставка уплотнительная  
верхняя**

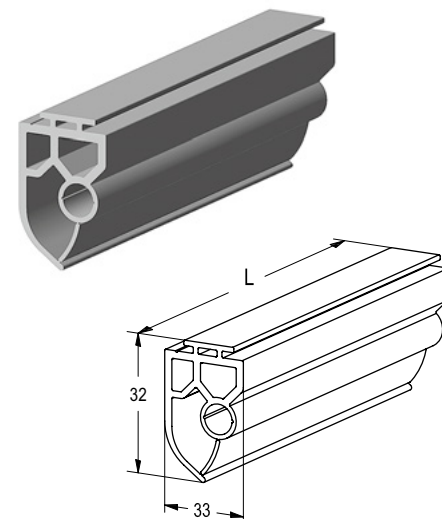
#### Вставка уплотнительная (нижняя)

Предназначена для герметизации нижней части проема. Устанавливается в профиль концевой нижней (**PRG-36**).

Используется:

- в гаражных воротах с пружинами растяжения и торсионными пружинами всех типов монтажа;
- в промышленных воротах всех типов монтажа.

Материал ..... EPDM  
 Вес, кг/м ..... 0,39  
 Единица измерения ..... м  
 Норма поставки, м ..... 55



Артикул	Код
RSB20	417500204

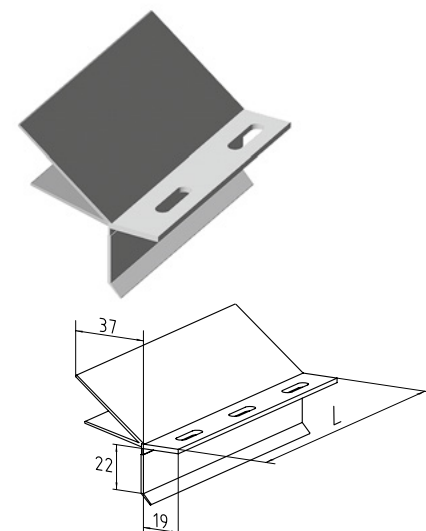
#### Вставка уплотнительная (верхняя)

Предназначена для герметизации верхней части проема. Устанавливается совместно с профилем концевым верхним (**PRG-37, PRG-38**).

Используется:

- в гаражных воротах высокого типа монтажа;
- в промышленных воротах всех типов монтажа, кроме низких (низкого, наклонного низкого, низкого с передним расположением вала, низкого с передним расположением вала (тип 2)).

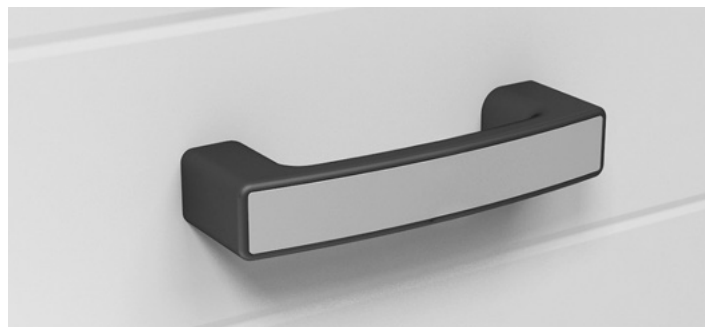
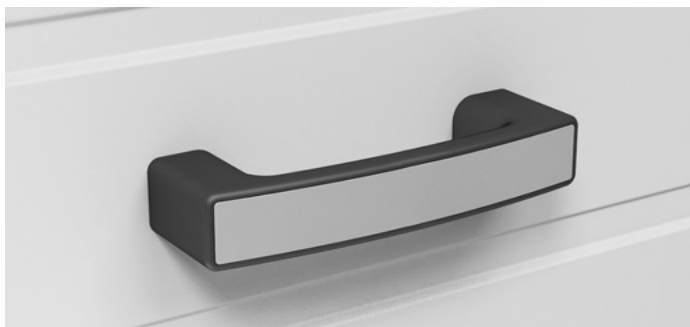
Материал ..... RPVC+TPE  
 Вес, кг/м ..... 0,30  
 Единица измерения ..... м  
 Норма поставки, м ..... 180



Артикул	Код
RST01	401520100

## АКСЕССУАРЫ ДЛЯ СЕКЦИОННЫХ ВОРОТ

### УСТАНОВКА РУЧКИ



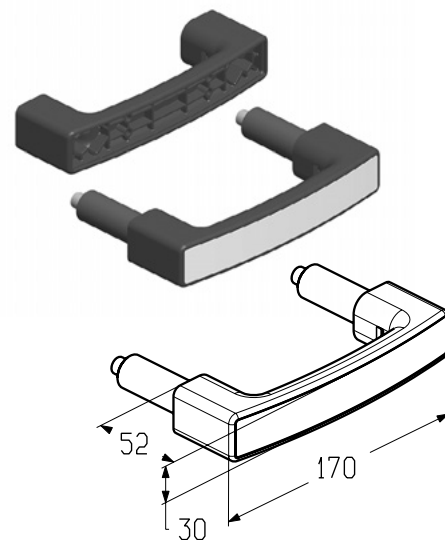
#### Ручка

Предназначена для подъема полотна гаражных ворот с пружинами растяжения и торсионными пружинами всех типов монтажа.

В комплект входят:

- двухсторонняя ручка;
- крышка для внутренней ручки, цвет близкий RAL 9002.

Материал ..... полиамид  
 Цвет ..... черный  
 Вес, кг/м ..... 0,23  
 Единица измерения ..... шт.  
 Норма поставки, шт. .... 27



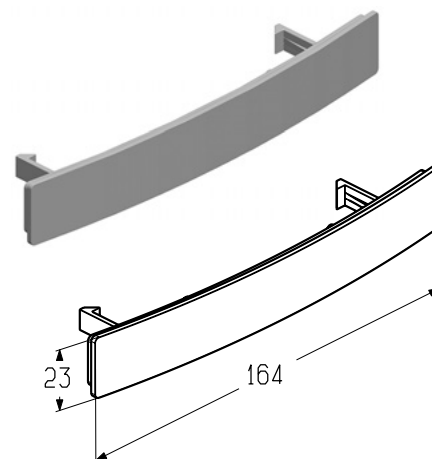
Артикул	Код
HGI-40.006	407410800

#### Крышка

Используется совместно с ручкой (HGI-40.006).

Материал ..... ABS  
 Вес, кг/м ..... 0,01  
 Единица измерения ..... шт.  
 Норма поставки, шт. .... 400

Артикул	Код	Цвет*
HGI006.002.01	407430000	RAL 9016
HGI006.002.02	407430100	RAL 8014
HGI006.002.03	407430200	RAL 9006
HGI006.002.04	407430300	RAL 5010
HGI006.002.09	407430400	RAL 6005
HGI006.002.10	407430500	RAL 1015
HGI006.002.12	407430600	RAL 3004
HGI006.002.15	407430700	RAL 9002
HGI006.002.16	407430800	RAL 7016
HGI006.002.17	407430900	RAL 8017
HGI006.002.18	407431000	RAL 9005

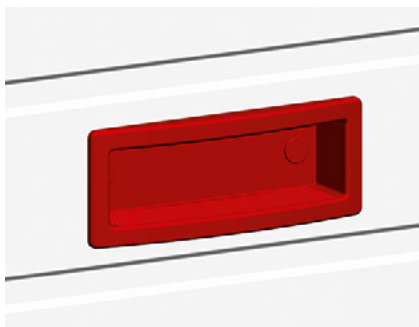


\* Указанные цвета имеют близкое соответствие шкале RAL.

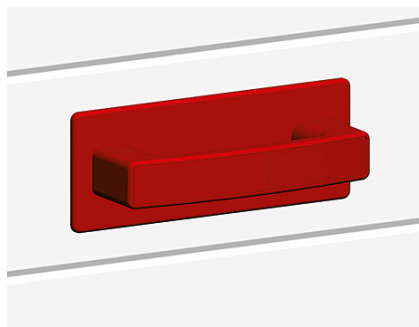


## АКСЕССУАРЫ ДЛЯ СЕКЦИОННЫХ ВОРОТ

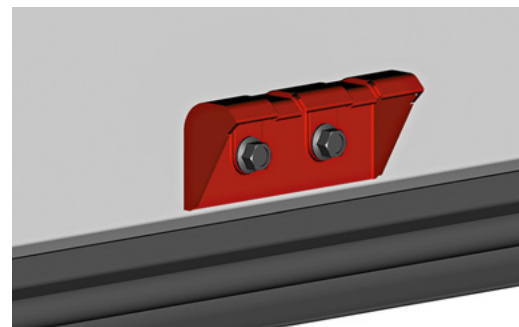
## УСТАНОВКА РУЧКИ



Ручка HGI-40.007  
Внутренняя сторона



Ручка HGI-40.007  
Внешняя сторона



Ручка HG-40.008  
Внутренняя сторона

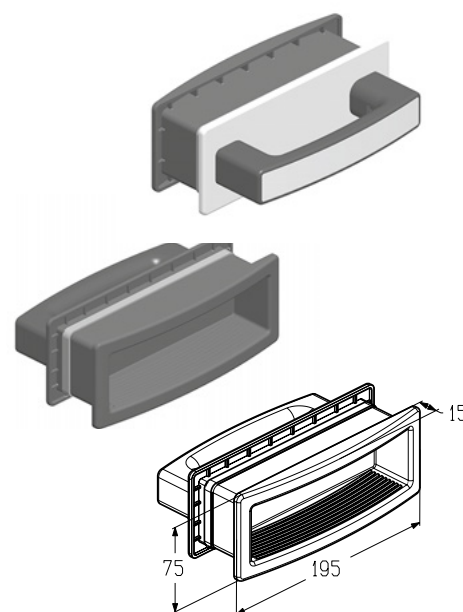
## Ручка

Предназначена для подъема полотна:

- гаражных ворот высокого типа монтажа;
- промышленных ворот всех типов монтажа.

Материал ..... полиамид  
Цвет ..... черный  
Вес, кг/шт. .... 0,65  
Единица измерения ..... шт.  
Норма поставки, шт. .... 28

Артикул	Код
HGI-40.007	401930200



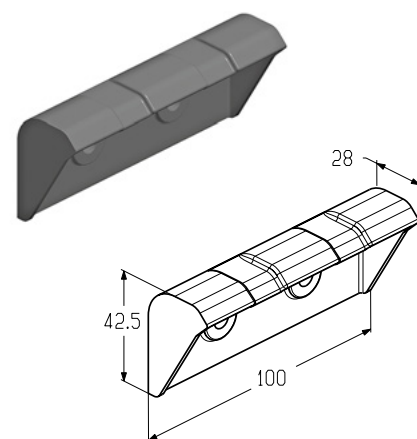
## Ручка

Предназначена для подъема полотна без встроенной калитки или усиливающих профилей:

- гаражных ворот с пружинами растяжения и торсионными пружинами всех типов монтажа;
- промышленных воротах всех типов монтажа.

Материал ..... полиамид  
Цвет ..... черный  
Вес, кг/шт. .... 0,02  
Единица измерения ..... шт.  
Норма поставки, шт. .... 300

Артикул	Код
HG-40.008	407410700



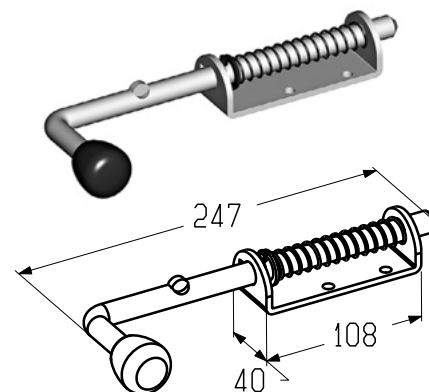
## АКСЕССУАРЫ ДЛЯ СЕКЦИОННЫХ ВОРОТ

### Засов

Предназначен для запираения гаражных и промышленных ворот всех типов монтажа.

Материал ..... оцинкованная сталь  
 Вес, кг/шт. .... 0,506  
 Единица измерения ..... шт.  
 Норма поставки, шт. .... 20

Артикул	Код
SB0100	401960000

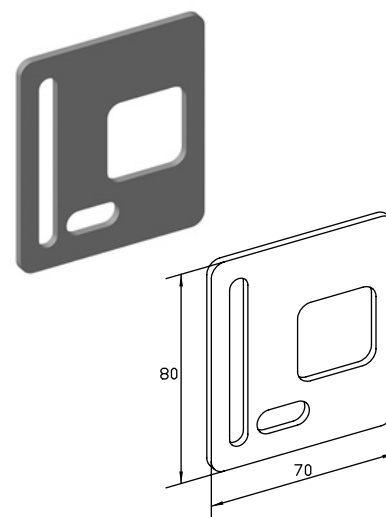


### Кронштейн

Предназначен для установки совместно с профилем угловым и засовом (**SB0100**).  
 Используется в гаражных и промышленных воротах всех типов монтажа.

Материал ..... оцинкованная сталь  
 Вес, кг/шт. .... 0,1  
 Единица измерения ..... шт.  
 Норма поставки, шт. .... 200

Артикул	Код
LP-3009H	406136775



### Комплект механизма разблокировки

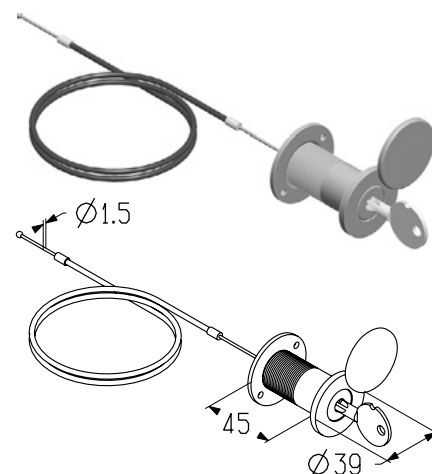
Предназначен для разблокировки электропривода реечного типа.

Используется:

- в гаражных воротах с пружинами растяжения и торсионными пружинами всех типов монтажа;
- в промышленных воротах низких типов монтажа (при использовании совместно с реечным электроприводом).

Единица измерения ..... шт.  
 Длина троса, мм ..... 4500  
 Вес, кг/шт. .... 0,52  
 Норма поставки, шт. .... 4

Артикул	Код
RM0104-4500	401971800



## АКСЕССУАРЫ ДЛЯ СЕКЦИОННЫХ ВОРОТ

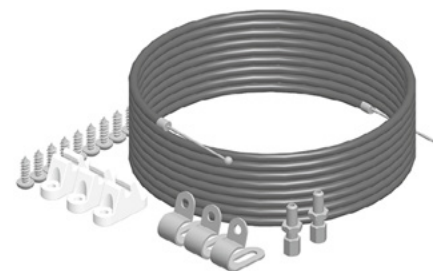
**Трос разблокировки**

Предназначен для разблокировки электропривода реечного типа. Используется совместно с устройством запирающим **RLT-403**.

В комплект входят:

- трос разблокировки;
- комплект крепежа (винты самонарезающие, скобы, хомуты).

Единица измерения ..... шт.  
 Норма поставки, шт. .... 1



Артикул	Код	Длина, мм	Вес, кг/шт.
RK-4500	401971600	4500	0,56
RK-6000	401971700	6000	0,65

1.1

1.2

1.3

1.4

1.5

2

3

4

## АКСЕССУАРЫ ДЛЯ СЕКЦИОННЫХ ВОРОТ

### УСТАНОВКА УСТРОЙСТВА ЗАПИРАЮЩЕГО ДЛЯ ГАРАЖНЫХ ВОРОТ



Внешняя сторона



Внутренняя сторона

#### Устройство запирающее

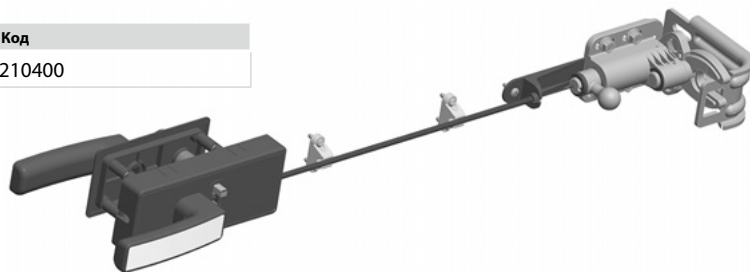
Предназначено для запирания гаражных ворот с пружинами растяжения и торсионными пружинами.

В комплект входят:

- устройство запирающее;
- крышка для внутренней ручки, цвет близкий RAL 9002;
- цилиндрический механизм 10/53 мм.

Вес, кг/шт. .... 2,8  
Единица измерения ..... шт.  
Норма поставки, шт. .... 1

Артикул	Код
RLT-403	407210400

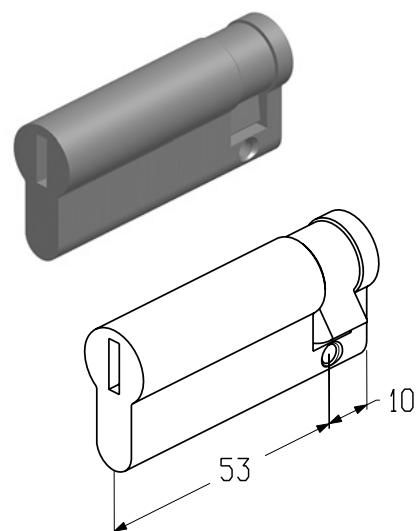


#### Цилиндрический механизм 10/53 мм

Используется совместно с устройством запирающим (RLT-403).

Вес, кг ..... 0,19  
Единица измерения ..... шт.  
Норма поставки, шт. .... 1

Артикул	Код
C-10/53	418700054



## АКСЕССУАРЫ ДЛЯ СЕКЦИОННЫХ ВОРОТ

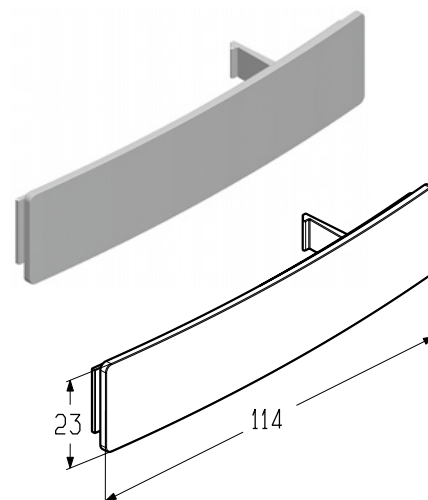
## УСТАНОВКА УСТРОЙСТВА ЗАПИРАЮЩЕГО ДЛЯ ГАРАЖНЫХ ВОРОТ

## Крышка

Используется совместно с устройством запирающим (RLT-403).

Материал ..... ABS  
 Вес, кг/м ..... 0,01  
 Единица измерения ..... шт.  
 Норма поставки, шт. .... 1000

Артикул	Код	Цвет*
RLG003.226.01	407230000	RAL 9016
RLG003.226.02	407230100	RAL 8014
RLG003.226.03	407230200	RAL 9006
RLG003.226.04	407230300	RAL 5010
RLG003.226.09	407230400	RAL 6005
RLG003.226.10	407230500	RAL 1015
RLG003.226.12	407230600	RAL 3004
RLG003.226.15	407230700	RAL 9002
RLG003.226.16	407230800	RAL 7016
RLG003.226.17	407230900	RAL 8017
RLG003.226.18	407231000	RAL 9005



1.1

1.2

1.3

1.4

1.5

2

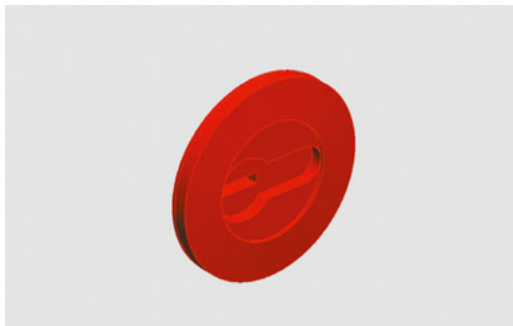
3

4

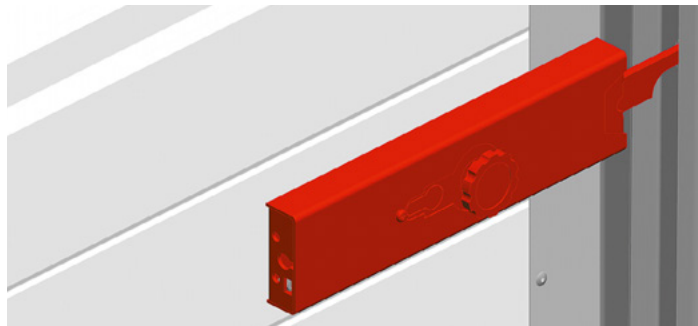
\* Указанные цвета имеют близкое соответствие шкале RAL.

## АКСЕССУАРЫ ДЛЯ СЕКЦИОННЫХ ВОРОТ

### УСТАНОВКА ЗАМКА РИГЕЛЬНОГО ДЛЯ ПРОМЫШЛЕННЫХ ВОРОТ



Внешняя сторона



Внутренняя сторона

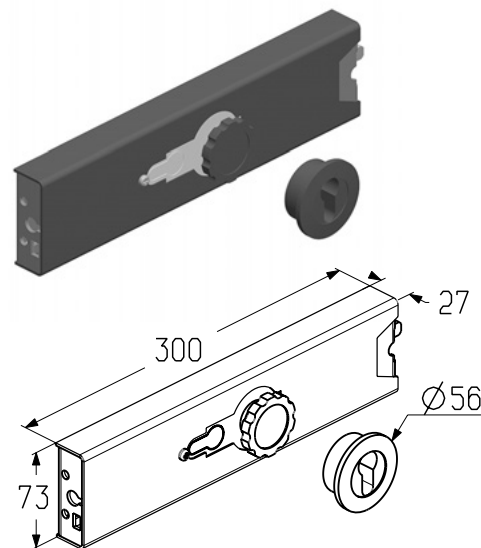
#### Замок ригельный

Предназначен для запираения промышленных ворот всех типов монтажа, кроме низкого с передним расположением вала 2.

Используется совместно с цилиндрическим механизмом 9/52 мм (C-9/52).

Вес, кг/шт. .... 1,85  
Единица измерения ..... шт.  
Норма поставки, шт. .... 3

Артикул	Код
RLI0103	401970600



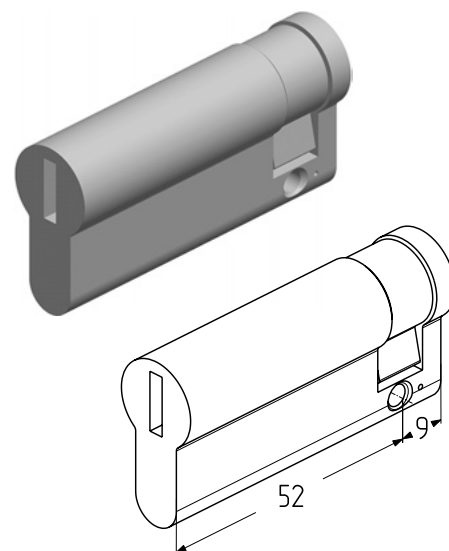
#### Цилиндрический механизм 9/52 мм

Предназначен для запираения промышленных ворот всех типов монтажа.

Используется совместно с замком ригельным (RLI0103).

Вес, кг/шт. .... 0,25  
Единица измерения ..... шт.  
Норма поставки, шт. .... 3

Артикул	Код
C-9/52	407280100



## АКСЕССУАРЫ ДЛЯ СЕКЦИОННЫХ ВОРОТ

**Вставка светопрозрачная**

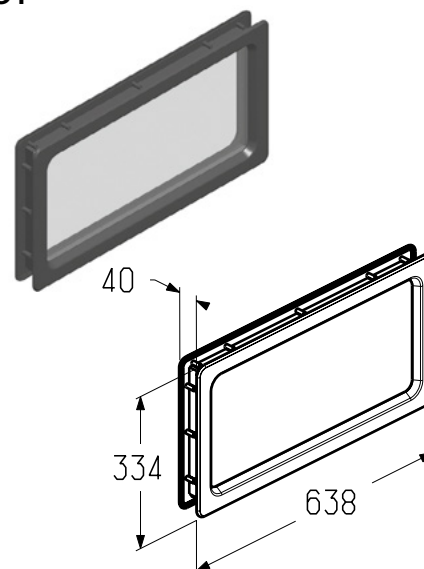
Используется:

- в гаражных воротах с пружинами растяжения и торсионными пружинами всех типов монтажа,
- в промышленных воротах всех типов монтажа.

Применяется для ворот с рисунком полотна микроволна, S-, M-, L-гофр.

Материал .....	SAN
Вес, кг/шт. ....	1,7
Единица измерения .....	шт.
Норма поставки, шт. ....	192

Артикул	Код
W046-40	401985600

**Вставка светопрозрачная**

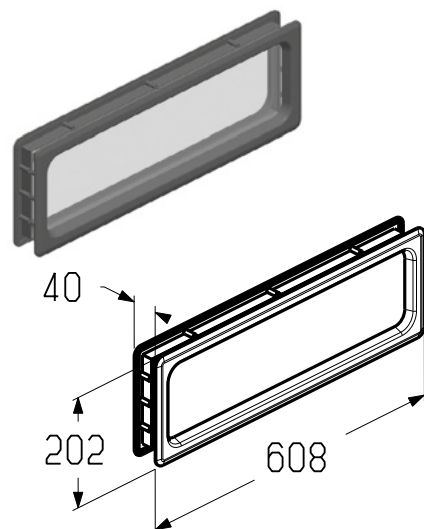
Используется:

- в гаражных воротах с пружинами растяжения и торсионными пружинами всех типов монтажа,
- в промышленных воротах всех типов монтажа.

Применяется для ворот с рисунком полотна микроволна, S-, M-, L-гофр.

Материал .....	SAN
Вес, кг/шт. ....	1,1
Единица измерения .....	шт.
Норма поставки, шт. ....	12

Артикул	Код
W085-40	401985500

**Вставка светопрозрачная**

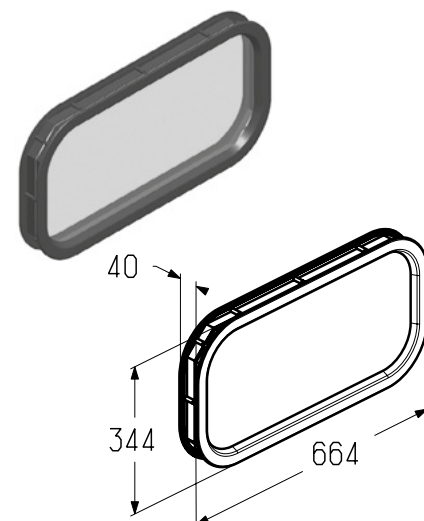
Используется:

- в гаражных воротах с пружинами растяжения и торсионными пружинами всех типов монтажа,
- в промышленных воротах всех типов монтажа.

Применяется для ворот с рисунком полотна микроволна, S-, M-, L-гофр.

Материал .....	SAN
Вес, кг/шт. ....	1,6
Единица измерения .....	шт.
Норма поставки, шт. ....	192

Артикул	Код
W095-40	401985400



## АКСЕССУАРЫ ДЛЯ СЕКЦИОННЫХ ВОРОТ

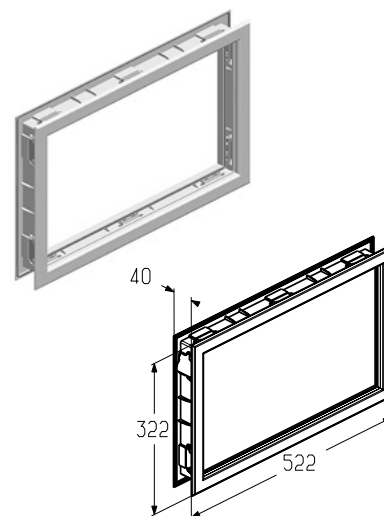
### Комплект рамок

Используется для остекления гаражных и промышленных ворот с рисунком полотна микроволна, S-, M-, L-гофр, филенка в составе вставок светопрозрачных **W043WH-CG40, W043BR-CG40, W043WH-TG40, W043BR-TG40, W043WH-MG40, W043BR-MG40.**

Применяется совместно с заполнением светопрозрачным **W043-CG, W043-TG, W043-MG.**

Материал .....	ABS
Вес, кг/шт. ....	1,95
Единица измерения .....	шт.
Норма поставки, шт. ....	10

Артикул	Код	Цвет
W043-WH40	401986500	Белый
W043-BR40	401986600	Коричневый



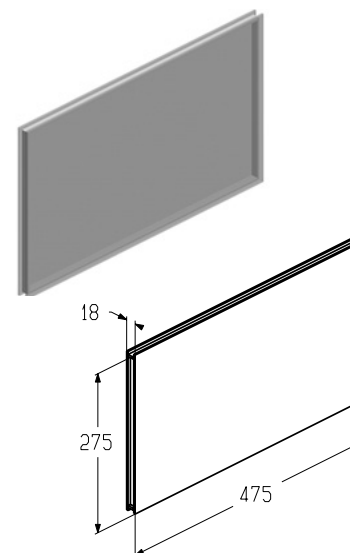
### Заполнение светопрозрачное

Используется для остекления гаражных и промышленных ворот с рисунком полотна микроволна, S-, M-, L-гофр, филенка в составе вставок светопрозрачных **W043WH-CG40, W043BR-CG40, W043WH-TG40, W043BR-TG40, W043WH-MG40, W043BR-MG40.**

Применяется совместно с комплектом рамок оконных **W043-WH40, W043-BR40.**

Материал .....	SAN
Вес, кг/шт. ....	1,15
Единица измерения .....	шт.
Норма поставки, шт. ....	10

Артикул	Код	Тип остекления
W043-CG	401985900	SAN-остекление кристаллическое
W043-TG	401986000	SAN-остекление прозрачное
W043-MG	417500275	SAN-остекление матовое



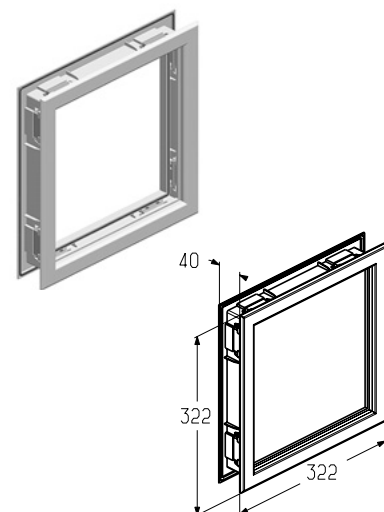
### Комплект рамок

Используется для остекления гаражных и промышленных ворот с рисунком полотна микроволна, S-гофр, M-гофр, L-гофр в составе вставок светопрозрачных **W050WH-CG40, W050BR-CG40, W050WH-40, W050BR-40, W050WH-MG40, W050BR-MG40.**

Применяется совместно с заполнением светопрозрачным **W050-CG, W050-TG, W050-MG.**

Материал .....	ABS
Вес, кг/шт. ....	1,59
Единица измерения .....	шт.
Норма поставки, шт. ....	10

Артикул	Код	Цвет
W050-WH40	401987300	Белый
W050-BR40	401987400	Коричневый





## АКСЕССУАРЫ ДЛЯ СЕКЦИОННЫХ ВОРОТ

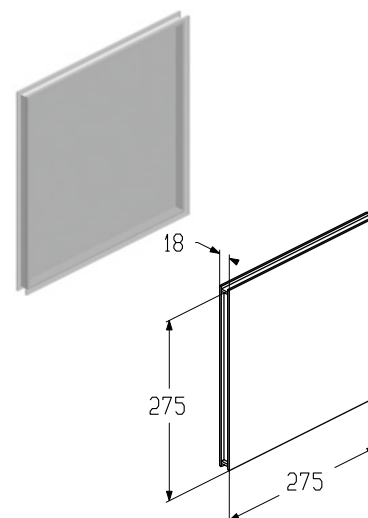
## Заполнение светопрозрачное

Используется для остекления гаражных и промышленных ворот с рисунком полотна микроволна, S-, M-, L-гофр в составе вставок светопрозрачных **W050WH-CG40, W050BR-CG40, W050WH-40, W050BR-40, W050WH-MG40, W050BR-MG40.**

Применяется совместно с комплектом рамок оконных **W050-WH40, W050-BR40.**

Материал .....	SAN
Вес, кг/шт. ....	0,97
Единица измерения .....	шт.
Норма поставки, шт. ....	10

Артикул	Код	Тип остекления
W050-CG	401986300	SAN-остекление кристаллическое
W050-TG	401986100	SAN-остекление прозрачное
W050-MG	417500276	SAN-остекление матовое



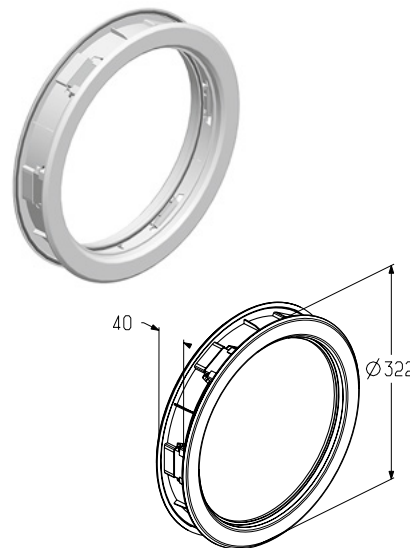
## Комплект рамок

Используется для остекления гаражных и промышленных ворот с рисунком полотна микроволна, S-, M-, L-гофр в составе вставок светопрозрачных **W060WH-CG40, W060BR-CG40, W060WH-40, W060BR-40, W060WH-MG40, W060BR-MG40.**

Применяется совместно с заполнением светопрозрачным **W060-CG, W060-TG, W060-MG.**

Материал .....	ABS
Вес, кг/шт. ....	1,47
Единица измерения .....	шт.
Норма поставки, шт. ....	10

Артикул	Код	Цвет
W060-WH40	401987500	Белый
W060-BR40	401987600	Коричневый



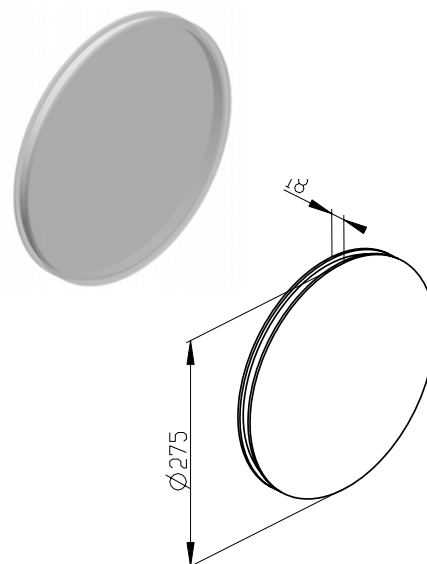
## Заполнение светопрозрачное

Используется для остекления гаражных и промышленных ворот с рисунком полотна микроволна, S-, M-, L-гофр в составе вставок светопрозрачных **W060WH-CG40, W060BR-CG40, W060WH-40, W060BR-40, W060WH-MG40, W060BR-MG40.**

Применяется совместно с комплектом рамок оконных **W060-WH40, W060-BR40.**

Материал .....	SAN
Вес, кг/шт. ....	0,98
Единица измерения .....	шт.
Норма поставки, шт. ....	10

Артикул	Код	Тип остекления
W060-CG	401986400	SAN-остекление кристаллическое
W060-TG	401986200	SAN-остекление прозрачное
W060-MG	417500277	SAN-остекление матовое



## АКСЕССУАРЫ ДЛЯ СЕКЦИОННЫХ ВОРОТ

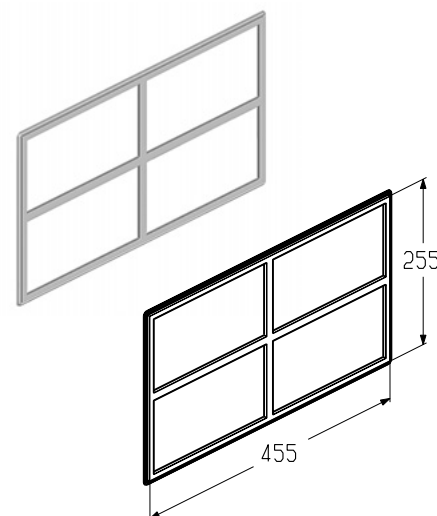
### Вставка декоративная Cross

Предназначена для установки совместно со вставкой светопрозрачной (**W043WH-CG40, W043WH-TG40, W043WH-MG40, W043BR-CG40, W043BR-TG40, W043BR-MG40**).

Используется для остекления гаражных и промышленных ворот с рисунком полотна микроволна, S-, M-, L-гофр.

Вес, кг/шт. .... 1,1  
Единица измерения ..... шт.  
Норма поставки, шт. .... 80

Артикул	Код	Цвет
DIC043WH	401983400	Белый
DIC043BR	401983500	Коричневый



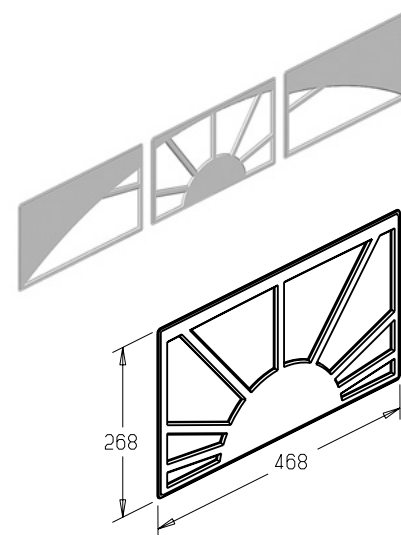
### Комплект вставок декоративных Sunrise 3

Предназначена для установки совместно со вставкой светопрозрачной (**W043WH-CG40, W043WH-TG40, W043WH-MG40, W043BR-CG40, W043BR-TG40, W043BR-MG40**).

Используется для остекления гаражных и промышленных ворот с рисунком полотна микроволна, S-, M-, L-гофр.

Вес, кг/шт. .... 0,49  
Единица измерения ..... шт.  
Норма поставки, шт. .... 20

Артикул	Код	Цвет
DIS043WH-3	401982500	Белый
DIS043BR-3	401981900	Коричневый



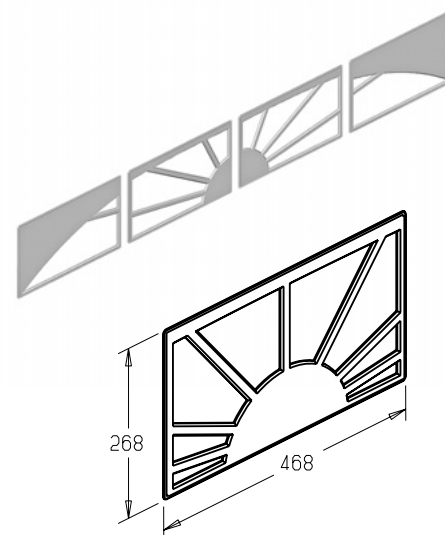
### Комплект вставок декоративных Sunrise 4

Предназначена для установки совместно со вставкой светопрозрачной (**W043WH-CG40, W043WH-TG40, W043WH-MG40, W043BR-CG40, W043BR-TG40, W043BR-MG40**).

Используется для остекления гаражных и промышленных ворот с рисунком полотна микроволна, S-, M-, L-гофр.

Вес, кг/шт. .... 0,58  
Единица измерения ..... шт.  
Норма поставки, шт. .... 20

Артикул	Код	Цвет
DIS043WH-4	401981500	Белый
DIS043BR-4	401982600	Коричневый



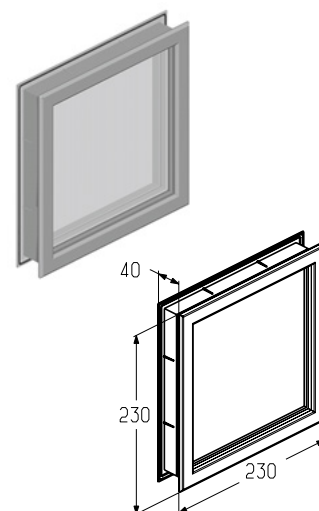
## АКСЕССУАРЫ ДЛЯ СЕКЦИОННЫХ ВОРОТ

**Вставка светопрозрачная**

Используется для остекления гаражных и промышленных ворот с рисунком полотна микроволна, S-, M-, L-гофр.

Материал ..... нержавеющая сталь  
 Вес, кг/шт. .... 1,2  
 Единица измерения ..... шт.  
 Норма поставки, шт. .... 1

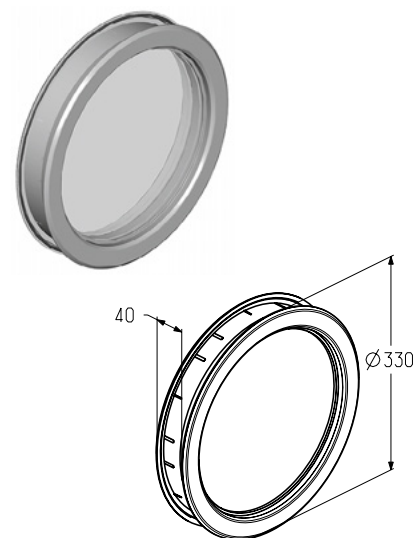
Артикул	Код	Тип остекления
W51SS-40	401985700	Однокамерный пакет из акрилата

**Вставка светопрозрачная**

Используется для остекления гаражных и промышленных ворот с рисунком полотна микроволна, S-, M-, L-гофр.

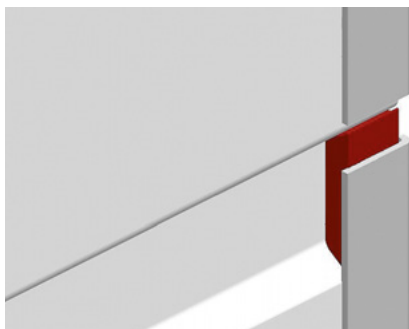
Материал ..... нержавеющая сталь  
 Вес, кг/шт. .... 1,2  
 Единица измерения ..... шт.  
 Норма поставки, шт. .... 1

Артикул	Код	Тип остекления
W61SS-40	401985800	Безопасное стекло



## АКСЕССУАРЫ ДЛЯ СЕКЦИОННЫХ ВОРОТ

### УСТАНОВКА ЗАГЛУШКИ МЕЖПАНЕЛЬНОЙ И ЗАГЛУШКИ



**Заглушка межпанельная  
(P-1501)**



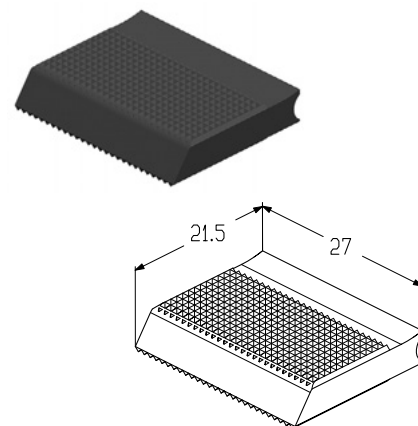
**Заглушка  
(P-1502)**

#### Заглушка межпанельная

Устанавливается совместно с боковой накладкой (EC-40.450R/L, EC-40.500R/L, EC-40.625R/L, EC-40.500DR/L, EC-40.625DR/L). Используется в гаражных и промышленных воротах с рисунками полотна S-, M- и L-гофр.

Материал .....	TPER
Вес, кг/шт. ....	0,002
Единица измерения .....	шт.
Норма поставки, шт. ....	5000

Артикул	Код
P-1501	401990100

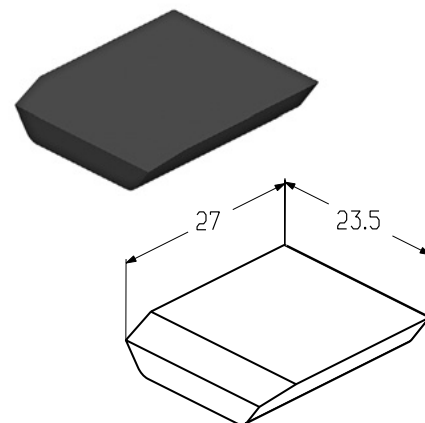


#### Заглушка

Устанавливается совместно с боковой накладкой (EC-40.450R/L, EC-40.500R/L, EC-40.625R/L). Используется в гаражных и промышленных воротах с рисунками полотна S- и M-гофр.

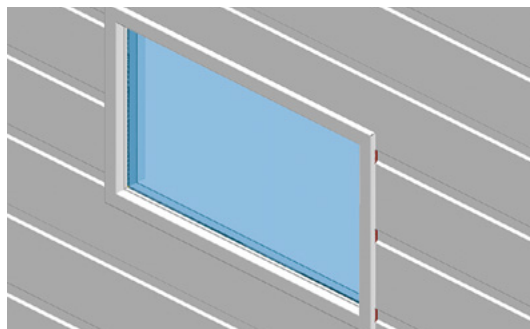
Материал .....	TPER
Вес, кг/шт. ....	0,001
Единица измерения .....	шт.
Норма поставки, шт. ....	5000

Артикул	Код
P-1502	401990200



## АКСЕССУАРЫ ДЛЯ СЕКЦИОННЫХ ВОРОТ

## УСТАНОВКА ЗАГЛУШКИ ОКОННОЙ



Заглушка оконная  
P1012

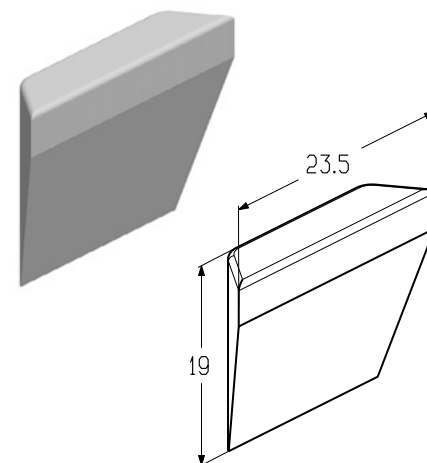
## Заглушка оконная

Устанавливается совместно со вставками светопрозрачными:

- W085-40, W095-40, W046-40, W043WH-TG40, W043WH-CG40, W043WH-MG40, W043BR-TG40, W043BR-CG40, W043BR-MG40;
- W050WH-40, W050WH-CG40, W050WH-MG40, W050BR-40, W050BR-CG40, W050BR-MG40;
- W060WH-40, W060WH-CG40, W060WH-MG40, W060BR-40, W060BR-CG40, W060BR-MG40.

Используется в гаражных и промышленных воротах с рисунками полотна S- и М-гофр.

Материал ..... полиуретан  
 Вес, кг/шт. .... 0,002  
 Единица измерения ..... шт.  
 Норма поставки, шт ..... 6000



Артикул	Код
P1012	401982400

## АКСЕССУАРЫ ДЛЯ СЕКЦИОННЫХ ВОРОТ

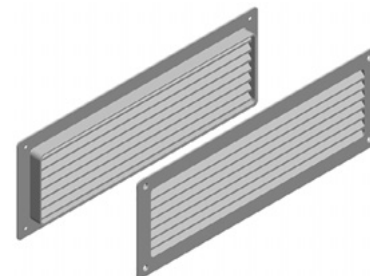
### Решетка вентиляционная

Используется:

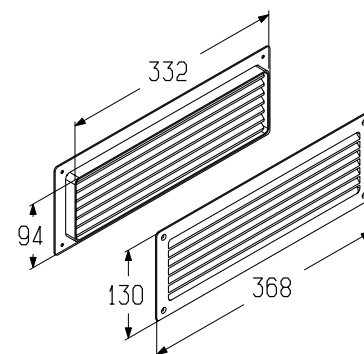
- в гаражных воротах с пружинами растяжения и торсионными пружинами всех типов монтажа;
- в промышленных воротах всех типов монтажа.

Применяется для ворот с рисунками полотна микроволна, S-, M- и L-гофр.

Материал ..... пластмасса  
 Вес, кг/к-т ..... 0,48  
 Единица измерения ..... к-т  
 Норма поставки, к-т ..... 10



Артикул	Код	Тип	Цвет с наружной стороны	Состав комплекта		
				арт.	код	кол-во
VG-368RWH	401900000	регулируемая	Белый	MV350Rs-W	4000358	1
				MV350s-W	4000357	1
				3,9×19 сверл.	1598	8
VG-368RBK	401900100	регулируемая	Черный	MV350Rs-W	4000358	1
				MV350s-B	4000359	1
				3,9×19 сверл.	1598	8
VG-368WH	401900200	нерегулируемая	Белый	MV350s-W	4000357	2
				3,9×19 сверл.	1598	8
VG-368BK	401900300	нерегулируемая	Черный	MV350s-W	4000357	1
				MV350s-B	4000359	1
				3,9×19 сверл.	1598	8



### Решетка вентиляционная регулируемая (белая)

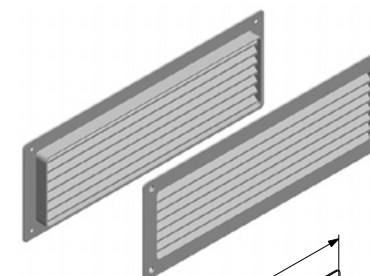
### Решетка вентиляционная нерегулируемая (белая/черная)

Используется:

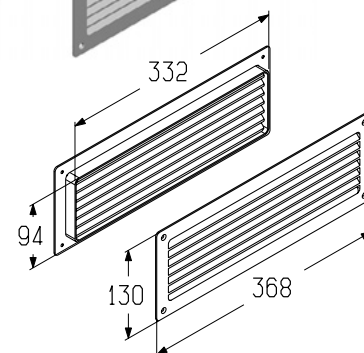
- в гаражных воротах с пружинами растяжения и торсионными пружинами всех типов монтажа;
- в промышленных воротах всех типов монтажа.

Применяется для ворот с рисунками полотна микроволна, S-, M- и L-гофр.

Материал ..... пластмасса  
 Единица измерения ..... шт.  
 Норма поставки, шт. .... 10

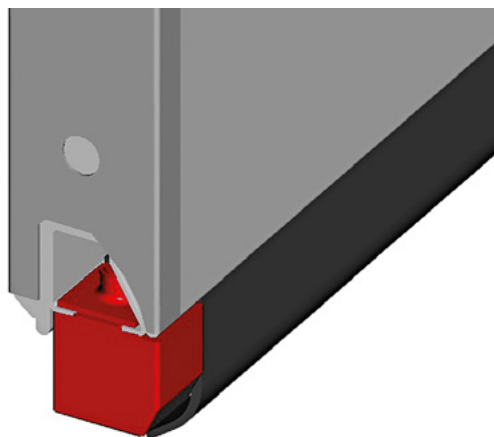


Артикул	Код	Тип решетки	Вес, кг	Цвет
MV350Rs-W	4000358	регулируемая	0,24	Белый
MV350s-W	4000357	нерегулируемая	0,16	Белый
MV350s-B	4000359		0,17	Черный



## АКСЕССУАРЫ ДЛЯ СЕКЦИОННЫХ ВОРОТ

## УСТАНОВКА УПОРА НИЖНЕГО

**Упор нижний**

Используется:

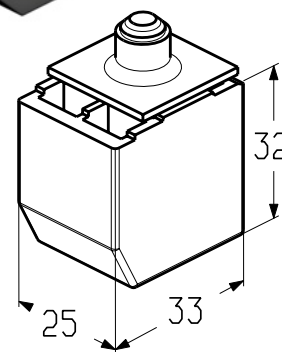
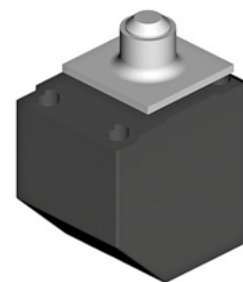
- в гаражных воротах с пружинами растяжения и торсионными пружинами всех типов монтажа;
- в промышленных воротах всех типов монтажа.

Материал ..... HDPE

Вес, кг/шт. .... 0,041

Единица измерения ..... шт.

Норма поставки, шт. .... 500



Артикул	Код
LS-1017	401940400





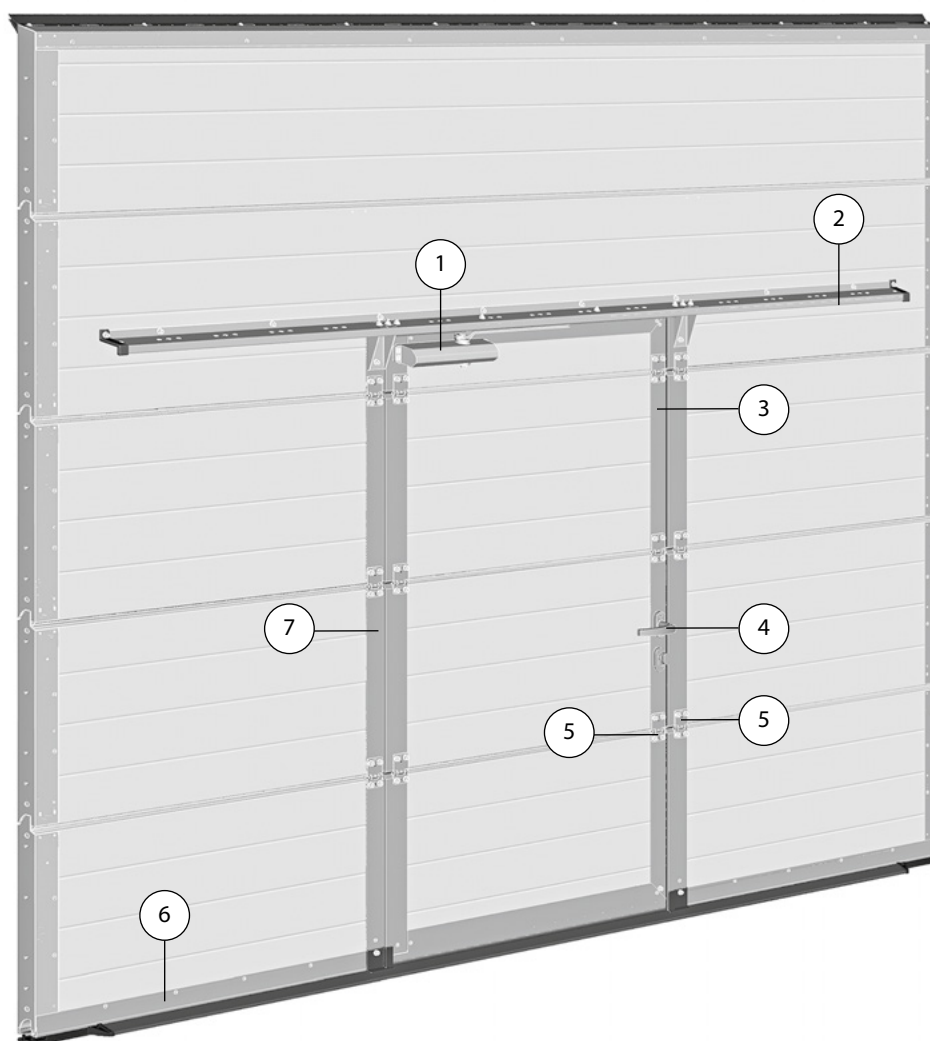
# 1.3

Встроенная калитка

---

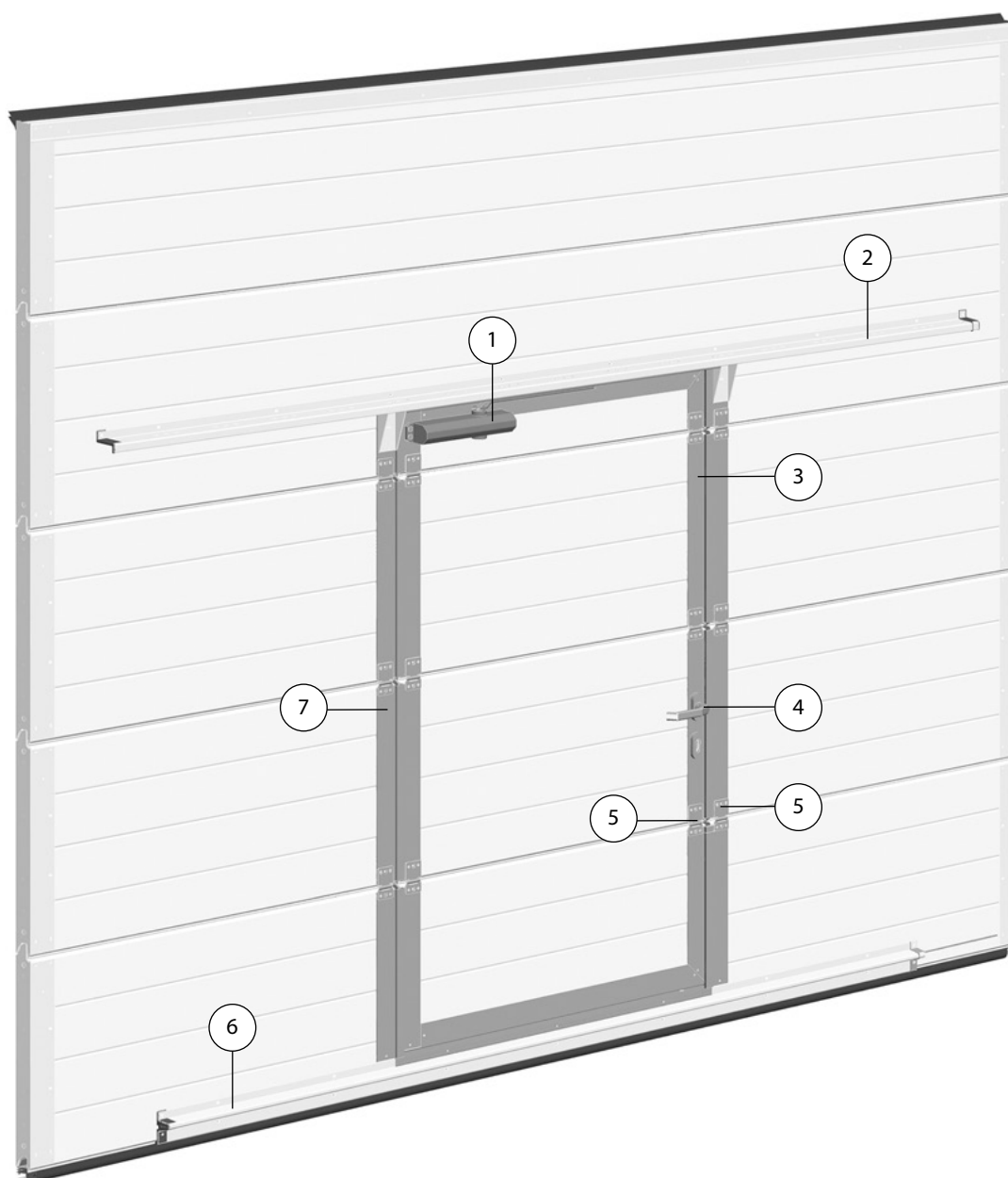


## ТИПОВАЯ КОНСТРУКЦИЯ КАЛИТКИ С ПЛОСКИМ ПОРОГОМ ВЫСОТОЙ 18 ММ



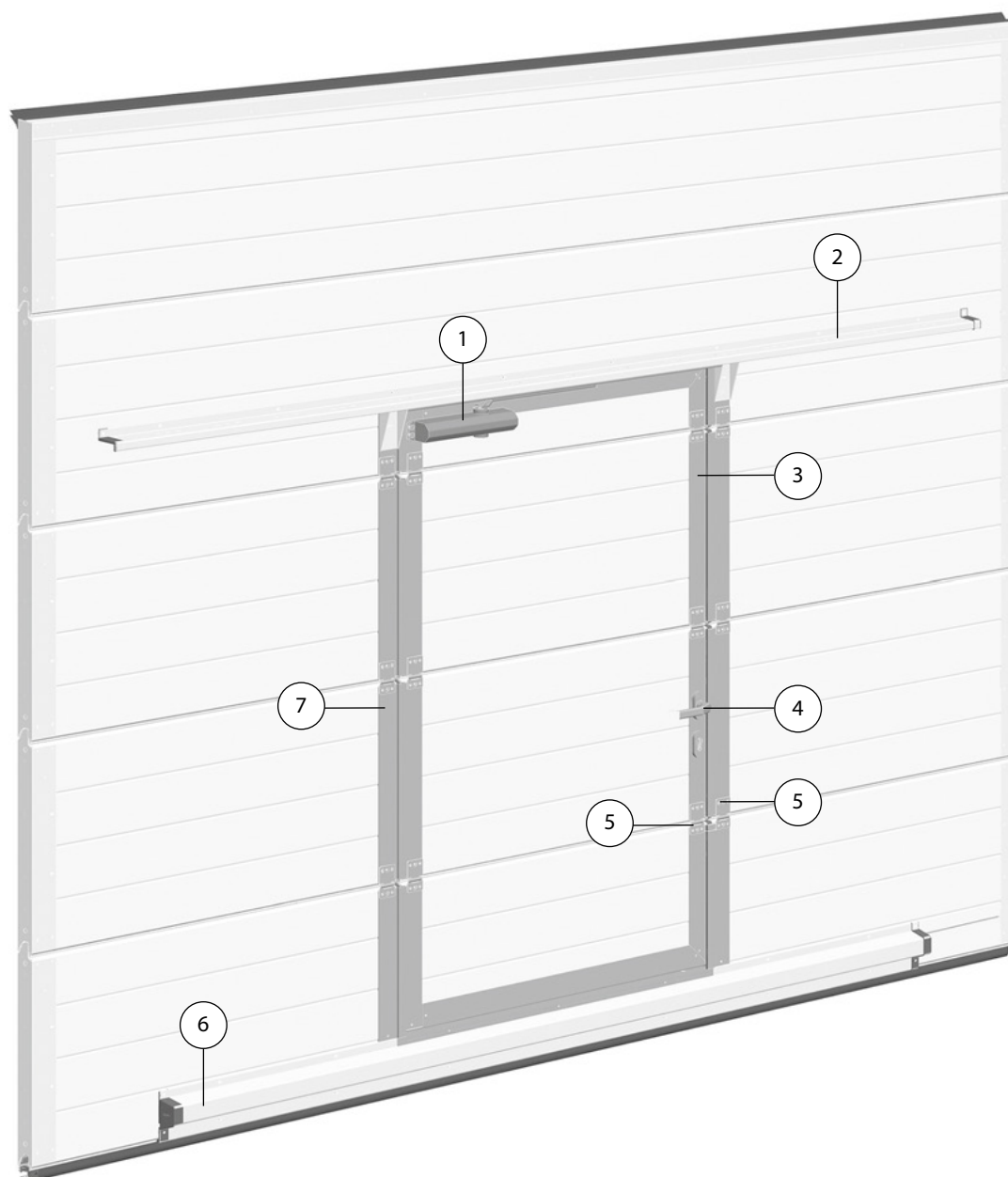
№	Наименование
1	Доводчик дверной
2	Профиль усиливающий <b>PRG-17</b>
3	Обрамление калитки
4	Комплект ручек
5	Петля промежуточная
6	Профиль воротный <b>PRD113</b>
7	Обрамление проема

## ТИПОВАЯ КОНСТРУКЦИЯ КАЛИТКИ С НИЗКИМ ПОРОГОМ ВЫСОТОЙ 100 ММ



№	Наименование
1	Доводчик дверной
2	Профиль усиливающий <b>PRG-17</b>
3	Обрамление калитки
4	Комплект ручек
5	Петля промежуточная
6	Профиль усиливающий <b>PRG-12</b>
7	Обрамление проема

## ТИПОВАЯ КОНСТРУКЦИЯ КАЛИТКИ СО СТАНДАРТНЫМ ПОРОГОМ ВЫСОТОЙ 145 ММ



№	Наименование
1	Доводчик дверной
2	Профиль усиливающий <b>PRG-17</b>
3	Обрамление калитки
4	Комплект ручек
5	Петля промежуточная
6	Профиль усиливающий <b>PRG-13</b>
7	Обрамление проема

1.1

1.2

1.3

1.4

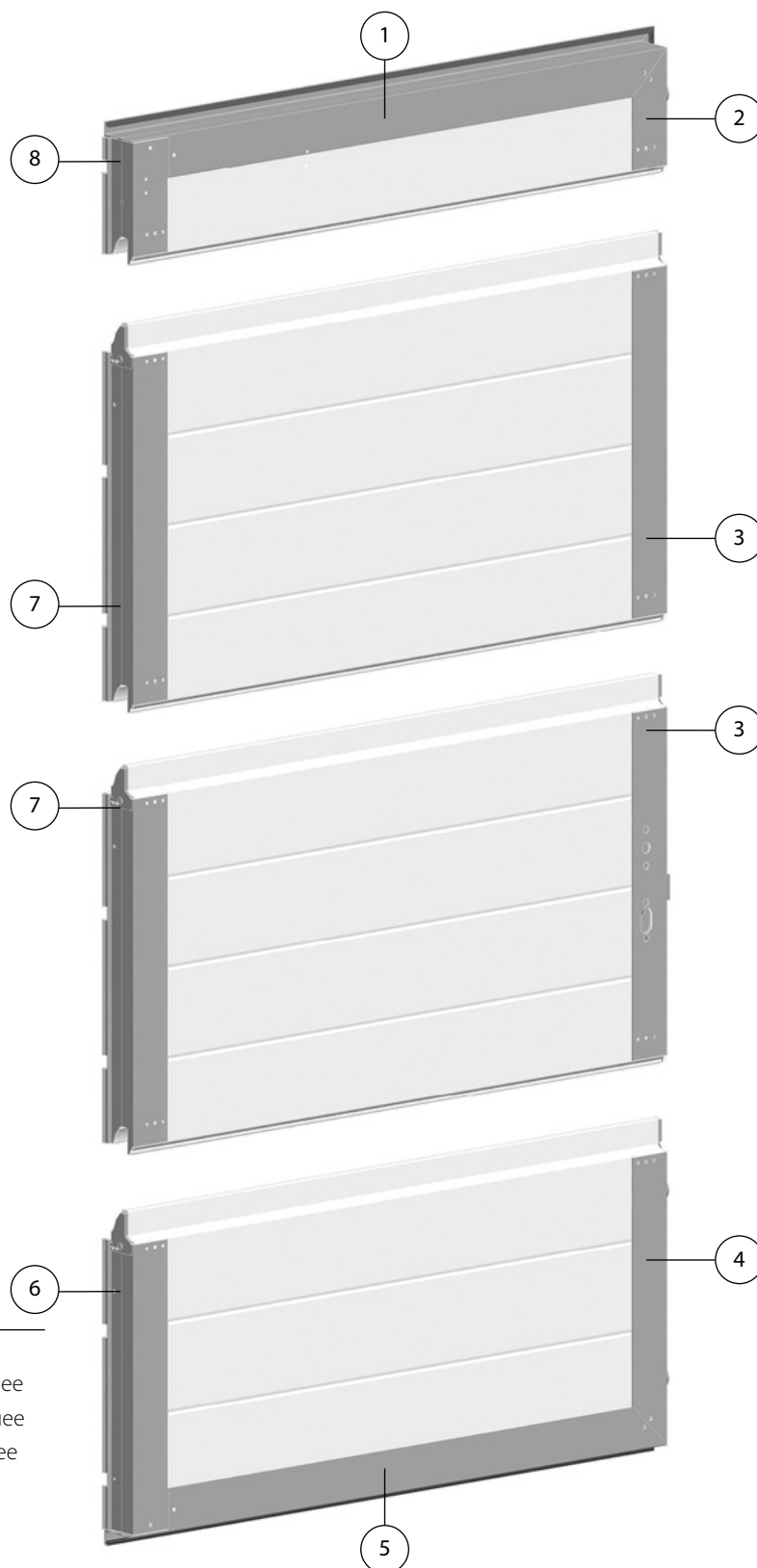
1.5

2

3

4

## ОБРАМЛЕНИЕ КАЛИТКИ



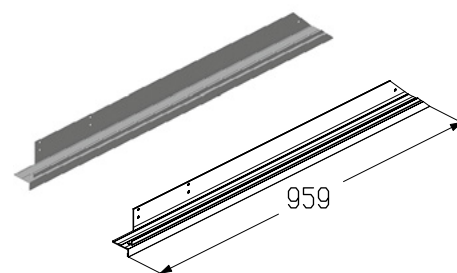
№	Наименование
1	Обрамление верха калитки
2	Обрамление калитки верхнее
3	Обрамление калитки среднее
4	Обрамление калитки нижнее
5	Обрамление низа калитки
6	Петля калитки нижняя
7	Петля калитки средняя
8	Петля калитки верхняя

## ОБРАМЛЕНИЕ КАЛИТКИ

## Обрамление верха калитки

Предназначено для обрамления верхней калиточной панели.  
Используется в калитке с плоским, стандартным и низким порогом.

Длина, мм	959
Материал	алюминий
Вес, кг/шт.	0,66
Единица измерения	шт.
Норма поставки, шт.	10

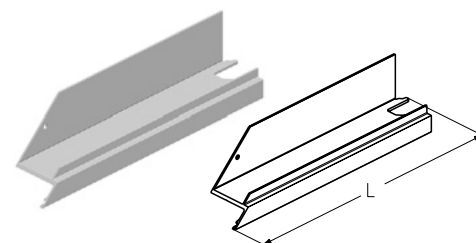


Артикул	Код	Покрытие	Цвет	Применение
WD-40.403R.203H	407910405	Анодированное	A00-D6 (серебро)	Для ворот с правой калиткой
	407910406	Порошковое	RAL 8019*	
WD-40.403L.203H	407910409	Анодированное	A00-D6 (серебро)	Для ворот с левой калиткой
	407910410	Порошковое	RAL 8019*	

## Обрамление калитки верхнее

Предназначено для обрамления верхней калиточной панели.  
Используется в калитке с плоским, стандартным и низким порогом.

Материал	алюминий
Единица измерения	шт.
Норма поставки, шт.	10

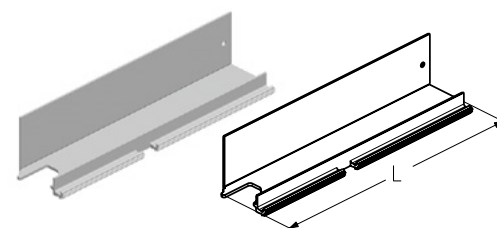


Артикул	Код	Покрытие	Цвет	Длина (L), мм	Вес, кг/шт.	Применение
WD-40.403R.202	404012391	Анодированное	A00-D6 (серебро)	191	0,115	Для ворот с правой калиткой
	404012833	Порошковое	RAL 8019*			
WD-40.404R.202	404012591	Анодированное	A00-D6 (серебро)	316	0,197	
	404013033	Порошковое	RAL 8019*			
WD-40.403L.202	404012291	Анодированное	A00-D6 (серебро)	191	0,115	Для ворот с левой калиткой
	404012733	Порошковое	RAL 8019*			
WD-40.404L.202	404012491	Анодированное	A00-D6 (серебро)	316	0,197	
	404012933	Порошковое	RAL 8019*			

## Петля калитки верхняя

Предназначена для обрамления верхней калиточной панели.  
Используется в калитке с плоским, стандартным и низким порогом.

Материал	алюминий
Единица измерения	шт.
Норма поставки, шт.	10



Артикул	Код	Покрытие	Цвет	Длина (L), мм	Вес, кг/шт.	Применение
WD-40.403R.201	404210591	Анодированное	A00-D6 (серебро)	156	0,123	Для ворот с правой калиткой
	404211733	Порошковое	RAL 8019*			
WD-40.404R.201	404210791	Анодированное	A00-D6 (серебро)	281	0,223	
	404211933	Порошковое	RAL 8019*			
WD-40.403L.201	404210491	Анодированное	A00-D6 (серебро)	156	0,123	Для ворот с левой калиткой
	404211633	Порошковое	RAL 8019*			
WD-40.404L.201	404210691	Анодированное	A00-D6 (серебро)	281	0,223	
	404211833	Порошковое	RAL 8019*			

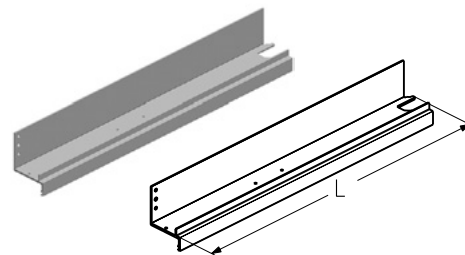
\* Указанные цвета имеют близкое соответствие шкале RAL.

## ОБРАМЛЕНИЕ КАЛИТКИ

### Обрамление калитки среднее

Предназначено для обрамления третьей или четвертой калиточной панели.  
Используется в калитке с плоским, стандартным и низким порогом.

Материал ..... алюминий  
Единица измерения ..... шт.  
Норма поставки, шт. .... 10

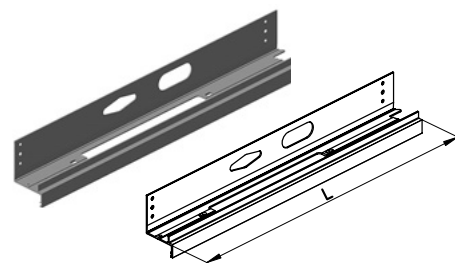


Артикул	Код	Покрытие	Цвет	Длина (L), мм	Вес, кг/шт.	Применение
WD-40.350R.202	404011991	Анодированное	A00-D6 (серебро)	479	0,352	Для ворот с правой калиткой
	404012433	Порошковое	RAL 8019*			
WD-40.360R.202	404012191	Анодированное	A00-D6 (серебро)	604	0,445	
	404012633	Порошковое	RAL 8019*			
WD-40.350L.202	404011891	Анодированное	A00-D6 (серебро)	479	0,352	Для ворот с левой калиткой
	404012333	Порошковое	RAL 8019*			
WD-40.360L.202	404012091	Анодированное	A00-D6 (серебро)	604	0,445	
	404012533	Порошковое	RAL 8019*			

### Обрамление калитки среднее

Предназначено для обрамления второй или третьей калиточной панели.  
Используется в калитке с плоским, стандартным и низким порогом совместно с ручками **WL2021-SL**, **WL2021-BR**, **WL2021-BK**, **WL2022-SL**, **WL2022-BR**, **WL2022-BK**, **PED-2040R**, **PED-2040L**.

Материал ..... алюминий  
Единица измерения ..... шт.  
Норма поставки, шт. .... 10

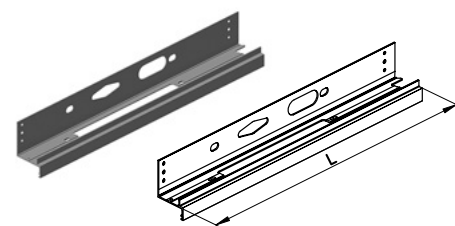


Артикул	Код	Покрытие	Цвет	Длина (L), мм	Вес, кг/шт.	Применение
WD-40.250R.202KfV	407910273	Анодированное	A00-D6 (серебро)	479	0,323	Для ворот с правой калиткой
	407910272	Порошковое	RAL 8019 30*			
WD-40.260R.202KfV	407910279	Анодированное	A00-D6 (серебро)	604	0,416	
	407910278	Порошковое	RAL 8019*			
WD-40.250L.202KfV	407910327	Анодированное	A00-D6 (серебро)	479	0,323	Для ворот с левой калиткой
	407910326	Порошковое	RAL 8019*			
WD-40.260L.202KfV	407910333	Анодированное	A00-D6 (серебро)	604	0,416	
	407910332	Порошковое	RAL 8019*			

### Обрамление калитки среднее

Предназначено для обрамления второй или третьей калиточной панели.  
Используется в калитке с плоским, стандартным и низким порогом совместно с ручками **FLGU.400.1008**, **FLGU.400.1009**.

Материал ..... алюминий  
Единица измерения ..... шт.  
Норма поставки, шт. .... 10



Артикул	Код	Покрытие	Цвет	Длина (L), мм	Вес, кг/шт.	Применение
WD-40.250R.202KfV-01	407910255	Анодированное	A00-D6 (серебро)	479	0,323	Для ворот с правой калиткой
	407910254	Порошковое	RAL 8019 30*			
WD-40.260R.202KfV-01	407910261	Анодированное	A00-D6 (серебро)	604	0,416	
	407910260	Порошковое	RAL 8019*			
WD-40.250L.202KfV-01	407910309	Анодированное	A00-D6 (серебро)	479	0,323	Для ворот с левой калиткой
	407910308	Порошковое	RAL 8019*			
WD-40.260L.202KfV-01	407910315	Анодированное	A00-D6 (серебро)	604	0,416	
	407910314	Порошковое	RAL 8019*			

\* Указанные цвета имеют близкое соответствие шкале RAL.

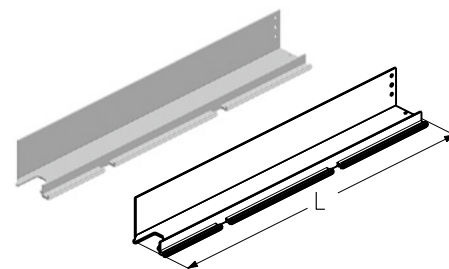


## ОБРАМЛЕНИЕ КАЛИТКИ

## Петля калитки средняя

Предназначена для обрамления четвертой, третьей и второй калиточной панели.  
Используется в калитке с плоским, стандартным и низким порогом.

Материал ..... алюминий  
Единица измерения ..... шт.  
Норма поставки, шт. .... 10

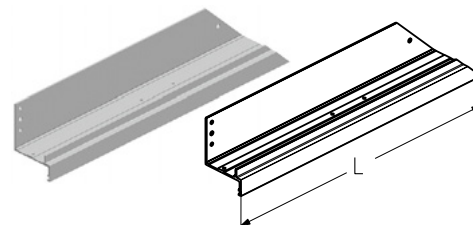


Артикул	Код	Покрытие	Цвет	Длина (L), мм	Вес, кг/шт.	Применение
WD-40.250R.201	404220391	Анодированное	A00-D6 (серебро)	479	0,386	Для ворот с правой калиткой
	404221333	Порошковое	RAL 8019*			
WD-40.260R.201	404220591	Анодированное	A00-D6 (серебро)	604	0,490	
	404221533	Порошковое	RAL 8019*			
WD-40.250L.201	404220291	Анодированное	A00-D6 (серебро)	479	0,386	Для ворот с левой калиткой
	404221233	Порошковое	RAL 8019*			
WD-40.260L.201	404220491	Анодированное	A00-D6 (серебро)	604	0,490	
	404221433	Порошковое	RAL 8019*			

## Обрамление калитки нижнее

Предназначено для обрамления нижней калиточной панели.  
Используется в калитке со стандартным порогом.

Материал ..... алюминий  
Единица измерения ..... шт.  
Норма поставки, шт. .... 20

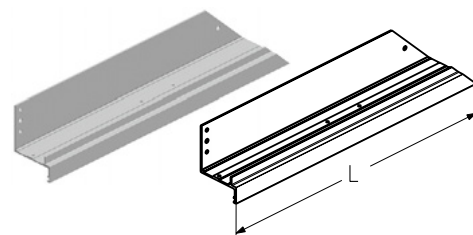


Артикул	Код	Покрытие	Цвет	Длина (L), мм	Вес, кг/шт.	Применение
WD-40.152R.202	404032591	Анодированное	A00-D6 (серебро)	377	0,258	Для ворот с правой калиткой
	404033133	Порошковое	RAL 8019*			
WD-40.162R.202	404033191	Анодированное	A00-D6 (серебро)	502	0,351	
	404033733	Порошковое	RAL 8019*			
WD-40.152L.202	404032491	Анодированное	A00-D6 (серебро)	377	0,258	Для ворот с левой калиткой
	404033033	Порошковое	RAL 8019*			
WD-40.162L.202	404033091	Анодированное	A00-D6 (серебро)	502	0,351	
	404033633	Порошковое	RAL 8019*			

## Обрамление калитки нижнее

Предназначено для обрамления нижней калиточной панели.  
Используется в калитке с низким порогом.

Материал ..... алюминий  
Единица измерения ..... шт.  
Норма поставки, шт. .... 20



Артикул	Код	Покрытие	Цвет	Длина (L), мм	Вес, кг/шт.	Применение
WD-40.151R.202	404032391	Анодированное	A00-D6 (серебро)	422	0,291	Для ворот с правой калиткой
	404032933	Порошковое	RAL 8019*			
WD-40.161R.202	404032991	Анодированное	A00-D6 (серебро)	547	0,385	
	404033533	Порошковое	RAL 8019*			
WD-40.151L.202	404032291	Анодированное	A00-D6 (серебро)	422	0,291	Для ворот с левой калиткой
	404032833	Порошковое	RAL 8019*			
WD-40.161L.202	404032891	Анодированное	A00-D6 (серебро)	547	0,385	
	404033433	Порошковое	RAL 8019*			

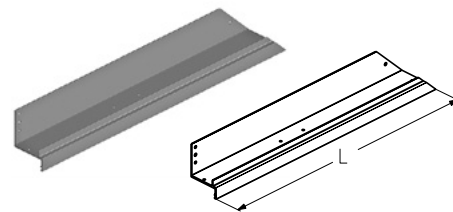
\* Указанные цвета имеют близкое соответствие шкале RAL.

## ОБРАМЛЕНИЕ КАЛИТКИ

### Обрамление калитки нижнее

Предназначено для обрамления нижней калиточной панели.  
Используется в калитке с плоским порогом.

Материал ..... алюминий  
 Единица измерения ..... шт.  
 Норма поставки, шт. .... 20

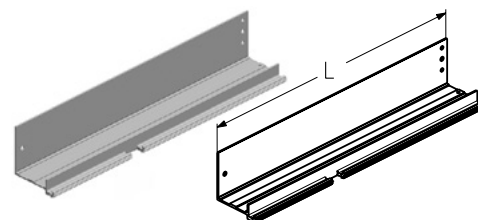


Артикул	Код	Покрытие	Цвет	Длина (L), мм	Вес, кг/шт.	Применение
WD-40.153R.202	404032791	Анодированное	A00-D6 (серебро)	478,5	0,333	Для ворот с правой калиткой
	404033333	Порошковое	RAL 8019*			
WD-40.163R.202	404033391	Анодированное	A00-D6 (серебро)	603,5	0,437	
	404033933	Порошковое	RAL 8019*			
WD-40.153L.202	404032691	Анодированное	A00-D6 (серебро)	478,5	0,333	Для ворот с левой калиткой
	404033233	Порошковое	RAL 8019*			
WD-40.163L.202	404033291	Анодированное	A00-D6 (серебро)	603,5	0,437	
	404033833	Порошковое	RAL 8019*			

### Петля калитки нижняя

Предназначена для обрамления нижней калиточной панели.  
Используется в калитке со стандартным порогом.

Материал ..... алюминий  
 Единица измерения ..... шт.  
 Норма поставки, шт. .... 20

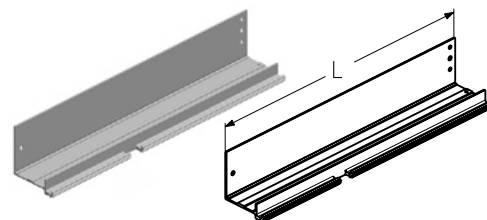


Артикул	Код	Покрытие	Цвет	Длина (L), мм	Вес, кг/шт.	Применение
WD-40.152R.201	404234091	Анодированное	A00-D6 (серебро)	355	0,290	Для ворот с правой калиткой
	404234033	Порошковое	RAL 8019*			
WD-40.162R.201	404234691	Анодированное	A00-D6 (серебро)	480	0,392	
	404234633	Порошковое	RAL 8019*			
WD-40.152L.201	404233991	Анодированное	A00-D6 (серебро)	355	0,290	Для ворот с левой калиткой
	404233933	Порошковое	RAL 8019*			
WD-40.162L.201	404234591	Анодированное	A00-D6 (серебро)	480	0,392	
	404234533	Порошковое	RAL 8019*			

### Петля калитки нижняя

Предназначена для обрамления нижней калиточной панели.  
Используется в калитке с низким порогом.

Материал ..... алюминий  
 Единица измерения ..... шт.  
 Норма поставки, шт. .... 20



Артикул	Код	Покрытие	Цвет	Длина (L), мм	Вес, кг/шт.	Применение
WD-40.151R.201	404233891	Анодированное	A00-D6 (серебро)	400	0,325	Для ворот с правой калиткой
	404233833	Порошковое	RAL 8019*			
WD-40.161R.201	404234491	Анодированное	A00-D6 (серебро)	525	0,430	
	404234433	Порошковое	RAL 8019*			
WD-40.151L.201	404233791	Анодированное	A00-D6 (серебро)	400	0,325	Для ворот с левой калиткой
	404233733	Порошковое	RAL 8019*			
WD-40.161L.201	404234391	Анодированное	A00-D6 (серебро)	525	0,430	
	404234333	Порошковое	RAL 8019*			

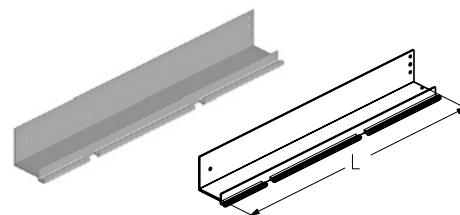
\* Указанные цвета имеют близкое соответствие шкале RAL.

## ОБРАМЛЕНИЕ КАЛИТКИ

## Петля калитки нижняя

Предназначена для обрамления нижней калиточной панели.  
Используется в калитке с плоским порогом.

Материал ..... алюминий  
Единица измерения ..... шт.  
Норма поставки, шт. .... 20

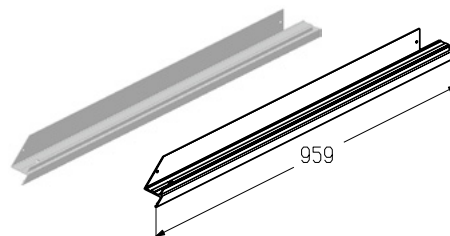


Артикул	Код	Покрытие	Цвет	Длина (L), мм	Вес, кг/шт.	Применение
WD-40.153R.201	404234291	Анодированное	A00-D6 (серебро)	456,5	0,371	Для ворот с правой калиткой
	404234233	Порошковое	RAL 8019*			
WD-40.163R.201	404234891	Анодированное	A00-D6 (серебро)	581,5	0,479	
	404234833	Порошковое	RAL 8019*			
WD-40.153L.201	404234191	Анодированное	A00-D6 (серебро)	456,5	0,371	Для ворот с левой калиткой
	404234133	Порошковое	RAL 8019*			
WD-40.163L.201	404234791	Анодированное	A00-D6 (серебро)	581,5	0,479	
	404234733	Порошковое	RAL 8019*			

## Обрамление низа калитки

Предназначено для обрамления нижней калиточной панели.  
Используется в калитке со стандартным и низким порогом.

Длина, мм ..... 959  
Вес, кг/м ..... 0,673  
Материал ..... алюминий  
Единица измерения ..... шт.  
Норма поставки, шт. .... 20

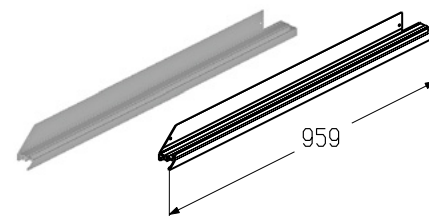


Артикул	Код	Покрытие	Цвет	Применение
WD-40.151R.203	404033591	Анодированное	A00-D6 (серебро)	Для ворот с правой калиткой
	404034133	Порошковое	RAL 8019*	
WD-40.151L.203	404033491	Анодированное	A00-D6 (серебро)	Для ворот с левой калиткой
	404034033	Порошковое	RAL 8019*	

## Обрамление низа калитки

Предназначено для обрамления нижней калиточной панели.  
Используется в калитке с плоским порогом.

Длина, мм ..... 959  
Вес, кг/м ..... 0,899  
Материал ..... алюминий  
Норма поставки, шт. .... 20

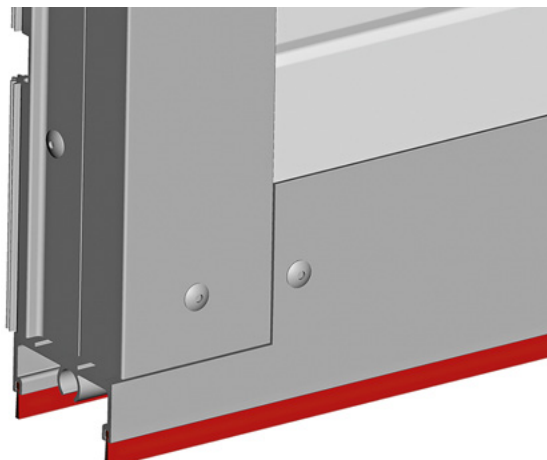


Артикул	Код	Покрытие	Цвет	Применение
WD-40.153R.203	404033791	Анодированное	A00-D6 (серебро)	Для ворот с правой калиткой
	404034333	Порошковое	RAL 8019*	
WD-40.153L.203	404033691	Анодированное	A00-D6 (серебро)	Для ворот с левой калиткой
	404034233	Порошковое	RAL 8019*	

\* Указанные цвета имеют близкое соответствие шкале RAL.

## ОБРАМЛЕНИЕ КАЛИТКИ

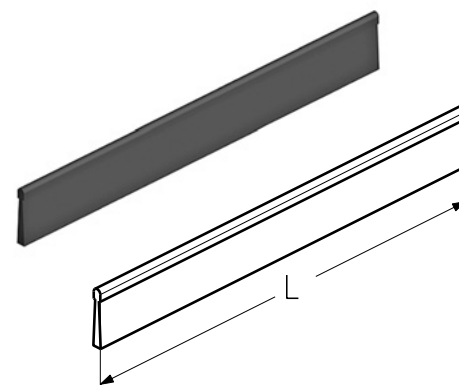
### УСТАНОВКА ВСТАВКИ-ЩЕТКИ



#### Вставка-щетка

Предназначена для герметизации нижней части проема калитки.  
Используется в калитке с плоским порогом.

Вес, кг/шт. .... 0,023  
Единица измерения ..... М  
Норма поставки, м ..... 300



Артикул	Код
BS11	404407000

## ОБРАМЛЕНИЕ КАЛИТКИ

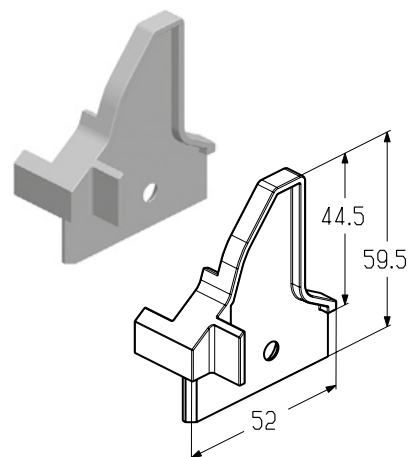
### УСТАНОВКА ЗАГЛУШКИ



#### Заглушка

Устанавливается совместно с обрамлением калитки в нижней и промежуточных панелях. Используется в калитке с плоским, стандартным и низким порогом.

Материал ..... PA  
 Вес, кг/шт. .... 0,01  
 Единица измерения ..... шт.  
 Норма поставки, шт. .... 600

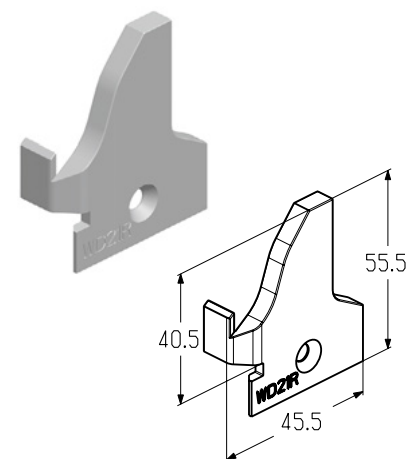


Артикул	Код	Цвет	Применение
WD-40.22R-GR	401715100	Серый	Для ворот с правой калиткой
WD-40.22R-BR	401715200	Коричневый	
WD-40.22L-GR	401715300	Серый	Для ворот с левой калиткой
WD-40.22L-BR	401715400	Коричневый	

#### Заглушка

Устанавливается совместно с петлей калитки в нижней и промежуточных панелях. Используется в калитке с плоским, стандартным и низким порогом.

Материал ..... PA  
 Вес, кг/шт. .... 0,007  
 Единица измерения ..... шт.  
 Норма поставки, шт. .... 1000



Артикул	Код	Цвет	Применение
WD-40.21R-GR	401714700	Серый	Для ворот с правой калиткой
WD-40.21R-BR	401714800	Коричневый	
WD-40.21L-GR	401714900	Серый	Для ворот с левой калиткой
WD-40.21L-BR	401715000	Коричневый	

## ОБРАМЛЕНИЕ КАЛИТКИ

### УСТАНОВКА ЛОВИТЕЛЯ

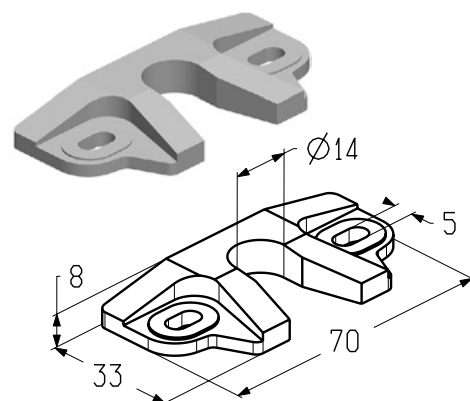


#### Ловитель

Устанавливается на обрамление калитки в первой и третьей панелях.  
Используется в калитке с плоским, стандартным и низким порогом.

Материал ..... PA  
Вес, кг/шт. .... 0,006  
Единица измерения ..... шт.  
Норма поставки, шт. .... 80

Артикул	Код
WD2011	401730100

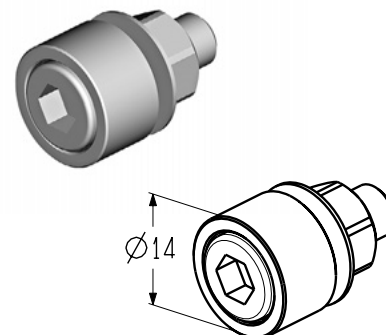


#### Комплект опоры ловителя

Применяется совместно с ловителем (WD2011).  
Устанавливается на обрамление проема в первой и третьей панелях.  
Используется в калитке с плоским, стандартным и низким порогом.

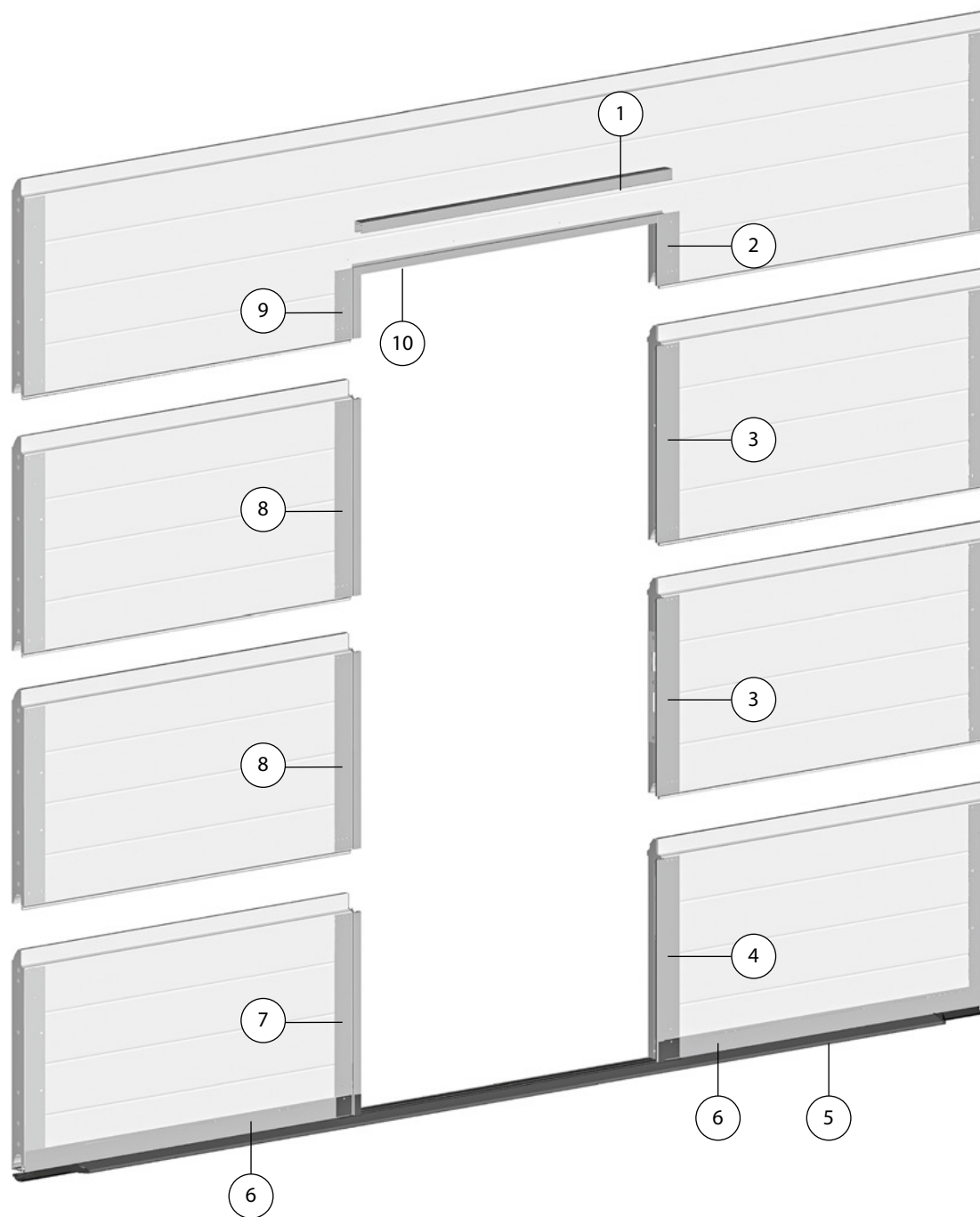
Материал ..... нержавеющая сталь  
Вес, кг/шт. .... 0,01  
Единица измерения ..... шт.  
Норма поставки, шт. .... 1000

Артикул	Код
WD2031	401730200



## УСТАНОВКА ПРОФИЛЕЙ ОБРАМЛЕНИЯ ПРОЕМА

КАЛИТКА С ПЛОСКИМ ПОРОГОМ 20 ММ



№	Наименование	№	Наименование
1	Шина доводчика	6	Профиль воротный <b>PRD113</b>
2	Обрамление проема верхнее	7	Петля проема нижняя
3	Обрамление проема среднее	8	Петля проема средняя
4	Обрамление проема нижнее	9	Петля проема верхняя
5	Профиль воротный <b>PRD112</b>	10	Обрамление верха проема

1.1

1.2

1.3

1.4

1.5

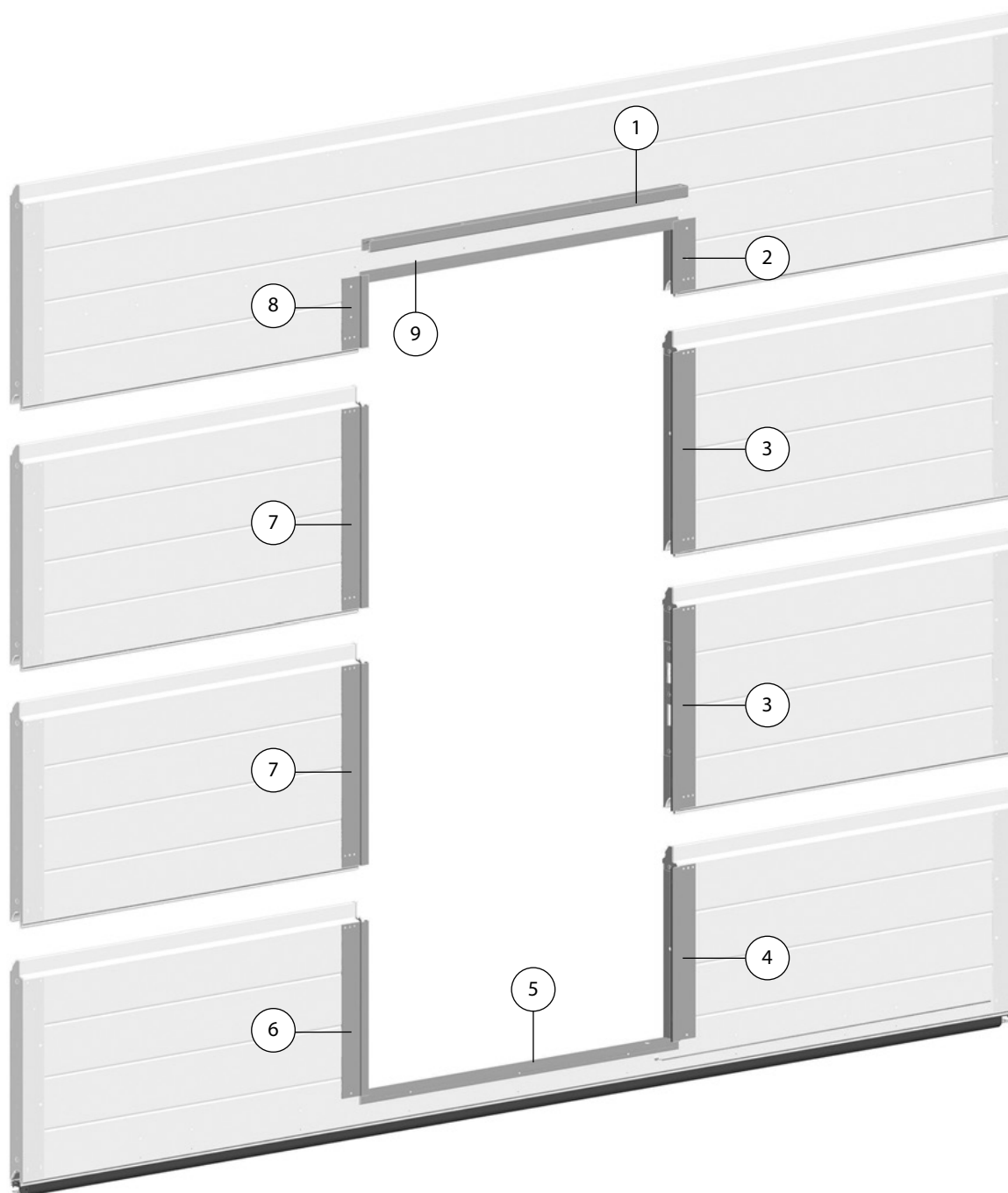
2

3

4

## УСТАНОВКА ПРОФИЛЕЙ ОБРАМЛЕНИЯ ПРОЕМА

КАЛИТКА С НИЗКИМ (ВЫСОТОЙ 100 ММ) И СТАНДАРТНЫМ (ВЫСОТОЙ 145 ММ) ПОРОГОМ



№	Наименование	№	Наименование
1	Шина доводчика	6	Петля проема нижняя
2	Обрамление проема верхнее	7	Петля проема средняя
3	Обрамление проема среднее	8	Петля проема верхняя
4	Обрамление проема нижнее	9	Обрамление верха проема
5	Обрамление низа проема		

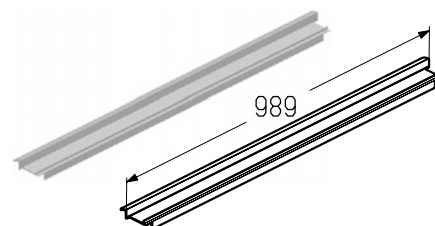


## ОБРАМЛЕНИЕ КАЛИТКИ

## Обрамление верха проема

Предназначено для обрамления проема верхней панели.  
Используется в калитке с плоским, стандартным и низким порогом.

Длина, мм	989
Материал	алюминий
Вес, кг/шт.	0,627
Единица измерения	шт.
Норма поставки, шт.	10

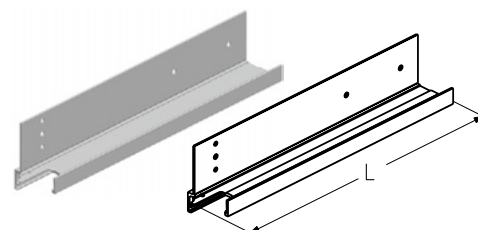


Артикул	Код	Покрытие	Цвет	Применение
WD-40.403R.103	404111191	Анодированное	A00-D6 (серебро)	Для ворот с правой калиткой
	404111633	Порошковое	RAL 8019*	
WD-40.403L.103	404111091	Анодированное	A00-D6 (серебро)	Для ворот с левой калиткой
	404111533	Порошковое	RAL 8019*	

## Обрамление проема верхнее

Предназначено для обрамления проема верхней панели.  
Используется в калитке с плоским, стандартным и низким порогом.

Материал	алюминий
Единица измерения	шт.
Норма поставки, шт.	10

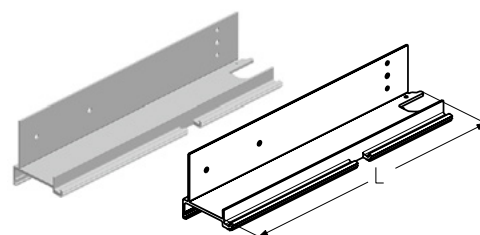


Артикул	Код	Покрытие	Цвет	Длина (L), мм	Вес, кг/шт.	Применение
WD-40.403R.302	404111391	Анодированное	A00-D6 (серебро)	182	0,123	Для ворот с правой калиткой
	404111833	Порошковое	RAL 8019*			
WD-40.404R.302	404111591	Анодированное	A00-D6 (серебро)	308	0,214	
	404112033	Порошковое	RAL 8019*			
WD-40.403L.302	404111291	Анодированное	A00-D6 (серебро)	182	0,123	Для ворот с левой калиткой
	404111733	Порошковое	RAL 8019*			
WD-40.404L.302	404111491	Анодированное	A00-D6 (серебро)	308	0,214	
	404111933	Порошковое	RAL 8019*			

## Петля проема верхняя

Предназначена для обрамления проема верхней панели.  
Используется в калитке с плоским, стандартным и низким порогом.

Материал	алюминий
Единица измерения	шт.
Норма поставки, шт.	10



Артикул	Код	Покрытие	Цвет	Длина (L), мм	Вес, кг/шт.	Применение
WD-40.403R.101	404210991	Анодированное	A00-D6 (серебро)	182	0,161	Для ворот с правой калиткой
	404212133	Порошковое	RAL 8019*			
WD-40.404R.101	404211191	Анодированное	A00-D6 (серебро)	308	0,279	
	404212333	Порошковое	RAL 8019*			
WD-40.403L.101	404210891	Анодированное	A00-D6 (серебро)	182	0,161	Для ворот с левой калиткой
	404212033	Порошковое	RAL 8019*			
WD-40.404L.101	404211091	Анодированное	A00-D6 (серебро)	308	0,279	
	404212233	Порошковое	RAL 8019*			

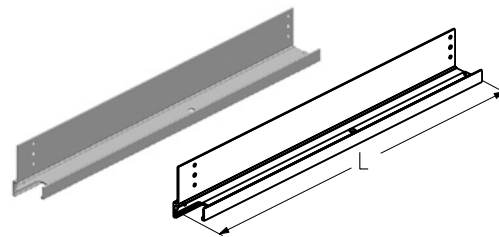
\* Указанные цвета имеют близкое соответствие шкале RAL.

## ОБРАМЛЕНИЕ КАЛИТКИ

### Обрамление проема среднее

Предназначено для обрамления проема третьей или четвертой панели.  
Используется в калитке с плоским, стандартным и низким порогом.

Материал ..... алюминий  
 Единица измерения ..... шт.  
 Норма поставки, шт. .... 10

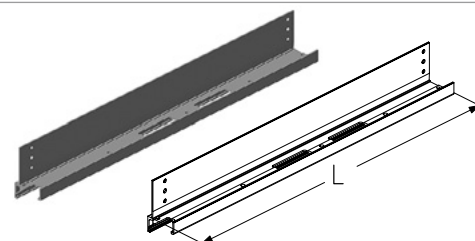


Артикул	Код	Покрытие	Цвет	Длина (L), мм	Вес, кг/шт.	Применение
WD-40.350R.302	404123791	Анодированное	A00-D6 (серебро)	479	0,350	Для ворот с правой калиткой
	404124333	Порошковое	RAL 8019*			
WD-40.360R.302	404123991	Анодированное	A00-D6 (серебро)	604	0,443	
	404124533	Порошковое	RAL 8019*			
WD-40.350L.302	404123691	Анодированное	A00-D6 (серебро)	479	0,350	Для ворот с левой калиткой
	404124233	Порошковое	RAL 8019*			
WD-40.360L.302	404123891	Анодированное	A00-D6 (серебро)	604	0,443	
	404124433	Порошковое	RAL 8019*			

### Обрамление проема среднее

Предназначено для обрамления проема второй или третьей панели.  
Используется в калитке с плоским, стандартным и низким порогом.

Материал ..... алюминий  
 Единица измерения ..... шт.  
 Норма поставки, шт. .... 10

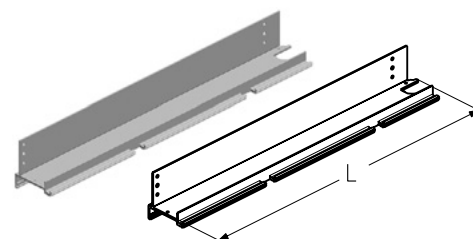


Артикул	Код	Покрытие	Цвет	Длина (L), мм	Вес, кг/шт.	Применение
WD-40.250R.302KFV	407910237	Анодированное	A00-D6 (серебро)	479	0,337	Для ворот с правой калиткой
	407910236	Порошковое	RAL 8019 30*			
WD-40.260R.302KFV	407910243	Анодированное	A00-D6 (серебро)	604	0,430	
	407910242	Порошковое	RAL 8019 30*			
WD-40.250L.302KFV	407910291	Анодированное	A00-D6 (серебро)	479	0,337	Для ворот с левой калиткой
	407910290	Порошковое	RAL 8019 30*			
WD-40.260L.302KFV	407910297	Анодированное	A00-D6 (серебро)	604	0,430	
	407910296	Порошковое	RAL 8019 30*			

### Петля проема средняя

Предназначена для обрамления проема четвертой, третьей и второй панелей.  
Используется в калитке с плоским, стандартным и низким порогом.

Материал ..... алюминий  
 Единица измерения ..... шт.  
 Норма поставки, шт. .... 10



Артикул	Код	Покрытие	Цвет	Длина (L), мм	Вес, кг/шт.	Применение
WD-40.250R.101	404220791	Анодированное	A00-D6 (серебро)	479	0,456	Для ворот с правой калиткой
	404221733	Порошковое	RAL 8019*			
WD-40.260R.101	404220991	Анодированное	A00-D6 (серебро)	604	0,476	
	404221933	Порошковое	RAL 8019*			
WD-40.250L.101	404220691	Анодированное	A00-D6 (серебро)	479	0,456	Для ворот с левой калиткой
	404221633	Порошковое	RAL 8019*			
WD-40.260L.101	404220891	Анодированное	A00-D6 (серебро)	604	0,476	
	404221833	Порошковое	RAL 8019*			

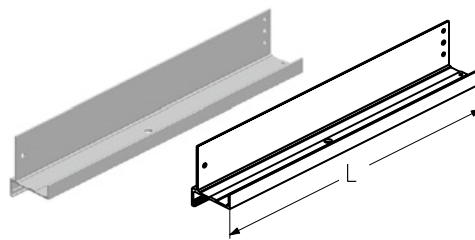
\* Указанные цвета имеют близкое соответствие шкале RAL.

## ОБРАМЛЕНИЕ КАЛИТКИ

## Обрамление проема ниже

Предназначено для обрамления проема нижней панели.  
Используется в калитке со стандартным порогом.

Материал ..... алюминий  
Единица измерения ..... шт.  
Норма поставки, шт. .... 20

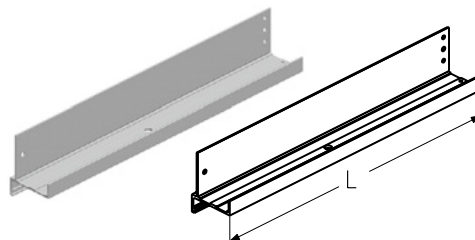


Артикул	Код	Покрытие	Цвет	Длина (L), мм	Вес, кг/шт.	Применение
WD-40.152R.302	404132491	Анодированное	A00-D6 (серебро)	366	0,350	Для ворот с правой калиткой
	404133233	Порошковое	RAL 8019*			
WD-40.162R.302	404133091	Анодированное	A00-D6 (серебро)	491	0,409	
	404133833	Порошковое	RAL 8019*			
WD-40.152L.302	404132391	Анодированное	A00-D6 (серебро)	366	0,350	Для ворот с левой калиткой
	404133133	Порошковое	RAL 8019*			
WD-40.162L.302	404132991	Анодированное	A00-D6 (серебро)	491	0,409	
	404133733	Порошковое	RAL 8019*			

## Обрамление проема ниже

Предназначено для обрамления проема нижней панели.  
Используется в калитке с низким порогом.

Материал ..... алюминий  
Единица измерения ..... шт.  
Норма поставки, шт. .... 20

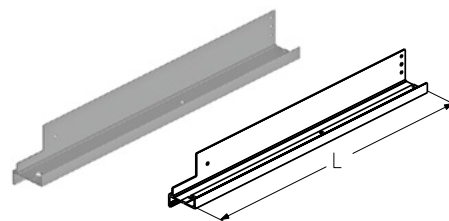


Артикул	Код	Покрытие	Цвет	Длина (L), мм	Вес, кг/шт.	Применение
WD-40.151R.302	404132291	Анодированное	A00-D6 (серебро)	411	0,343	Для ворот с правой калиткой
	404133033	Порошковое	RAL 8019*			
WD-40.161R.302	404132891	Анодированное	A00-D6 (серебро)	536	0,446	
	404133633	Порошковое	RAL 8019*			
WD-40.151L.302	404132191	Анодированное	A00-D6 (серебро)	411	0,343	Для ворот с левой калиткой
	404132933	Порошковое	RAL 8019*			
WD-40.161L.302	404132791	Анодированное	A00-D6 (серебро)	536	0,446	
	404133533	Порошковое	RAL 8019*			

## Обрамление проема ниже

Предназначено для обрамления проема нижней панели.  
Используется в калитке с плоским порогом.

Материал ..... алюминий  
Единица измерения ..... шт.  
Норма поставки, шт. .... 20



Артикул	Код	Покрытие	Цвет	Длина (L), мм	Вес, кг/шт.	Применение
WD-40.153R.302	404132691	Анодированное	A00-D6 (серебро)	483	0,350	Для ворот с правой калиткой
	404133433	Порошковое	RAL 8019*			
WD-40.163R.302	404133291	Анодированное	A00-D6 (серебро)	608	0,453	
	404134033	Порошковое	RAL 8019*			
WD-40.153L.302	404132591	Анодированное	A00-D6 (серебро)	483	0,350	Для ворот с левой калиткой
	404133333	Порошковое	RAL 8019*			
WD-40.163L.302	404133191	Анодированное	A00-D6 (серебро)	608	0,453	
	404133933	Порошковое	RAL 8019*			

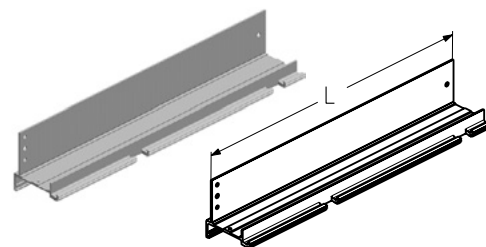
\* Указанные цвета имеют близкое соответствие шкале RAL.

## ОБРАМЛЕНИЕ КАЛИТКИ

### Петля проема нижняя

Предназначено для обрамления проема нижней панели.  
Используется в калитке со стандартным порогом.

Материал ..... алюминий  
 Единица измерения ..... шт.  
 Норма поставки, шт. .... 20

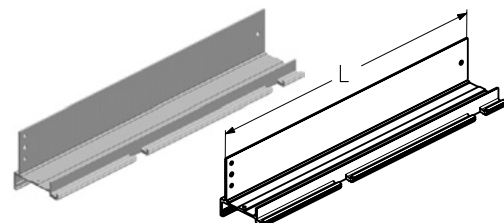


Артикул	Код	Покрытие	Цвет	Длина (L), мм	Вес, кг/шт.	Применение
WD-40.152R.101	404235291	Анодированное	A00-D6 (серебро)	366	0,355	Для ворот с правой калиткой
	404235233	Порошковое	RAL 8019*			
WD-40.162R.101	404235891	Анодированное	A00-D6 (серебро)	491	0,477	
	404235833	Порошковое	RAL 8019*			
WD-40.152L.101	404235191	Анодированное	A00-D6 (серебро)	366	0,355	Для ворот с левой калиткой
	404235133	Порошковое	RAL 8019*			
WD-40.162L.101	404235791	Анодированное	A00-D6 (серебро)	491	0,477	
	404235733	Порошковое	RAL 8019*			

### Петля проема нижняя

Предназначена для обрамления проема нижней панели.  
Используется в калитке с низким порогом.

Материал ..... алюминий  
 Единица измерения ..... шт.  
 Норма поставки, шт. .... 10

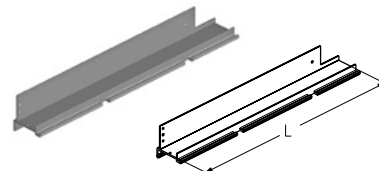


Артикул	Код	Покрытие	Цвет	Длина (L), мм	Вес, кг/шт.	Применение
WD-40.151R.101	404235091	Анодированное	A00-D6 (серебро)	411	0,399	Для ворот с правой калиткой
	404235033	Порошковое	RAL 8019*			
WD-40.161R.101	404235691	Анодированное	A00-D6 (серебро)	536	0,521	
	404235633	Порошковое	RAL 8019*			
WD-40.151L.101	404234991	Анодированное	A00-D6 (серебро)	411	0,399	Для ворот с левой калиткой
	404234933	Порошковое	RAL 8019*			
WD-40.161L.101	404235591	Анодированное	A00-D6 (серебро)	536	0,521	
	404235533	Порошковое	RAL 8019*			

### Петля проема нижняя

Предназначена для обрамления проема нижней панели.  
Используется в калитке с плоским порогом.

Материал ..... алюминий  
 Единица измерения ..... шт.  
 Норма поставки, шт. .... 20



Артикул	Код	Покрытие	Цвет	Длина (L), мм	Вес, кг/шт.	Применение
WD-40.153R.101	404235491	Анодированное	A00-D6 (серебро)	483	0,458	Для ворот с правой калиткой
	404235433	Порошковое	RAL 8019*			
WD-40.163R.101	404236091	Анодированное	A00-D6 (серебро)	608	0,591	
	404236033	Порошковое	RAL 8019*			
WD-40.153L.101	404235391	Анодированное	A00-D6 (серебро)	483	0,458	Для ворот с левой калиткой
	404235333	Порошковое	RAL 8019*			
WD-40.163L.101	404235991	Анодированное	A00-D6 (серебро)	608	0,591	
	404235933	Порошковое	RAL 8019*			

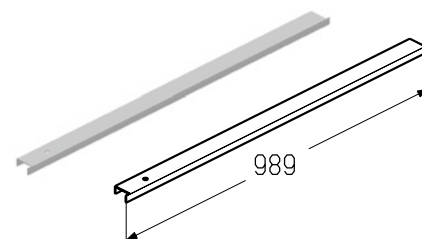
\* Указанные цвета имеют близкое соответствие шкале RAL.

## ОБРАМЛЕНИЕ ПРОЕМА

## Порог

Предназначен для установки совместно с профилями усиливающими (PRG-12, PRG-13).  
Используется в калитке со стандартным и низким порогом.

Длина, мм	989
Материал	алюминий
Вес, кг/шт.	0,416
Единица измерения	шт.
Норма поставки, шт.	10

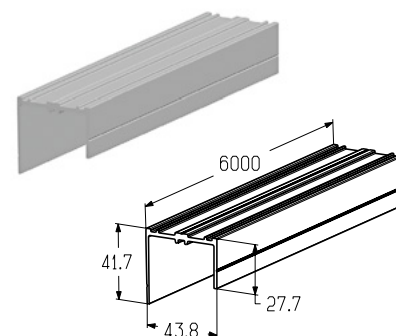


Артикул	Код	Покрытие	Цвет	Применение
WD-40.151R.103	404133491	Анодированное	A00-D6 (серебро)	Для ворот с правой калиткой
	404134233	Порошковое	RAL 8019*	
WD-40.151L.103	404133391	Анодированное	A00-D6 (серебро)	Для ворот с левой калиткой
	404134133	Порошковое	RAL 8019*	

## Профиль воротный

Предназначен для обрамления нижней панели.  
Используется в калитке с плоским порогом.

Длина, мм	6000
Вес, кг/шт.	0,61
Материал	алюминий
Единица измерения	м
Норма поставки, м	24

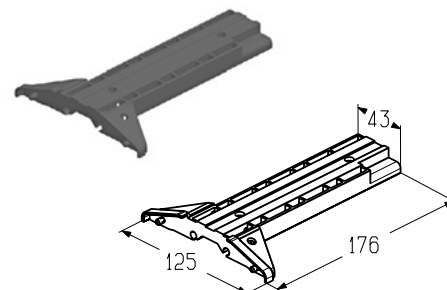


Артикул	Код	Покрытие	Цвет
PRD113	404370791	Анодированное	A00-D6 (серебро)
	404370733	Порошковое	RAL 8019*

## Вставка концевая

Устанавливается совместно с нижним профилем (PRD112).  
Используется в калитке с плоским порогом.

Материал	PA
Цвет	черный
Вес, кг/шт.	0,065
Единица измерения	шт.
Норма поставки, шт.	60



Артикул	Код	Применение
WD-40.2033R	401715900	Правая
WD-40.2033L	401716000	Левая

\* Указанные цвета имеют близкое соответствие шкале RAL.

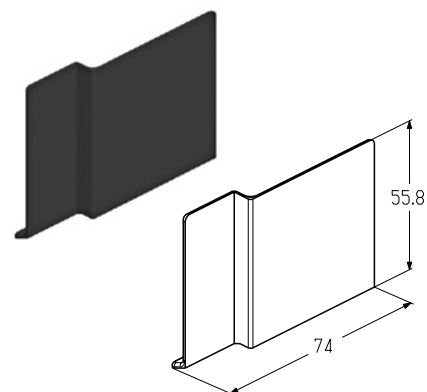
## ОБРАМЛЕНИЕ ПРОЕМА

### Заглушка калиточная

Устанавливается совместно с нижним профилем (**PRD112** и **PRD113**).  
Используется в калитке с плоским порогом.

Материал ..... ABS  
Вес, кг/шт. .... 0,009  
Единица измерения ..... шт.  
Норма поставки, шт. .... 500

Артикул	Код	Применение
WD2034R-BK	401713700	Правая
WD2034L-BK	401713600	Левая

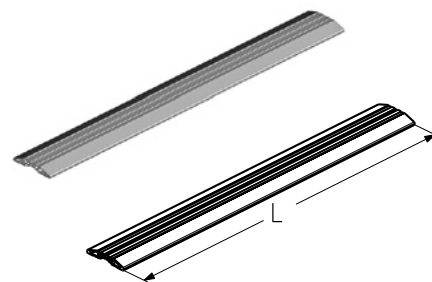


### Профиль воротный

Предназначен для установки в нижнюю панель. Выполняет функцию порога калитки.  
Используется в калитке с плоским порогом.

Материал ..... алюминий  
Длина (L), мм ..... 6000  
Вес, кг/м ..... 2,38  
Единица измерения ..... м  
Норма поставки, м ..... 12

Артикул	Код	Покрытие	Цвет*
PRD112	404370130	Порошковое	RAL 9005

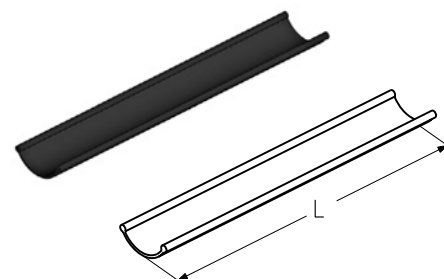


### Вставка уплотнительная

Предназначена для герметизации нижней части проема.  
Устанавливается в профиль воротный (**PRD112**).  
Используется в калитке с плоским порогом.

Материал ..... EPDM  
Вес, кг/м ..... 0,101  
Единица измерения ..... м  
Норма поставки, м ..... 125

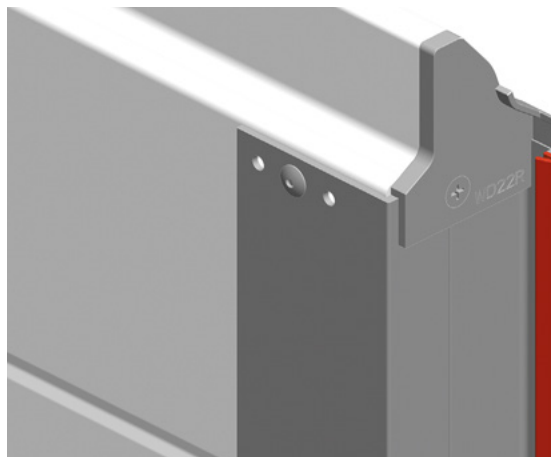
Артикул	Код
RSB11	401510900



\* Указанные цвета имеют близкое соответствие шкале RAL.

## ОБРАМЛЕНИЕ ПРОЕМА

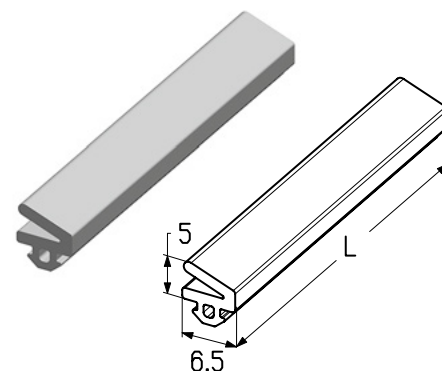
### УСТАНОВКА ВСТАВКИ УПЛОТНИТЕЛЬНОЙ



#### Вставка уплотнительная

Предназначена для герметизации проема калитки.  
Устанавливается в обрамление проема и обрамление калитки.  
Используется в калитке с плоским, стандартным и низким порогом.

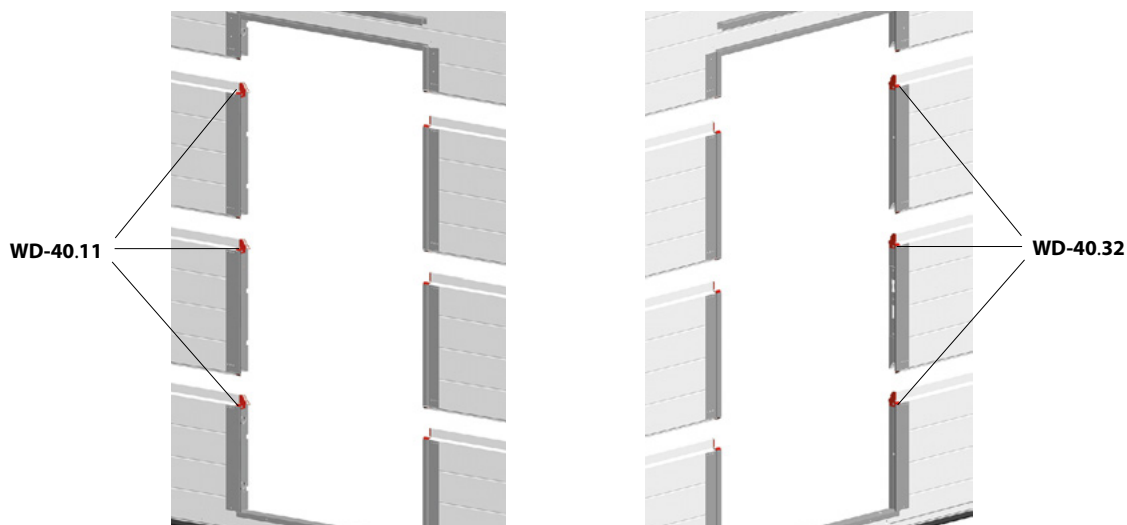
Материал .....	EPDM
Вес, кг/м .....	0,04
Единица измерения .....	м
Норма поставки, м .....	475



Артикул	Код
RSW06	401560100

## ОБРАМЛЕНИЕ ПРОЕМА

### УСТАНОВКА ЗАГЛУШКИ

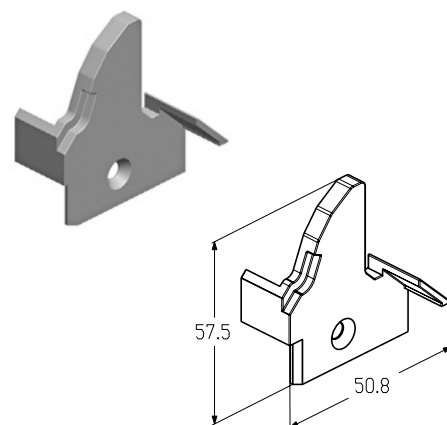


#### Заглушка

Устанавливается совместно с обрамлением проема в нижней и промежуточных панелях.  
Используется в калитке с плоским, стандартным и низким порогом.

Материал ..... PA  
Вес, кг/шт. .... 0,008  
Единица измерения ..... шт.  
Норма поставки, шт. .... 600

Артикул	Код	Цвет	Применение
WD-40.32R-GR	401715500	Серый	Для ворот с правой калиткой
WD-40.32R-BR	401715600	Коричневый	
WD-40.32L-GR	401715700	Серый	Для ворот с левой калиткой
WD-40.32L-BR	401715800	Коричневый	

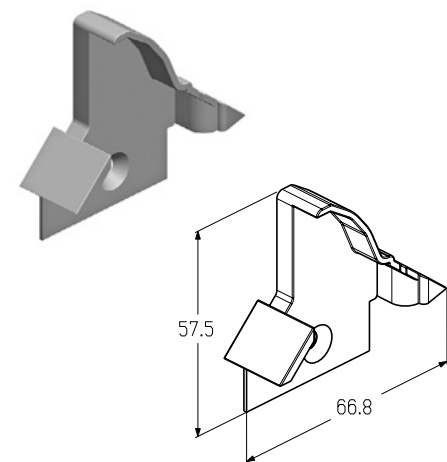


#### Заглушка

Устанавливается совместно с петлей проема в нижней и промежуточных панелях.  
Используется в калитке с плоским, стандартным и низким порогом.

Материал ..... PA  
Вес, кг/шт. .... 0,01  
Единица измерения ..... шт.  
Норма поставки, шт. .... 400

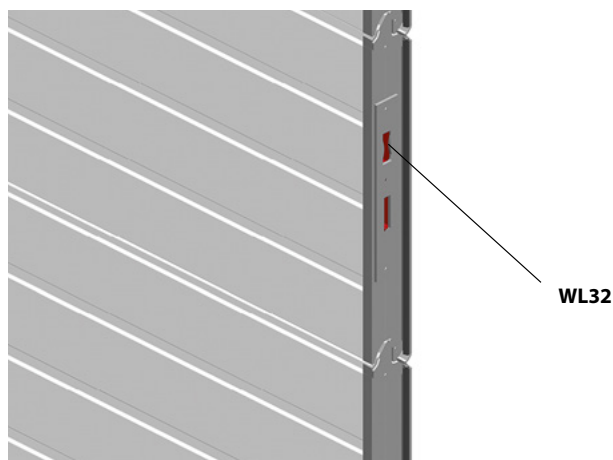
Артикул	Код	Цвет	Применение
WD-40.11R-GR	401714300	Серый	Для ворот с правой калиткой
WD-40.11R-BR	401714400	Коричневый	
WD-40.11L-GR	401714500	Серый	Для ворот с левой калиткой
WD-40.11L-BR	401714600	Коричневый	





## ОБРАМЛЕНИЕ ПРОЕМА

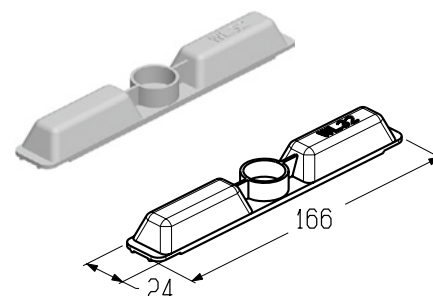
### УСТАНОВКА ЗАГЛУШКИ



#### Заглушка

Предназначена для установки совместно с обрамлением проема третьей или второй панели. Используется в калитке с плоским, стандартным и низким порогом.

Материал ..... PA  
 Цвет ..... черный  
 Вес, кг/шт. .... 0,017  
 Единица измерения ..... шт.  
 Норма поставки, шт. .... 300

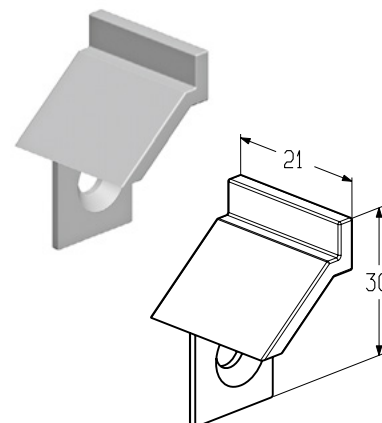


Артикул	Код
WL32	404410800

#### Заглушка нижняя

Устанавливается совместно с обрамлением и петель проема в верхней и промежуточных панелях. Используется в калитке с плоским, стандартным и низким порогом.

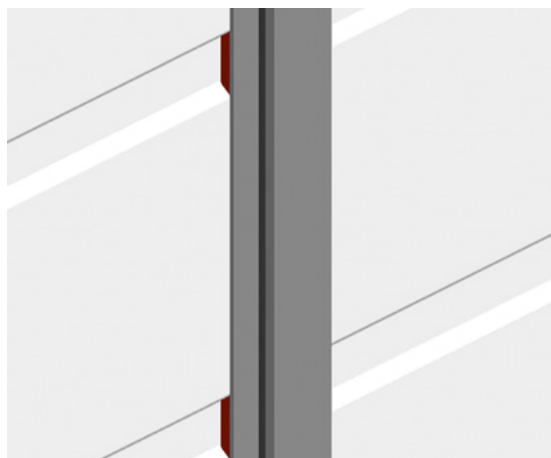
Материал ..... PA  
 Вес, кг/шт. .... 0,002  
 Единица измерения ..... шт.  
 Норма поставки, шт. .... 3600



Артикул	Код	Цвет
WD-40.01R-GR	401713900	Серый
WD-40.01R-BR	401714000	Коричневый
WD-40.01L-GR	401714100	Серый
WD-40.01L-BR	401714200	Коричневый

## ОБРАМЛЕНИЕ ПРОЕМА

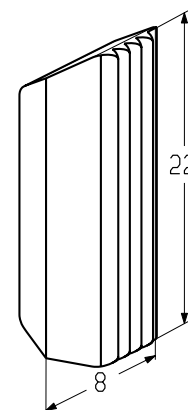
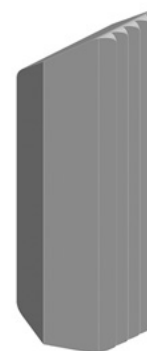
### УСТАНОВКА ЗАГЛУШКИ КАЛИТОЧНОЙ



#### Заглушка калиточная

Предназначена для установки совместно с обрамлением проема и обрамлением калитки.  
Устанавливается под обрамление в каждый зиг панелей с рисунком S-гофр.  
Используется в калитке с плоским, стандартным и низким порогом.

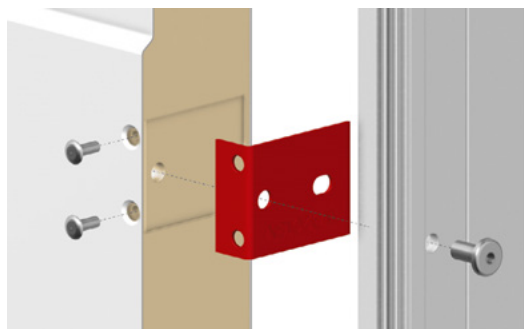
Материал ..... полиуретан  
Вес, кг/шт. .... 0,001  
Единица измерения ..... шт.  
Норма поставки, шт. .... 18000



Артикул	Код
WD2028	401713100

## ОБРАМЛЕНИЕ ПРОЕМА

## УСТАНОВКА СКОБЫ И КРОНШТЕЙНА



Скоба WD2013N



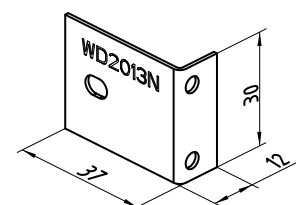
Кронштейн WD2014

## Скоба

Предназначена для усиления петли проема и петли калитки по всей высоте встроенной калитки. Используется в калитке с плоским, стандартным и низким порогом.

Материал .....	Оцинкованная сталь
Вес, кг/шт. ....	0,010
Единица измерения .....	шт.
Норма поставки, шт. ....	1000

Артикул	Код
WD2013N	418700046

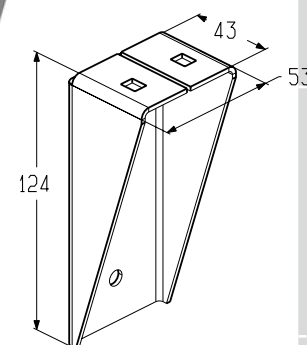
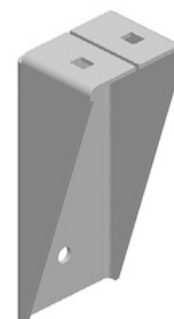


## Кронштейн

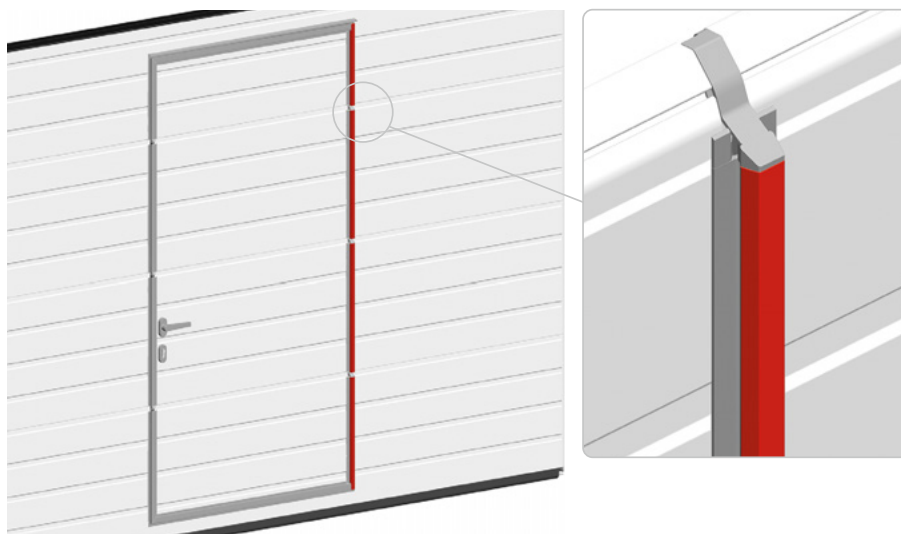
Предназначен для усиления верхней калиточной панели. Устанавливается совместно с профилем усиливающим (PRG-16, PRG-17). Используется в калитке с плоским, стандартным и низким порогом.

Материал .....	Оцинкованная сталь
Покрытие .....	полимерное
Цвет .....	бело-серый (близкий RAL 9002)
Вес, кг/шт. ....	0,21
Единица измерения .....	шт.
Норма поставки, шт. ....	40

Артикул	Код
WD2014	401750200



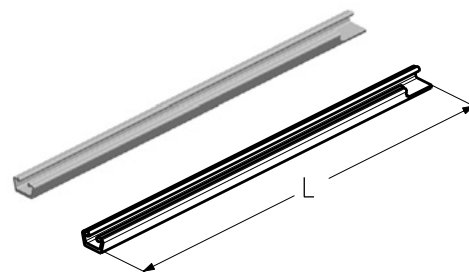
## ПЕТЛЯ КАЛИТКИ



### Элемент верхней петли

Предназначен для соединения петли калитки и петли проема в верхней панели.  
Используется в калитке с плоским, стандартным и низким порогом.

Материал ..... алюминий  
Единица измерения ..... шт.  
Норма поставки, шт. .... 10

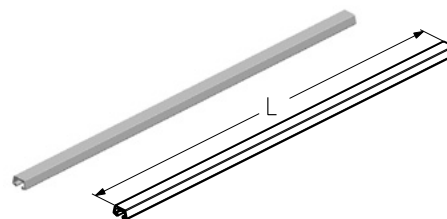


Артикул	Код	Покрытие	Цвет	Длина (L), мм	Вес, кг/шт.	Применение
WD-40.403R.001	404211391	Анодированное	A00-D6 (серебро)	183	0,038	Для ворот с правой калиткой
	404212533	Порошковое	RAL 8019*			
WD-40.404R.001	404211591	Анодированное	A00-D6 (серебро)	308	0,066	
	404212733	Порошковое	RAL 8019*			
WD-40.403L.001	404211291	Анодированное	A00-D6 (серебро)	183	0,038	Для ворот с левой калиткой
	404212433	Порошковое	RAL 8019*			
WD-40.404L.001	404211491	Анодированное	A00-D6 (серебро)	308	0,066	
	404212633	Порошковое	RAL 8019*			

### Элемент средней петли

Предназначен для соединения петли калитки и петли проема в промежуточных панелях.  
Используется в калитке с плоским, стандартным и низким порогом.

Материал ..... алюминий  
Единица измерения ..... шт.  
Норма поставки, шт. .... 10



Артикул	Код	Покрытие	Цвет	Длина (L), мм	Вес, кг/шт.	Применение
WD-40.250R.001	404124091	Анодированное	A00-D6 (серебро)	481	0,111	Для ворот с правой и левой калитки
	404124633	Порошковое	RAL 8019*			
WD-40.260R.001	404124191	Анодированное	A00-D6 (серебро)	606	0,131	
	404124733	Порошковое	RAL 8019*			

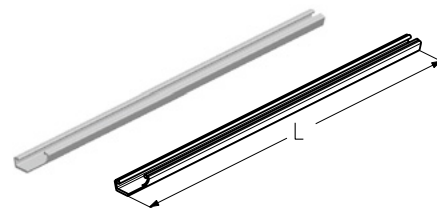
\* Указанные цвета имеют близкое соответствие шкале RAL.

## ПЕТЛЯ КАЛИТКИ

## Элемент нижней петли

Предназначен для соединения петли калитки и петли проема в нижней панели.  
Используется в калитке со стандартным порогом.

Материал ..... алюминий  
Единица измерения ..... шт.  
Норма поставки, шт. .... 10



Артикул	Код	Покрытие	Цвет	Длина (L), мм	Вес, кг/шт.	Применение
WD-40.152R.001	404236491	Анодированное	A00-D6 (серебро)	377	0,085	Для ворот с правой калиткой
	404236433	Порошковое	RAL 8019*			
WD-40.162R.001	404237091	Анодированное	A00-D6 (серебро)	502	0,114	
	404237033	Порошковое	RAL 8019*			
WD-40.152L.001	404236391	Анодированное	A00-D6 (серебро)	377	0,085	Для ворот с левой калиткой
	404236333	Порошковое	RAL 8019*			
WD-40.162L.001	404236991	Анодированное	A00-D6 (серебро)	502	0,114	
	404236933	Порошковое	RAL 8019*			

## Элемент нижней петли

Предназначен для соединения петли калитки и петли проема в нижней панели.  
Используется в калитке с низким порогом.

Материал ..... алюминий  
Единица измерения ..... шт.  
Норма поставки, шт. .... 10

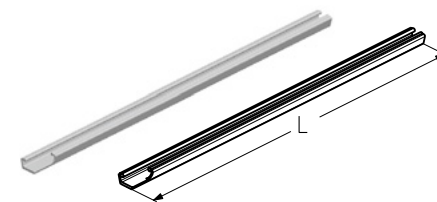


Артикул	Код	Покрытие	Цвет	Длина (L), мм	Вес, кг/шт.	Применение
WD-40.151R.001	404236291	Анодированное	A00-D6 (серебро)	422	0,095	Для ворот с правой калиткой
	404236233	Порошковое	RAL 8019*			
WD-40.161R.001	404236891	Анодированное	A00-D6 (серебро)	547	0,124	
	404236833	Порошковое	RAL 8019*			
WD-40.151L.001	404236191	Анодированное	A00-D6 (серебро)	422	0,095	Для ворот с левой калиткой
	404236133	Порошковое	RAL 8019*			
WD-40.161L.001	404236791	Анодированное	A00-D6 (серебро)	547	0,124	
	404236733	Порошковое	RAL 8019*			

## Элемент нижней петли

Предназначен для соединения петли калитки и петли проема в нижней панели.  
Используется в калитке с плоским порогом.

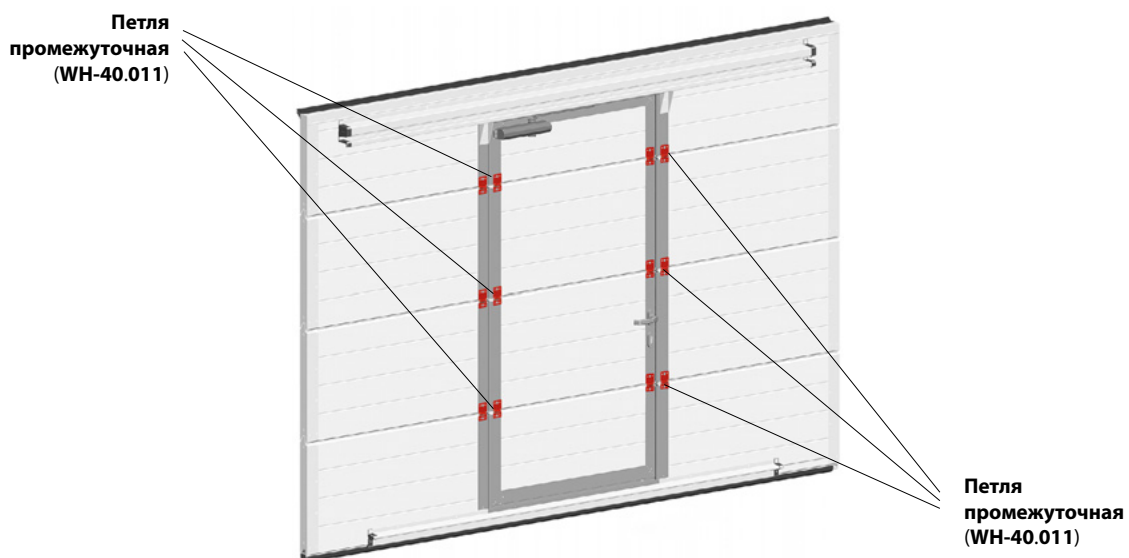
Материал ..... алюминий  
Единица измерения ..... шт.  
Норма поставки, шт. .... 10



Артикул	Код	Покрытие	Цвет	Длина (L), мм	Вес, кг/шт.	Применение
WD-40.153R.001	404236691	Анодированное	A00-D6 (серебро)	493	0,11	Для ворот с правой калиткой
	404236633	Порошковое	RAL 8019*			
WD-40.163R.001	404237291	Анодированное	A00-D6 (серебро)	618	0,14	
	404237233	Порошковое	RAL 8019*			
WD-40.153L.001	404236591	Анодированное	A00-D6 (серебро)	493	0,11	Для ворот с левой калиткой
	404236533	Порошковое	RAL 8019*			
WD-40.163L.001	404237191	Анодированное	A00-D6 (серебро)	618	0,14	
	404237133	Порошковое	RAL 8019*			

\* Указанные цвета имеют близкое соответствие шкале RAL.

## ПЕТЛЯ ПРОМЕЖУТОЧНАЯ

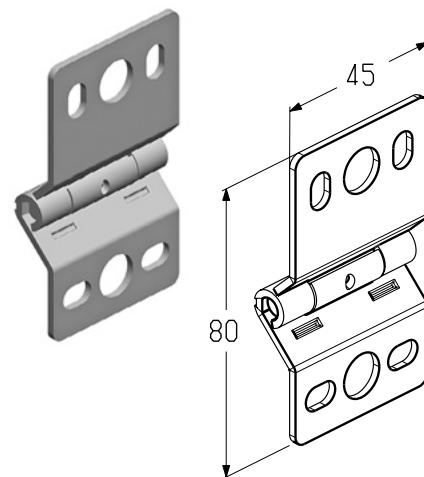


### Петля промежуточная

Предназначена для соединения калиточных панелей.  
Используется в калитке с плоским, стандартным и низким порогом.

Материал ..... оцинкованная сталь  
Вес, кг/шт. .... 0,072  
Единица измерения ..... шт.  
Норма поставки, шт. .... 300

Артикул	Код
WN-40.011	404240400



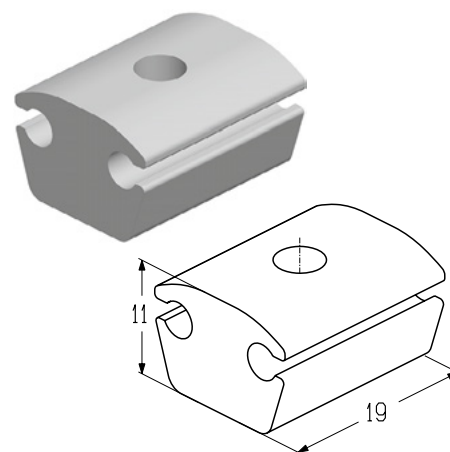
## СУХАРЬ



### Сухарь

Предназначен для предотвращения взаимного перемещения петли проема относительно петли калитки. Используется в калитке с плоским, стандартным и низким порогом.

Материал ..... пластмасса  
 Вес, кг/шт. .... 0,003  
 Единица измерения ..... шт.  
 Норма поставки, шт. .... 100



Артикул	Код
WD100	401720100

1.1

1.2

1.3

1.4

1.5

2

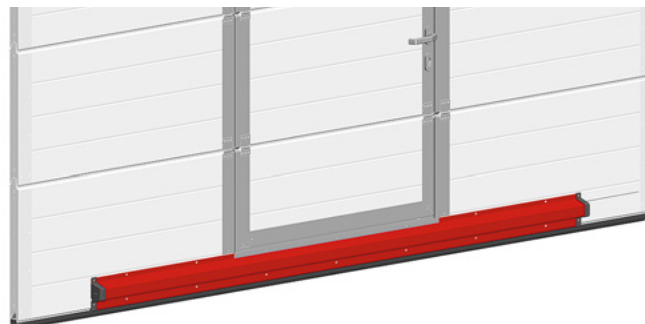
3

4

## ПРОФИЛЬ УСИЛИВАЮЩИЙ НИЖНИЙ



**Профиль усиливающий  
PRG-12**

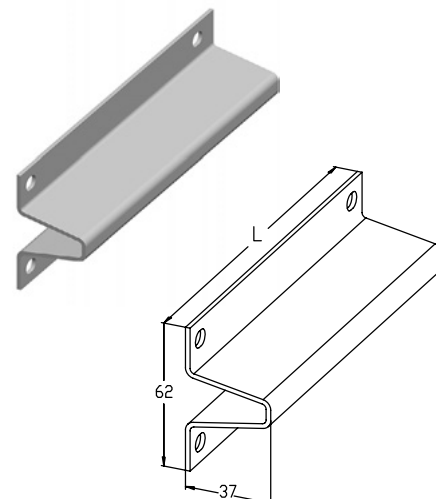


**Профиль усиливающий  
PRG-13**

### Профиль усиливающий

Предназначен для усиления нижней калиточной секции.  
Используется в калитке с низким порогом.

Материал ..... оцинкованная сталь  
Покрытие ..... полимерное  
Цвет ..... бело-серый (близкий RAL 9002)  
Вес, кг/м ..... 2,175  
Единица измерения ..... м

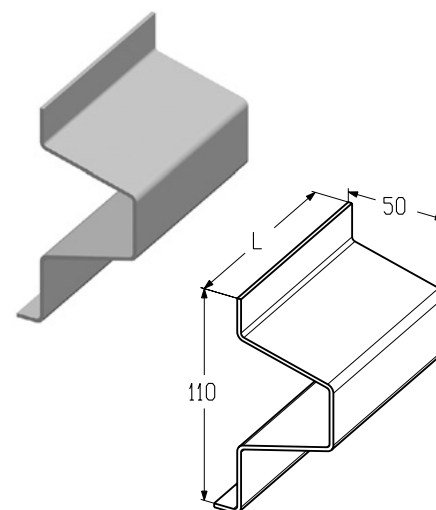


Артикул	Код	Длина (L), мм	Норма поставки	
			м	шт.
PRG-12	401411110	5940	320,76	54
		6270	338,58	

### Профиль усиливающий

Предназначен для усиления нижней калиточной секции.  
Используется в калитке со стандартным порогом.

Материал ..... оцинкованная сталь  
Покрытие ..... полимерное  
Цвет ..... бело-серый (близкий RAL 9002)  
Вес, кг/м ..... 3,04  
Единица измерения ..... м



Артикул	Код	Длина (L), мм	Норма поставки	
			м	шт.
PRG-13	401411210	4620	92,40	20
		4950	99,00	
		6600	132,00	



## ЗАГЛУШКА НИЖНЯЯ

**Заглушка WD12P**



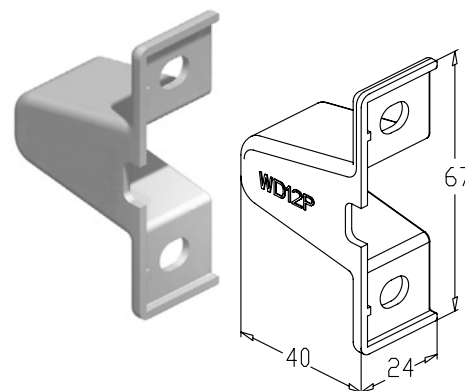
**Заглушка WD13PR/L**



### Заглушка

Устанавливается совместно с профилем усиливающим (**PRG-12**).  
Используется в калитке с низким порогом.

Материал .....	PA
Вес, кг/шт. ....	0,008
Единица измерения .....	шт.
Норма поставки, шт. ....	650

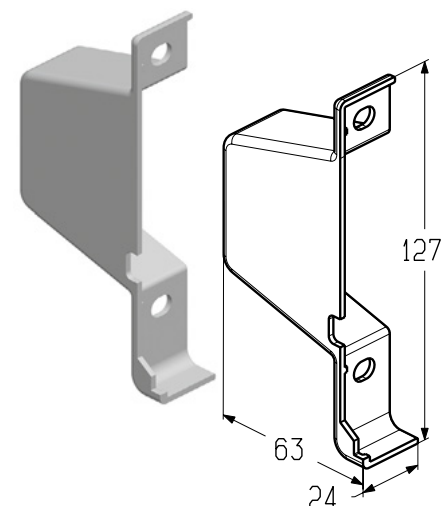


Артикул	Код	Применение
WD12P	401716100	Универсальная

### Заглушка

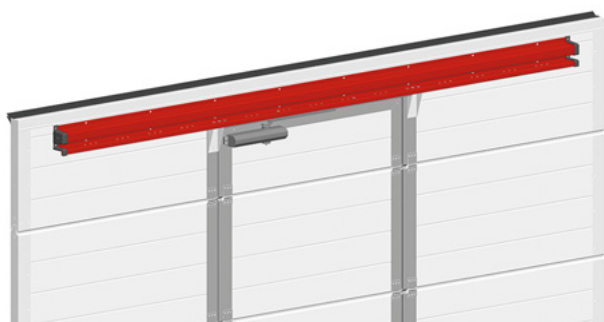
Устанавливается совместно с профилем усиливающим (**PRG-13**).  
Используется в калитке со стандартным порогом.

Материал .....	PA
Вес, кг/шт. ....	0,016
Единица измерения .....	шт.
Норма поставки, шт. ....	400

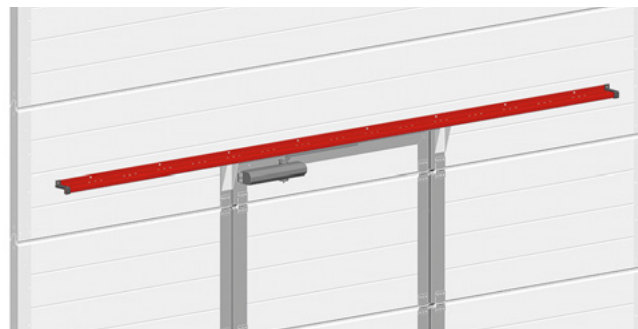


Артикул	Код	Применение
WD13PR	401712300	Правая
WD13PL	401712400	Левая

## ПРОФИЛЬ УСИЛИВАЮЩИЙ ВЕРХНИЙ



**Профиль усиливающий  
PRG-16**



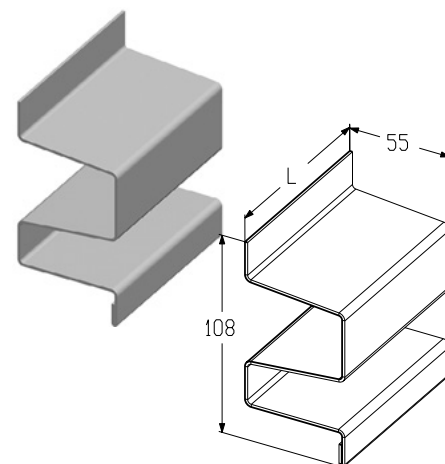
**Профиль усиливающий  
PRG-17**

### Профиль усиливающий

Предназначен для усиления верхней калиточной секции. Используется при врезке калитки в последнюю воротную панель.  
Используется в калитке с плоским, стандартным и низким порогом.

Материал ..... оцинкованная сталь  
Покрытие ..... полимерное  
Цвет ..... бело-серый (близкий RAL 9002)  
Вес, кг/м ..... 3,20  
Единица измерения ..... м

Артикул	Код	Длина (L), мм	Норма поставки	
			м	шт.
PRG-16	401411510	5280	158,4	30
		6600	198,0	

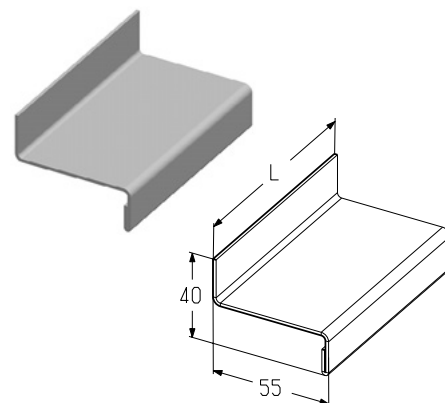


### Профиль усиливающий

Предназначен для усиления верхней калиточной секции. Используется при врезке калитки в ворота, в ворота, в которых верхняя калиточная секция не является верхней секцией полотна ворот.  
Используется в калитке с плоским, стандартным и низким порогом.

Материал ..... оцинкованная сталь  
Покрытие ..... полимерное  
Цвет ..... бело-серый (близкий RAL 9002)  
Вес, кг/м ..... 1,20  
Единица измерения ..... м

Артикул	Код	Длина (L), мм	Норма поставки	
			м	шт.
PRG-17	401411610	5280	633,6	120
		6600	792,0	



## ЗАГЛУШКА ВЕРХНЯЯ

Заглушка WD16PR/L

Заглушка WD17PR/L

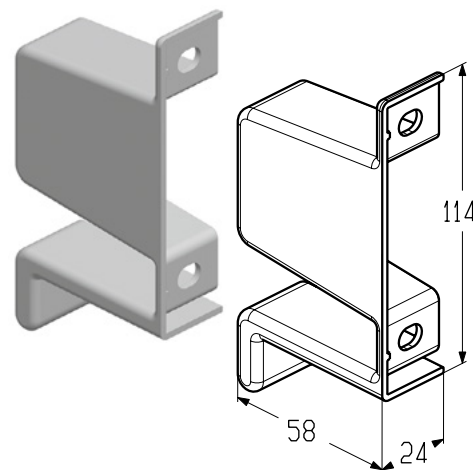


### Заглушка

Устанавливается совместно с профилем усиливающим (**PRG-16**).  
Используется в калитке с плоским, стандартным и низким порогом.

Материал .....	PA
Вес, кг/шт. ....	0,024
Единица измерения .....	шт.
Норма поставки, шт. ....	200

Артикул	Код	Применение
WD16PR	401712500	Правая
WD16PL	401712600	Левая

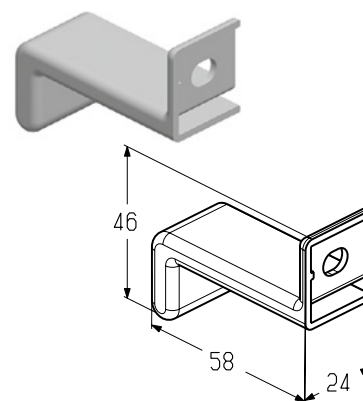


### Заглушка

Устанавливается совместно с профилем усиливающим (**PRG-17**).  
Используется в калитке с плоским, стандартным и низким порогом.

Материал .....	PA
Вес, кг/шт. ....	0,01
Единица измерения .....	шт.
Норма поставки, шт. ....	500

Артикул	Код	Применение
WD17PR	401712700	Правая
WD17PL	401712800	Левая



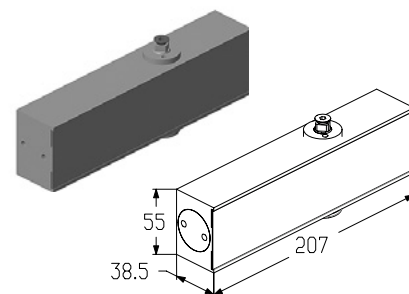
## АКСЕССУАРЫ ДЛЯ ВСТРОЕННОЙ КАЛИТКИ

### Доводчик дверной

Предназначен для автоматического закрывания калитки.  
Используется совместно с тягой доводчика (**DP2020**).  
Используется в калитке с плоским, низким и стандартным порогом.

Вес, кг/шт. .... 1,97  
Единица измерения ..... шт.  
Норма поставки, шт. .... 10

Артикул	Код
DP2022	418700290

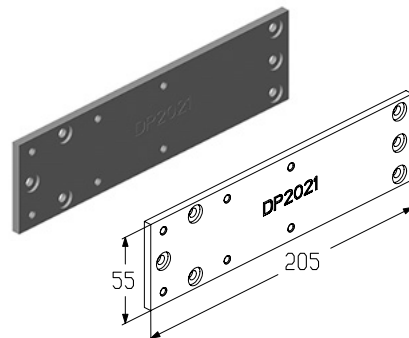


### Пластина соединительная

Используется совместно с тягой доводчика (**DP2020**) и доводчиком (**DP2022**).  
Используется в калитке с плоским, низким и стандартным порогом.

Вес, кг/шт. .... 0,43  
Единица измерения ..... шт.  
Норма поставки, шт. .... 10

Артикул	Код	Цвет
DP2021	405000045	RAL 9006*

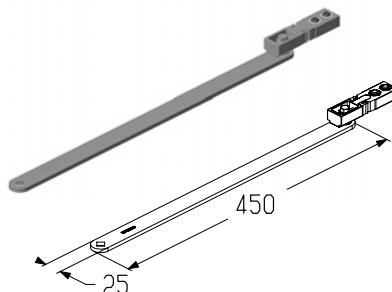


### Тяга доводчика

Используется совместно с доводчиком (**DP2022**).  
Используется в калитке с плоским, низким и стандартным порогом.

Вес, кг/шт. .... 0,43  
Единица измерения ..... шт.  
Норма поставки, шт. .... 10

Артикул	Код	Цвет
DP2020	418700282	RAL 9006*



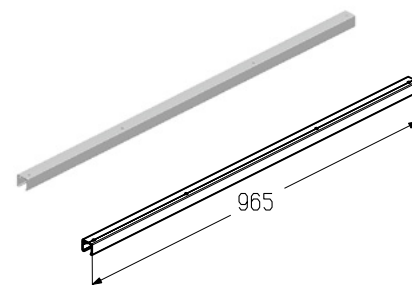
\* Указанные цвета имеют близкое соответствие шкале RAL.

## АКСЕССУАРЫ ДЛЯ ВСТРОЕННОЙ КАЛИТКИ

## Шина доводчика

Предназначена для движения тяги доводчика (**DP2020**).  
Устанавливается совместно с профилем усиливающим (**PRG-16, PRG-17**).  
Используется в калитке с плоским, стандартным и низким порогом.

Длина, мм	965
Материал	алюминий
Вес, кг/шт.	0,52
Единица измерения	шт.
Норма поставки, шт.	10



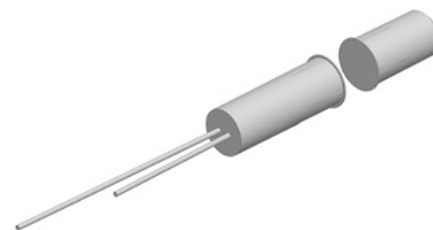
Артикул	Код	Цвет
WD403R.108	404470191	A00-D6 (анодирование)
	404470133	RAL 8019*

## Контакт калитки

Предназначен для отключения электропривода при открытой калитке.  
Используется в калитке с плоским, стандартным и низким порогом.

Вес, кг/шт.	0,003
Единица измерения	шт.
Норма поставки, шт.	10

Артикул	Код
SS0206	404403000



## Кабель

Предназначен для подключения контакта калитки (**SS0206**) к блоку управления.  
Используется в калитке с плоским, стандартным и низким порогом.

Вес, кг/м	0,03
Единица измерения	м
Норма поставки, м	250

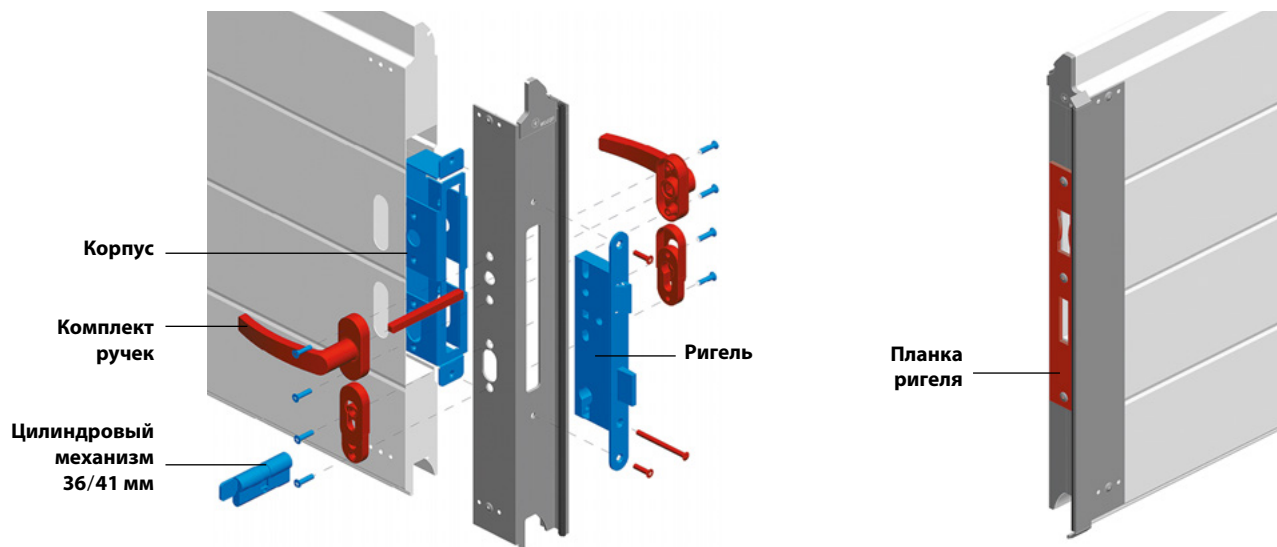
Артикул	Код
ШВВП 2x0,5	4009613



\* Указанные цвета имеют близкое соответствие шкале RAL.

## АКСЕССУАРЫ ДЛЯ ВСТРОЕННОЙ КАЛИТКИ

### УСТАНОВКА ЗАМКА КАЛИТКИ

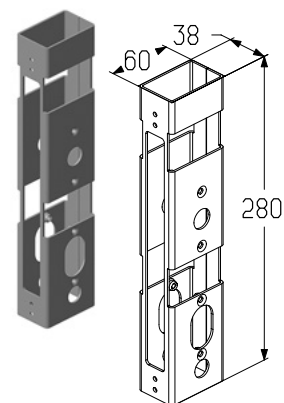


#### Корпус замка анти-паник В

Предназначен для установки ригеля (**WL0202-PC** или **PED-2041-PC**). Входит в состав устройства экстренного открывания дверей функция **В (PED21-40)** при ее наличии в воротах. Используется в калитке с плоским, стандартным и низким порогом.

Материал ..... оцинкованная сталь  
 Вес, кг/шт. .... 0,562  
 Единица измерения ..... шт.  
 Норма поставки, шт. .... 1

Артикул	Код
PED-2503	418700190

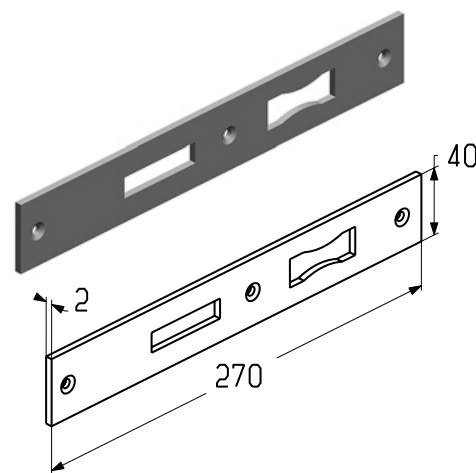


#### Планка ригеля

Предназначена для установки на обрамление проема среднее (**WD-40.250R.302KFV**, **WD-40.250L.302KFV**, **WD-40.260R.302KFV**, **WD-40.260L.302KFV**). Используется в калитке с плоским, стандартным и низким порогом.

Материал ..... нержавеющая сталь  
 Вес, кг/шт. .... 0,13  
 Единица измерения ..... шт.  
 Норма поставки, шт. .... 10

Артикул	Код
WD0210	418700200



## АКСЕССУАРЫ ДЛЯ ВСТРОЕННОЙ КАЛИТКИ

## Комплект ручек

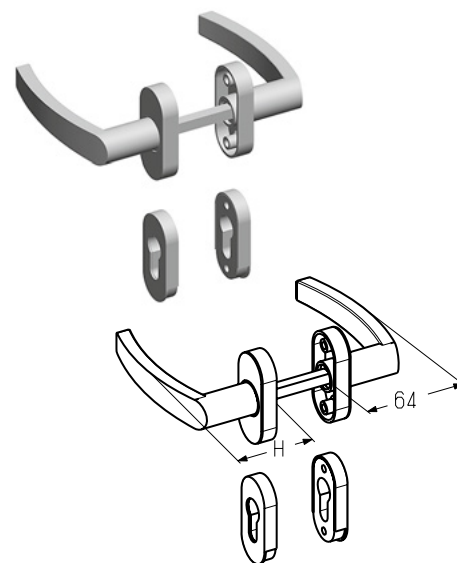
Предназначен для установки в калитке с плоским, стандартным и низким порогом.

Материал ..... цинковый сплав  
 Вес, кг/шт. .... 0,9  
 Единица измерения ..... шт.  
 Норма поставки, шт. .... 10

Используется:

- для гаражных ворот стандартного типа монтажа;
- для промышленных ворот всех типов монтажа, кроме высоких, вертикальных и наклонных высоких типов монтажа.

Артикул	Код	Покрытие	Цвет	Вылет наружной ручки от полотна ворот (H), мм	Примечание
WL2021-SL	404410191	Анодированное	A00-D6 (анодирование)	64	Евроцилиндр
WL2021-BR	404410133	Порошковое	RAL 8019*	64	
WL2021-BK	404410130	Порошковое	RAL 9005*	64	



Используется:

- для гаражных ворот низкого и высокого типов монтажа;
- для промышленных ворот высоких, вертикальных и высоких наклонных типов монтажа с верхним и нижним расположением вала.

Артикул	Код	Покрытие	Цвет	Вылет наружной ручки от полотна ворот (H), мм	Примечание
WL2022-SL	404410291	Анодированное	A00-D6 (серебро)	24	Евроцилиндр
WL2022-BR	404410233	Порошковое	RAL 8019*	24	
WL2022-BK	404410230	Порошковое	RAL 9005*	24	

\* Указанные цвета имеют близкое соответствие шкале RAL.

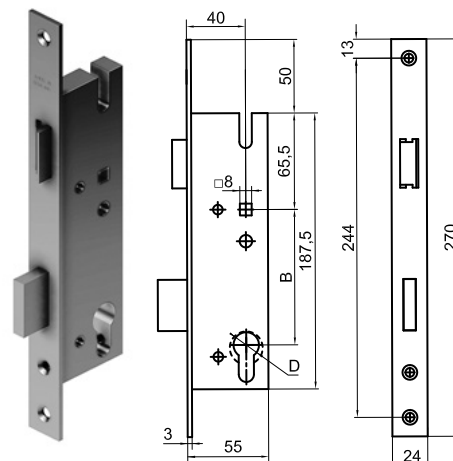
## АКСЕССУАРЫ ДЛЯ ВСТРОЕННОЙ КАЛИТКИ

### Ригель

Предназначен для установки совместно с корпусом вкладным (**PED-2503**).  
Используется в калитке с плоским, стандартным и низким порогом.

Вес, кг/шт. .... 0,66  
Единица измерения ..... шт.  
Норма поставки, шт. .... 10

Артикул	Код	Диаметр D, мм	Расстояние B, мм	Примечание
WL0202-PC	415700110	17,3	92	Евроцилиндр

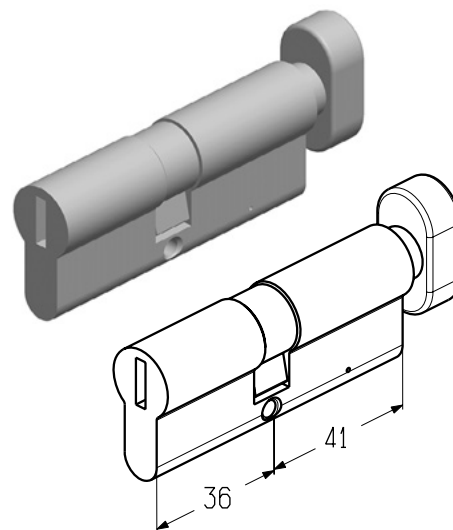


### Цилиндровый механизм 36/41 мм

Предназначен для установки совместно с ригелем (**WL0202-PC**).  
Используется в калитке с плоским, стандартным и низким порогом.

Вес, кг/шт. .... 0,294  
Единица измерения ..... шт.  
Норма поставки, шт. .... 10

Артикул	Код
C-36/41M	404410700

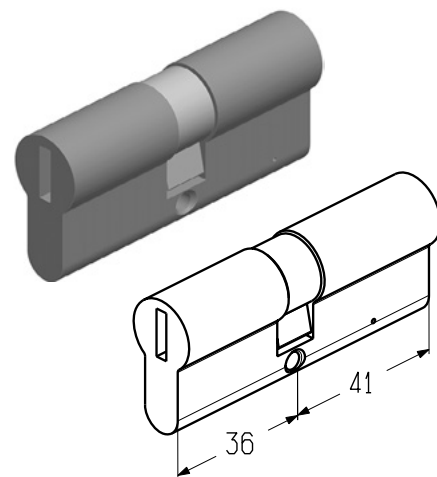


### Цилиндровый механизм 36/41 мм

Предназначен для установки совместно с ригелем (**WL0202-PC**).  
Используется в калитке с плоским, стандартным и низким порогом.

Вес, кг/шт. .... 0,264  
Единица измерения ..... шт.  
Норма поставки, шт. .... 10

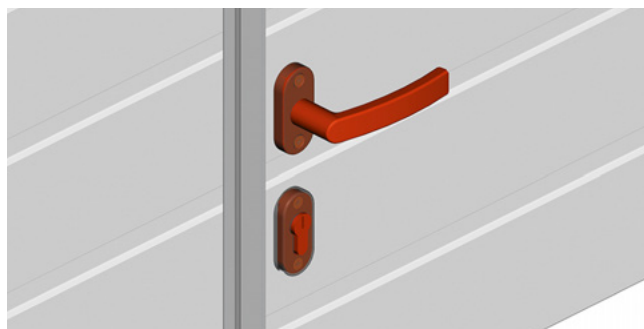
Артикул	Код
C-36/41	404410500



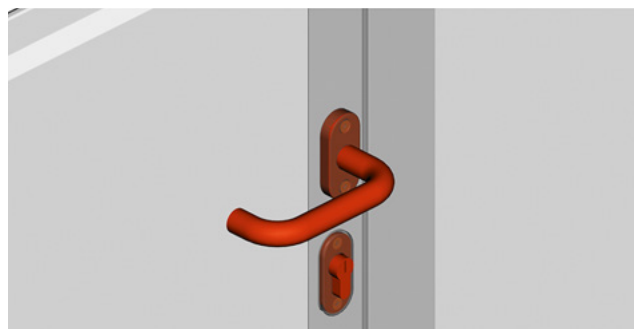


## АКСЕССУАРЫ ДЛЯ ВСТРОЕННОЙ КАЛИТКИ

### УСТАНОВКА УСТРОЙСТВА ЭКСТРЕННОГО ОТКРЫВАНИЯ ДВЕРЕЙ С ФУНКЦИЕЙ В



Вид снаружи



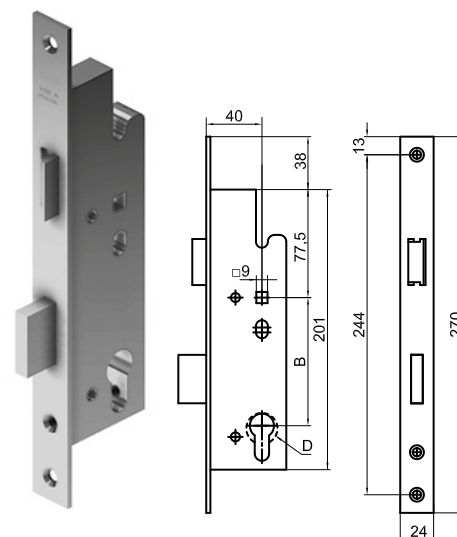
Вид изнутри

#### Ригель замка анти-паник В

Используется в калитке с плоским, стандартным и низким порогом.  
Входит в состав устройства экстренного открывания дверей функция В (PED21-40).

Вес, кг/шт. .... 0,562  
Единица измерения ..... шт.  
Норма поставки, шт. .... 1

Артикул	Код	Диаметр D, мм	Расстояние В, мм	Примечание
PED-2041-PC	418700138	17,3	92	Евроцилиндр

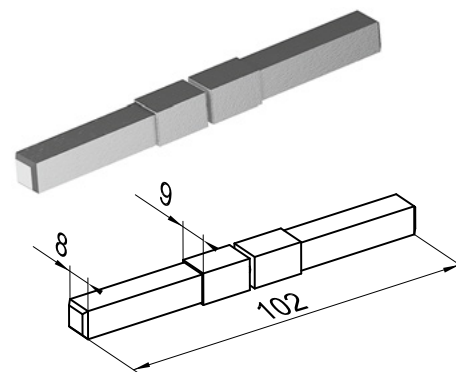


#### Квадрат раздельный анти-паник В

Используется в калитке с плоским, стандартным и низким порогом.  
Входит в состав устройства экстренного открывания дверей функция В (PED21-40).

Материал ..... оцинкованная сталь  
Вес, кг/шт. .... 0,6  
Единица измерения ..... шт.  
Норма поставки, шт. .... 10

Артикул	Код
PED-2042	401700500



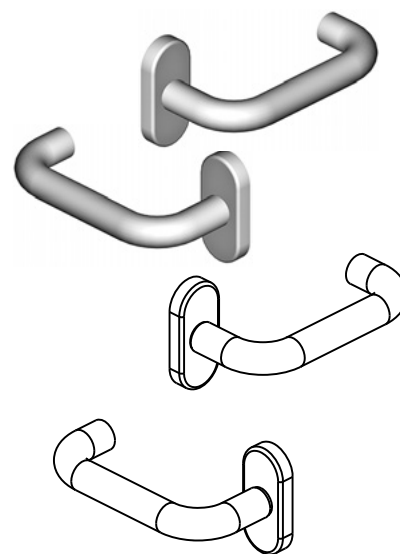
## АКСЕССУАРЫ ДЛЯ ВСТРОЕННОЙ КАЛИТКИ

### Комплект ручек анти-паник В

Используется в калитке с плоским, стандартным и низким порогом.  
Входит в состав устройства экстренного открывания дверей функция В (PED21-40).

Материал ..... нержавеющая сталь  
Вес, кг/шт. .... 0,275  
Единица измерения ..... шт.  
Норма поставки, шт. .... 10

Артикул	Код	Применение	Примечание
PED-2040R	401700700	Правый	Евроцилиндр
PED-2040L	401700800	Левый	



## АКСЕССУАРЫ ДЛЯ ВСТРОЕННОЙ КАЛИТКИ

### УСТАНОВКА УСТРОЙСТВА ЭКСТРЕННОГО ОТКРЫВАНИЯ ДВЕРЕЙ С ФУНКЦИЕЙ E



Вид снаружи



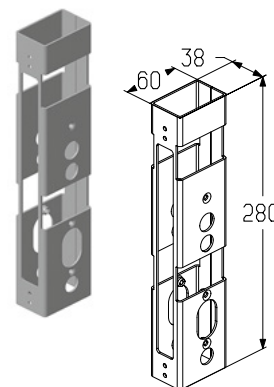
Вид изнутри

#### Корпус замка анти-паник E

Предназначен для установки ригеля (**PED-2044-PC**).  
Входит в состав устройства экстренного открывания дверей функция **E (PED22-40)**.  
Используется в калитке с плоским, стандартным и низким порогом.

Материал ..... оцинкованная сталь  
Вес, кг/шт. .... 0,554  
Единица измерения ..... шт.  
Норма поставки, шт. .... 1

Артикул	Код
PED-2504	418700191

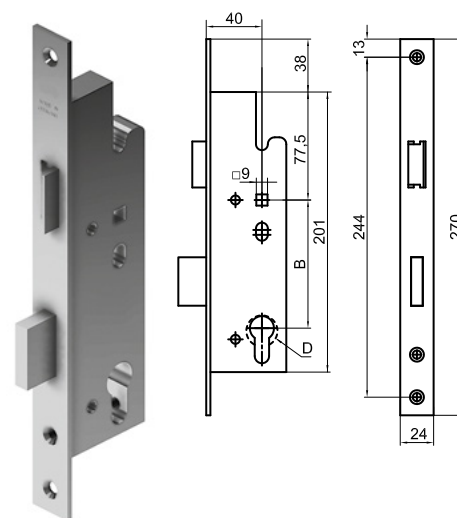


#### Ригель замка анти-паник E

Используется в калитке с плоским, стандартным и низким порогом.  
Входит в состав устройства экстренного открывания дверей функция **E (PED22-40)**.

Вес, кг/шт. .... 0,765  
Единица измерения ..... шт.  
Норма поставки, шт. .... 10

Артикул	Код	Диаметр D, мм	Расстояние E, мм	Примечание
PED-2044-PC	418700136	17,3	92	Евроцилиндр

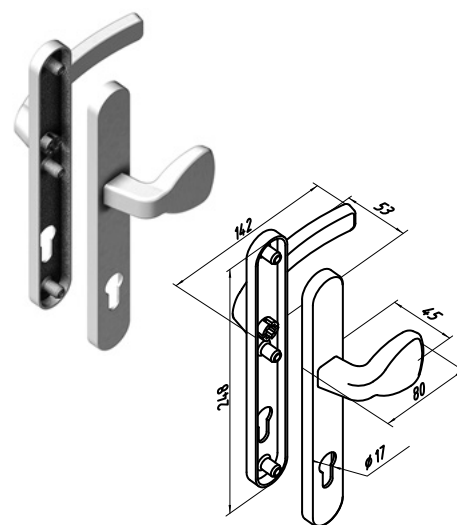


### Комплект ручек анти-паник E

Используется в калитке с плоским, стандартным и низким порогом.  
Входит в состав устройства экстренного открывания дверей функция E (PED22-40).

Материал ..... цинковый сплав  
Вес, кг/шт. .... 1,04  
Единица измерения ..... шт.  
Норма поставки, шт. .... 10

Артикул	Код	Применение	Примечание
FLGU.400.1008	417200095	Левый	Евроцилиндр
FLGU.400.1009	417200195	Правый	

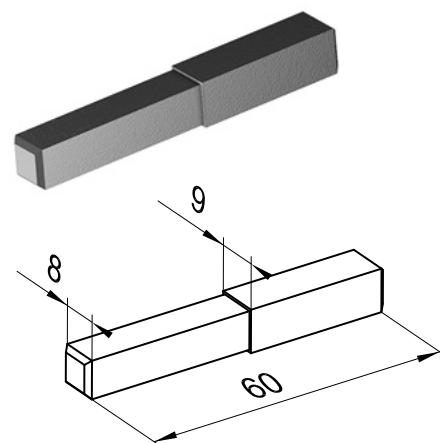


### Квадрат отдельный анти-паник E

Используется в калитке с плоским, стандартным и низким порогом.  
Входит в состав устройства экстренного открывания дверей функция E (PED22-40).

Материал ..... оцинкованная сталь  
Вес, кг/шт. .... 0,04  
Единица измерения ..... шт.  
Норма поставки, шт. .... 1

Артикул	Код
PED-2045	401701200



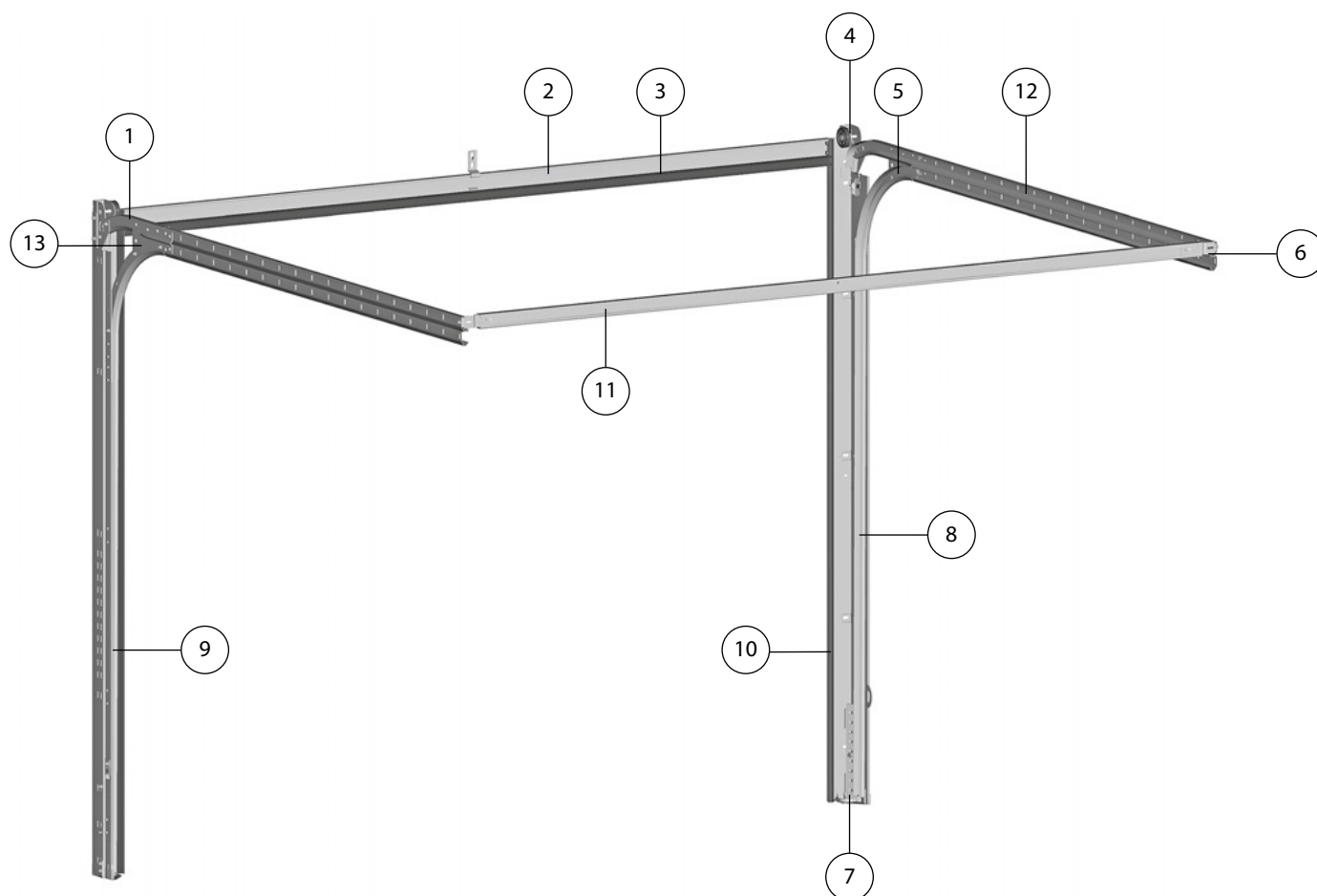
# 1.4

Системы направляющих  
и подвеса

---



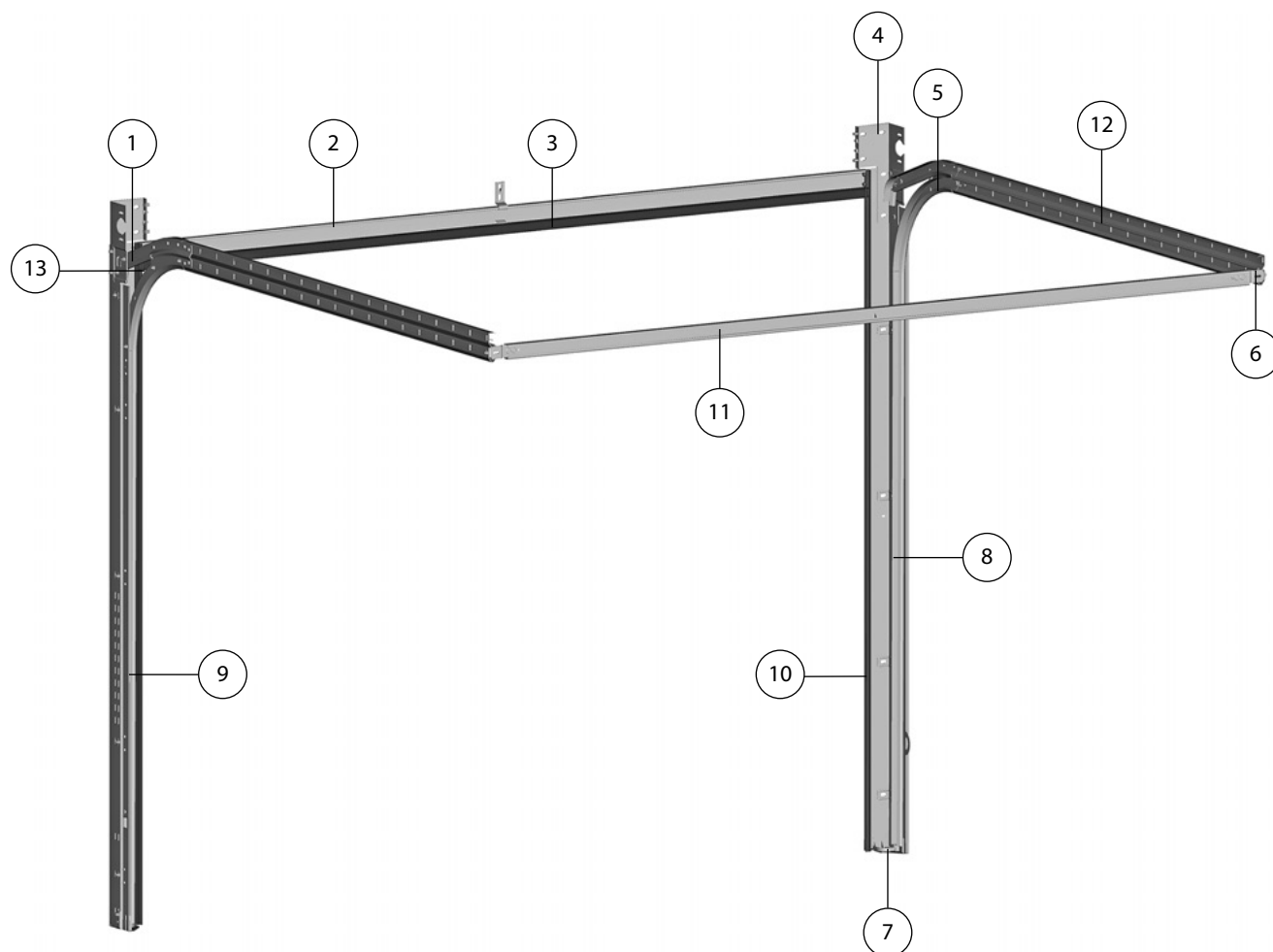
## ТИПОВАЯ КОНСТРУКЦИЯ СИСТЕМЫ НАПРАВЛЯЮЩИХ И ПОДВЕСА ГАРАЖНЫХ ВОРОТ СЕРИИ TREND С ПРУЖИНАМИ РАСТЯЖЕНИЯ



№	Наименование	№	Наименование
1	Узел направляющий передний	8	Профиль направляющий (вертикальный)
2	Профиль передний (нащельник)	9	Профиль угловой
3	Вставка уплотнительная (верхняя)	10	Вставка уплотнительная (боковая)
4	Кронштейн	11	C-профиль (мерная планка)
5	Элемент радиусный	12	Профиль направляющий (горизонтальный)
6	Кронштейн мерной планки	13	Пластина соединительная
7	Ограничитель угловой стойки		

## ТИПОВАЯ КОНСТРУКЦИЯ СИСТЕМЫ НАПРАВЛЯЮЩИХ И ПОДВЕСА ГАРАЖНЫХ ВОРОТ СЕРИИ TREND С ТОРСИОННЫМИ ПРУЖИНАМИ

СТАНДАРТНЫЙ ТИП МОНТАЖА

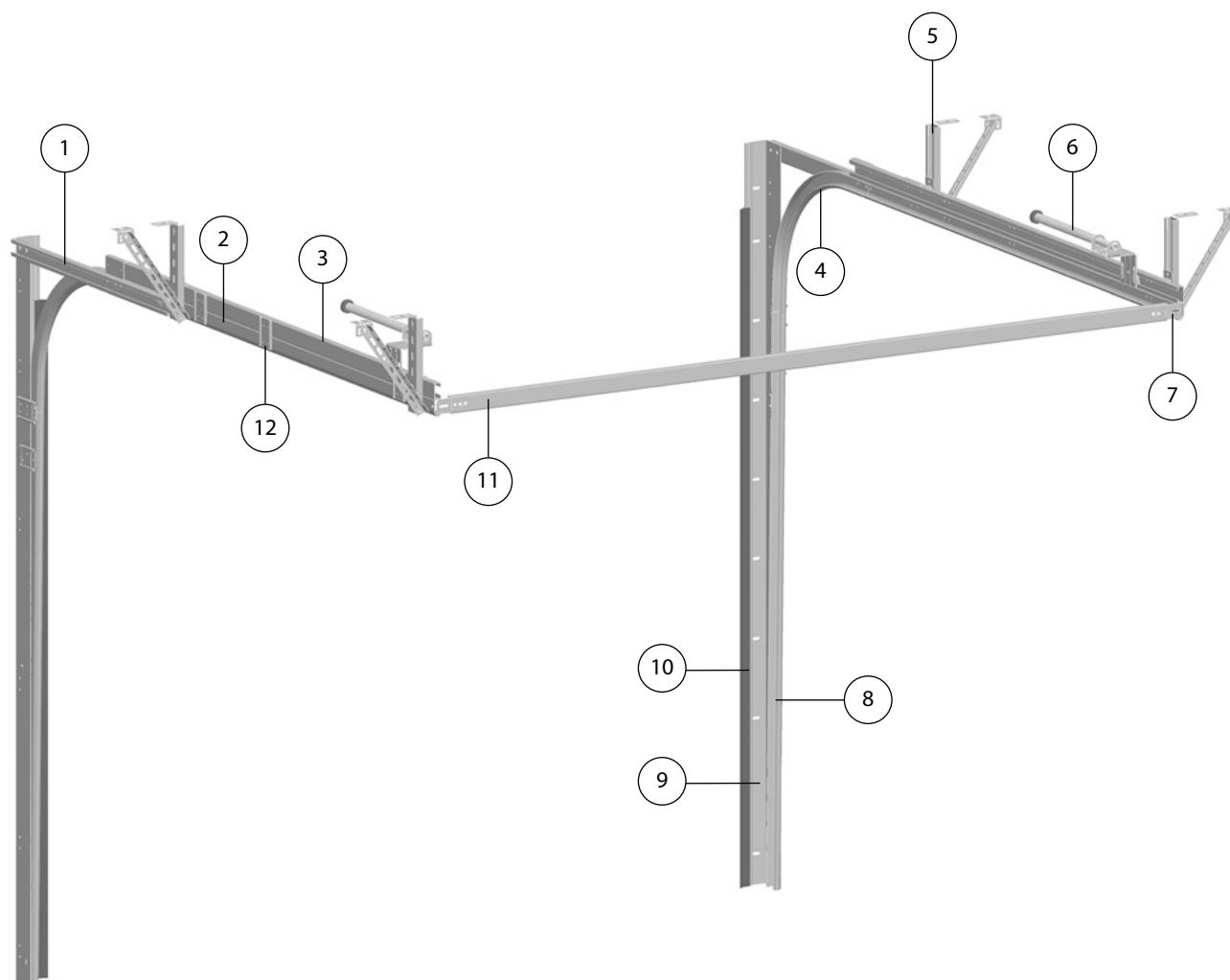


№	Наименование	№	Наименование
1	Узел направляющий передний	8	Профиль направляющий (вертикальный)
2	Профиль передний (нащельник)	9	Профиль угловой
3	Вставка уплотнительная (верхняя)	10	Вставка уплотнительная (боковая)
4	Кронштейн	11	C-профиль (мерная планка)
5	Элемент радиусный	12	Профиль направляющий (горизонтальный)
6	Кронштейн мерной планки	13	Пластина соединительная
7	Ограничитель угловой стойки		



## ТИПОВАЯ КОНСТРУКЦИЯ СИСТЕМЫ НАПРАВЛЯЮЩИХ И ПОДВЕСА ПРОМЫШЛЕННЫХ ВОРОТ СЕРИИ PROTREND, ПАНОРАМНЫХ ВОРОТ СЕРИИ ALUTREND

СТАНДАРТНЫЙ ТИП МОНТАЖА



№	Наименование	№	Наименование
1	Узел направляющий передний	7	Кронштейн мерной планки
2	Профиль направляющий (горизонтальный)	8	Профиль направляющий (вертикальный)
3	C-профиль	9	Профиль угловой
4	Элемент радиусный	10	Вставка уплотнительная
5	Телескопический подвес	11	C-профиль (мерная планка)
6	Демпфер	12	Пластина соединительная

1.1

1.2

1.3

1.4

1.5

2

3

4

## ПРОФИЛИ УГЛОВЫЕ

ДЛЯ ГАРАЖНЫХ ВОРОТ

### Профиль угловой

Предназначен для изготовления вертикальных направляющих.  
Используется в гаражных воротах с пружинами растяжения и торсионными пружинами всех типов монтажа.

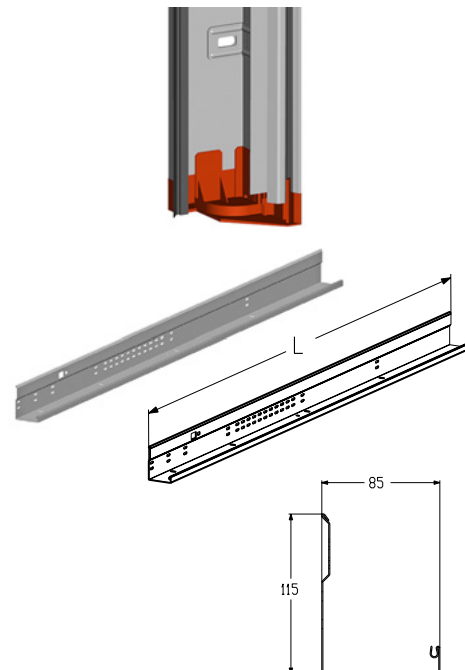
Толщина (S), мм ..... 0,8  
 Материал ..... оцинкованная сталь  
 Покрытие ..... полимерное  
 Цвет ..... белый (близкий RAL 9016)  
 Вес, кг/м ..... 1,537  
 Единица измерения ..... м

Артикул	Код	Применение	Длина (L), мм	Норма поставки	
				м	шт.
PRG-30L	402055412	Левый	2030	20,30	10
			2155	21,55	
			2280	22,80	
			2405	24,05	
			2530	25,30	
			2780	27,80	
			3105	31,05	
			3310	33,10	
PRG-30R	402055312	Правый	2030	20,30	
			2155	21,55	
			2280	22,80	
			2405	24,05	
			2530	25,30	
			2780	27,80	
			3105	31,05	
			3310	33,10	

Профиль угловой



Ограничитель угловой стойки



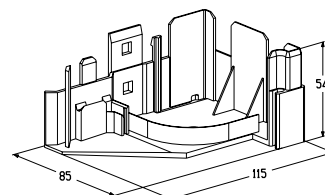
### Ограничитель угловой стойки

Устанавливается совместно с профилем угловым (PRG-30).  
Используется в гаражных воротах с пружинами растяжения и торсионными пружинами всех типов монтажа.

Материал ..... полиамид стеклонаполненный  
 Вес, кг/шт. .... 0,042  
 Единица измерения ..... шт.  
 Норма поставки, шт. .... 30

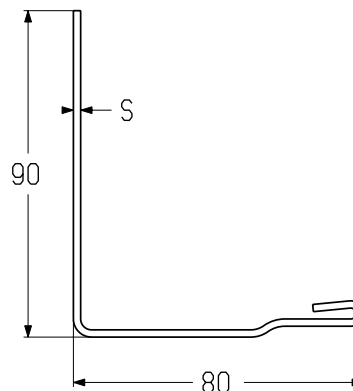


Артикул	Код	Применение
LD-3508R	418700049	Правый
LD-3508L	418700048	Левый



## ПРОФИЛИ УГЛОВЫЕ

ДЛЯ ПРОМЫШЛЕННЫХ ВОРОТ

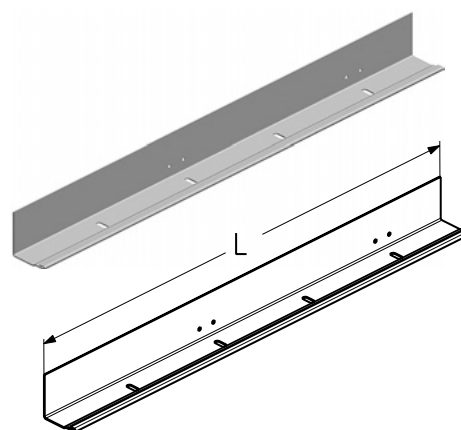


## Профиль угловой

Предназначен для изготовления вертикальных направляющих.  
Используется в промышленных воротах всех типов монтажа, кроме низкого и наклонного низкого.

Толщина (S), мм ..... 2  
 Материал ..... оцинкованная сталь  
 Вес, кг/м ..... 2,74  
 Единица измерения ..... м

Артикул	Код	Длина (L), мм	Норма поставки	
			м	шт.
PRG01	402032000	3355	100,65	30
		3855	115,65	
		4255	127,65	
		4555	136,65	
		4755	142,65	
		5055	151,65	
		6000	180,00	

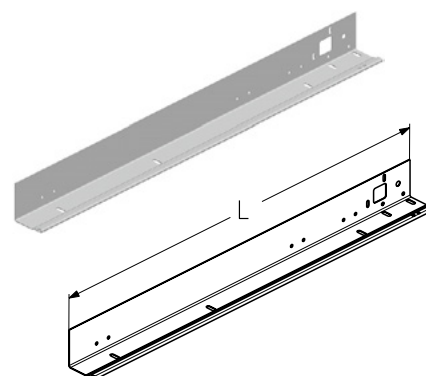


## Профиль угловой

Предназначен для изготовления вертикальных направляющих.  
Используется в промышленных воротах низкого типа монтажа.

Толщина (S), мм ..... 2  
 Материал ..... оцинкованная сталь  
 Вес, кг/м ..... 2,74  
 Единица измерения ..... м

Артикул	Код	Применение	Длина (L), мм	Норма поставки	
				м	шт.
PRG01LL	402032100	Левый	3355	50,33	15
			4155	62,33	
			4555	68,33	
			6000	90,00	
PRG01LR	402032200	Правый	3355	50,33	
			4155	62,33	
			4555	68,33	
			6000	90,00	



1.1

1.2

1.3

1.4

1.5

2

3

4

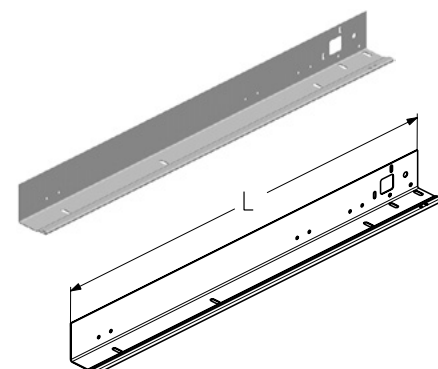
## ПРОФИЛИ УГЛОВЫЕ

ДЛЯ ПРОМЫШЛЕННЫХ ВОРОТ

### Профиль угловой

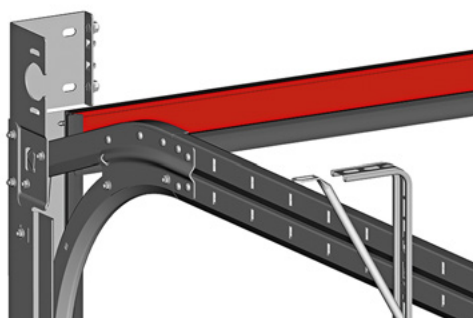
Предназначен для изготовления вертикальных направляющих.  
Используется в промышленных воротах наклонного низкого типа монтажа.

Толщина (S), мм ..... 2  
 Материал ..... оцинкованная сталь  
 Вес, кг/м ..... 2,74  
 Единица измерения ..... м

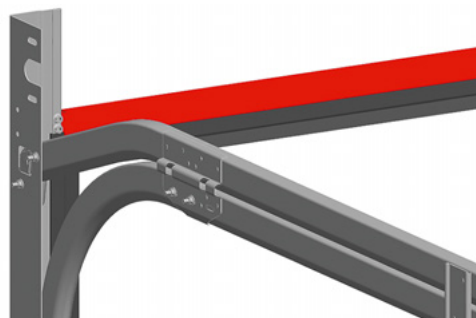


Артикул	Код	Применение	Длина (L), мм	Норма поставки	
				м	шт.
PRG01LFL	402032300	Левый	3355	50,33	15
			4155	62,33	
			4555	68,33	
			6000	90,00	
PRG01LFR	402032400	Правый	3355	50,33	
			4155	62,33	
			4555	68,33	
			6000	90,00	

## ПРОФИЛИ ПЕРЕДНИЕ



Профиль передний (PRG-35)

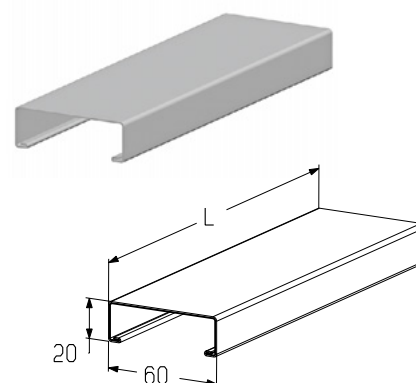


Профиль передний (PRG05S)

## Профиль передний (нащельник)

Предназначен для соединения профилей угловых и для крепления вставки уплотнительной (RST-13T).  
Используется в гаражных воротах с пружинами растяжения и торсионными пружинами стандартного и низкого типов монтажа.

Толщина (S), мм	0,8
Материал	оцинкованная сталь
Покрытие	полимерное
Цвет	белый (близкий RAL 9016)
Вес, кг/м	0,718
Единица измерения	м
Норма поставки, шт.	50



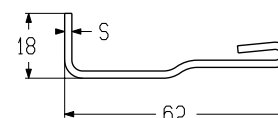
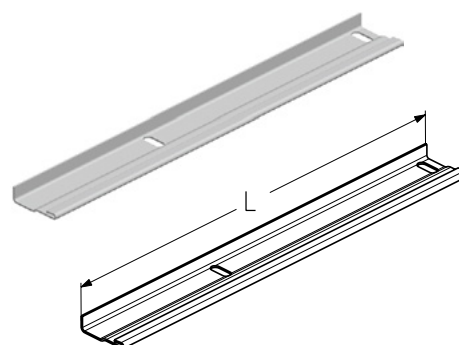
Артикул	Код
PRG-35	402450112

## Профиль передний (нащельник)

Предназначен для соединения профилей угловых и для крепления вставки уплотнительной (IS85).  
Используется в промышленных воротах низкого, низкого с передним расположением вала, низкого с передним расположением вала (тип 2) и наклонного низкого типов монтажа.

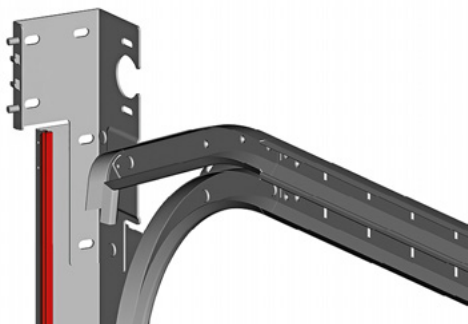
Толщина (S), мм	1,2
Материал	оцинкованная сталь
Вес, кг/м	0,825
Единица измерения	м

Артикул	Код	Длина (L), мм	Норма поставки	
			м	шт.
PRG05S	402431000	5600	336,00	60
		6860	411,6	



## ВСТАВКА УПЛОТНИТЕЛЬНАЯ

ДЛЯ ГАРАЖНЫХ ВОРОТ



Вставка уплотнительная (RSS-15T)



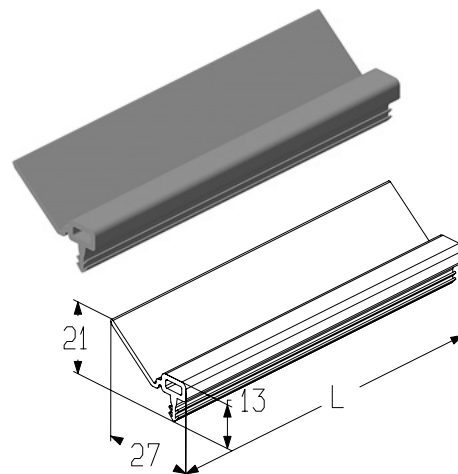
Вставка уплотнительная (RST-13T)

### Вставка уплотнительная

Предназначена для герметизации проема.  
Устанавливается совместно с профилем угловым (**PRG-30L, PRG-30R**) в гаражных воротах с пружинами растяжения и торсионными пружинами всех типов монтажа.

Материал .....	R.PVH/TPE
Вес, кг/м .....	0,113
Единица измерения .....	м
Норма поставки, м .....	170

Артикул	Код
RSS-15T	417500249

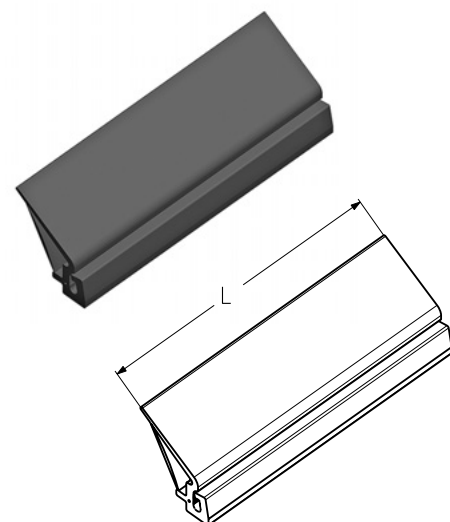


### Вставка уплотнительная

Предназначена для герметизации проема.  
Устанавливается совместно с профилем передним (**PRG-35**) в гаражных воротах с пружинами растяжения и торсионными пружинами стандартного и низкого типов монтажа.

Материал .....	EPDM
Вес, кг/м .....	0,119
Единица измерения .....	м
Норма поставки, м .....	100

Артикул	Код
RST-13T	401541000



## ВСТАВКА УПЛОТНИТЕЛЬНАЯ

**Вставка уплотнительная**

Предназначена для герметизации проема.

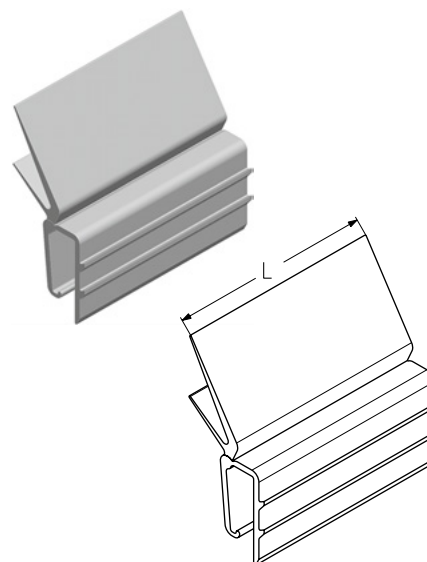
Устанавливается:

- совместно с профилем передним в промышленных воротах низкого, низкого с передним расположением вала, низкого с передним расположением вала (тип 2) и наклонного низкого типов монтажа;
- совместно с профилем угловым в промышленных воротах всех типов монтажа.

Материал ..... PVC и TPR

Вес, кг/м ..... 0,2

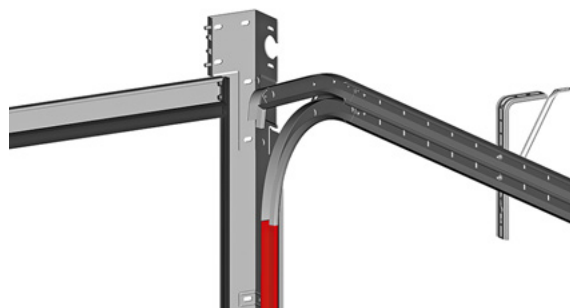
Единица измерения ..... м



Артикул	Код	Длина (L), мм	Норма поставки	
			м	шт.
IS85-2550	401540600	2550	25,50	10
IS85-3060	401540100	3060	30,60	
IS85-3550	401540700	3550	35,50	
IS85-4100	401541200	4100	41,00	
IS85-4580	401541300	4580	45,80	
IS85-6000	401541300	6000	60,00	
IS85-7000	401540800	7000	70,00	
IS85-8000	401540900	8000	80,00	

## ПРОФИЛЬ НАПРАВЛЯЮЩИЙ

ДЛЯ ГАРАЖНЫХ ВОРОТ



Профиль направляющий (PRG31)

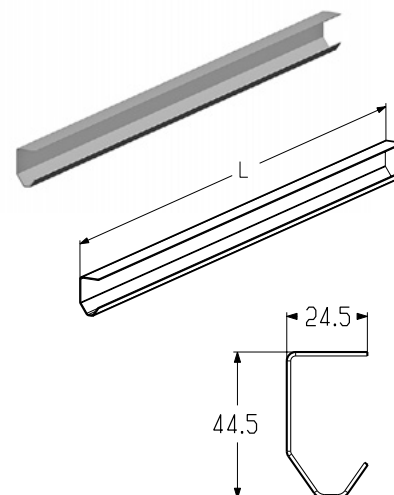


Профиль направляющий (PRG32)

### Профиль направляющий (вертикальный)

Предназначен для создания траектории движения полотна ворот в вертикальной плоскости. Устанавливается совместно с профилем угловым (PRG-30L, PRG-30R). Используется в гаражных воротах с пружинами растяжения и торсионными пружинами всех типов монтажа.

Толщина (S), мм ..... 1,2  
 Материал ..... оцинкованная сталь  
 Вес, кг/м ..... 0,828  
 Единица измерения ..... м

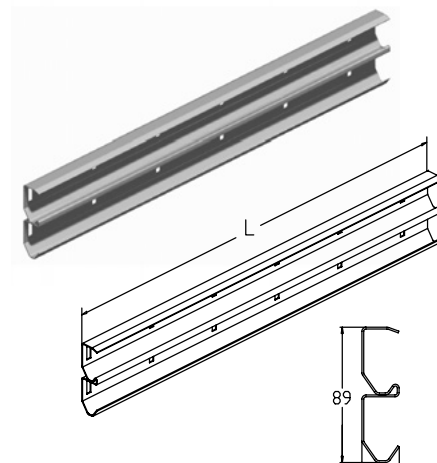


Артикул	Код	Длина (L), мм	Норма поставки	
			м	шт.
PRG-31	402112600	1672	167,2	100
		1797	179,7	
		1922	192,2	
		2047	204,7	
		2172	217,2	
		2272	227,2	
		2485	248,5	
		2850	285,0	
		3400	340,0	

### Профиль направляющий (горизонтальный)

Предназначен для создания траектории движения полотна ворот в горизонтальной плоскости. Используется в гаражных воротах с пружинами растяжения и торсионными пружинами всех типов монтажа.

Толщина (S), мм ..... 1,2  
 Материал ..... оцинкованная сталь  
 Вес, кг/м ..... 1,65  
 Единица измерения ..... м

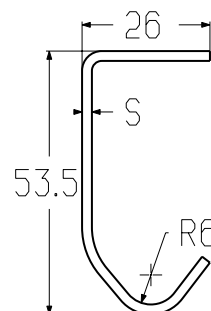
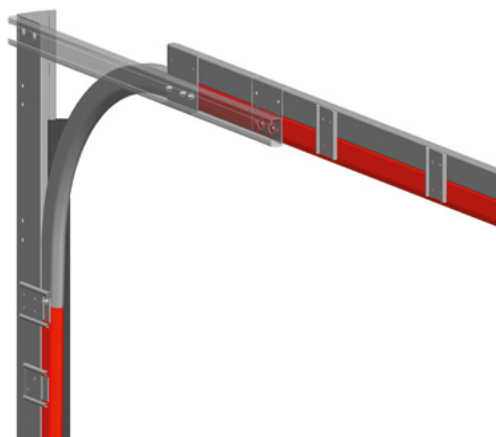


Артикул	Код	Длина (L), мм	Норма поставки	
			м	шт.
PRG-32	402112700	1920	960	50
		2120	1060	
		2320	1160	
		2520	1260	
		2720	1360	
		2820	1410	
		3020	1510	



## ПРОФИЛЬ НАПРАВЛЯЮЩИЙ

ДЛЯ ПРОМЫШЛЕННЫХ ВОРОТ

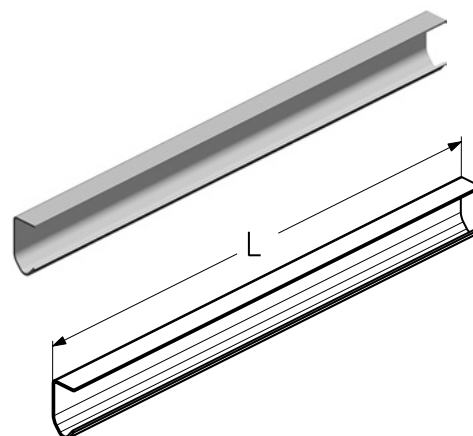


## Профиль направляющий

Предназначен для создания траектории движения полотна ворот. Устанавливается совместно с профилем угловым (PRG01).

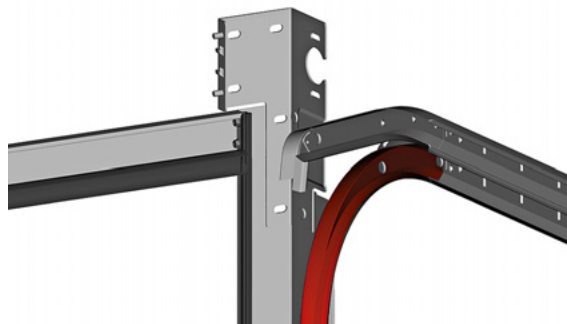
Используется в промышленных воротах всех типов монтажа.

Толщина (S), мм ..... 2  
 Материал ..... оцинкованная сталь  
 Вес, кг/м ..... 1,439  
 Единица измерения ..... м

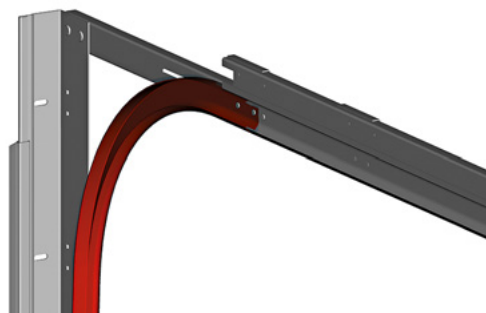


Артикул	Код	Длина, мм	Норма поставки	
			м	шт.
PRG03	402120600	2800	140,0	50
		3500	175,0	50
		4060	203,0	50
		4350	217,5	50
		5000	250,0	50
		6000	300,0	50
		8000	480,0	60

## ЭЛЕМЕНТ РАДИУСНЫЙ



Элемент радиусный гаражных ворот



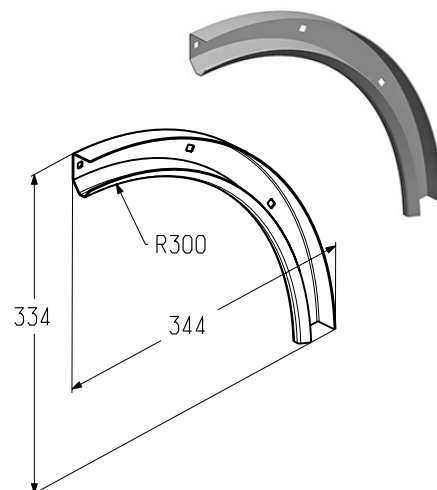
Элемент радиусный промышленных ворот

### Элемент радиусный

Предназначен для соединения вертикальной и горизонтальной направляющих. Используется в гаражных воротах с пружинами растяжения и торсионными пружинами всех типов монтажа.

Радиус, мм	300
Толщина, мм	1,2
Материал	оцинкованная сталь
Вес, кг./шт.	0,41
Единица измерения	шт.
Норма поставки, шт.	60

Артикул	Код
RE-801T	402210400

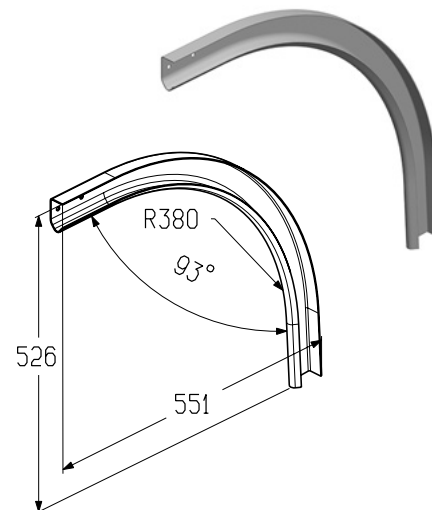


### Элемент радиусный левый Элемент радиусный правый

Предназначен для соединения вертикальной и горизонтальной направляющих. Используется в промышленных воротах стандартного, высокого с верхним и нижним расположением вала, низкого с передним расположением вала, низкого с передним расположением вала (тип 2) и низкого типов монтажа.

Радиус, мм	380
Толщина (S), мм	2
Материал	оцинкованная сталь
Вес, кг./шт.	1,274
Единица измерения	шт.
Норма поставки, шт.	60

Артикул	Код	Применение
RE101L	402230000	Левый
RE101R	402230100	Правый

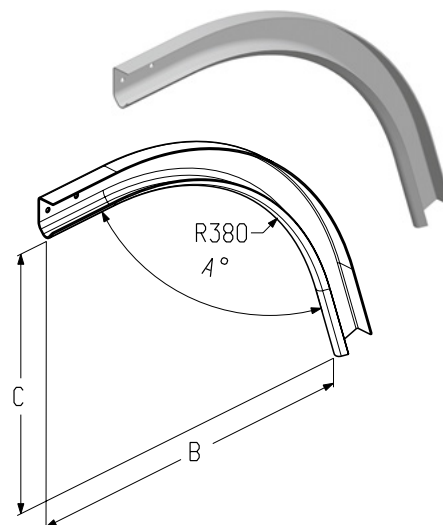


## ЭЛЕМЕНТ РАДИУСНЫЙ

**Элемент радиусный левый**  
**Элемент радиусный правый**

Предназначен для соединения вертикальной и горизонтальной направляющих.  
Используется в промышленных воротах наклонного, наклонного высокого с верхним и нижним расположением вала, наклонного низкого типов монтажа.

Радиус, мм .....	380
Толщина (S), мм .....	2
Материал .....	оцинкованная сталь
Единица измерения .....	шт.
Норма поставки, шт. ....	60

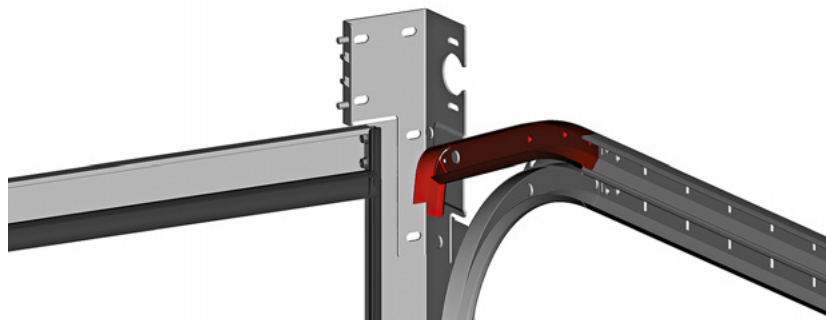


Артикул	Код	Основные размеры			Угол наклона*, град	Вес, кг/шт.	Применение
		А, град	В, мм	С, мм			
RE101FL-5	402230200	97	445		5	1,218	Левый
RE101FR-5	402230300						Правый
RE101FL-10	402230400	102	411		10	1,163	Левый
RE101FR-10	402230500						Правый
RE101FL-15	402230600	107	376		15	1,110	Левый
RE101FR-15	402230700						Правый
RE101FL-20	402230800	112	342		20	1,055	Левый
RE101FR-20	402230900						Правый
RE101FL-25	402231000	117	307		25	1,050	Левый
RE101FR-25	402231100						Правый
RE101FL-30	402231200	122	274		30	0,958	Левый
RE101FR-30	402231300						Правый
RE101FL-35	402231400	128	260		35	1,001	Левый
RE101FR-35	402231500						Правый
RE101FL-40	402231600	133	245		40	1,024	Левый
RE101FR-40	402231700						Правый
RE101FL-45	402231800	138	210	230	45	1,010	Левый
RE101FR-45	402231900						Правый

\* Угол наклона горизонтальной направляющей.

## УЗЕЛ НАПРАВЛЯЮЩИЙ ПЕРЕДНИЙ

ДЛЯ ГАРАЖНЫХ ВОРОТ



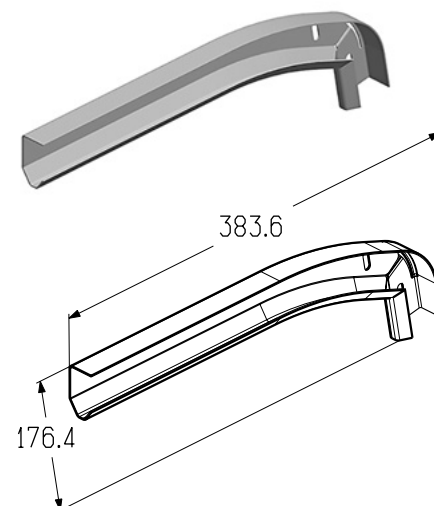
### Узел направляющий передний

Предназначен для создания траектории движения верхней панели полотна ворот совместно с профилем направляющим (**PRG-31, PRG-32**).

Используется в гаражных воротах с пружинами растяжения и торсионными пружинами низкого типа монтажа.

Толщина, мм ..... 1,2  
 Материал ..... оцинкованная сталь  
 Единица измерения ..... шт.  
 Норма поставки, шт. .... 60

Артикул	Код	Применение
S-3505LL	402310400	Левый
S-3505LR	402310500	Правый



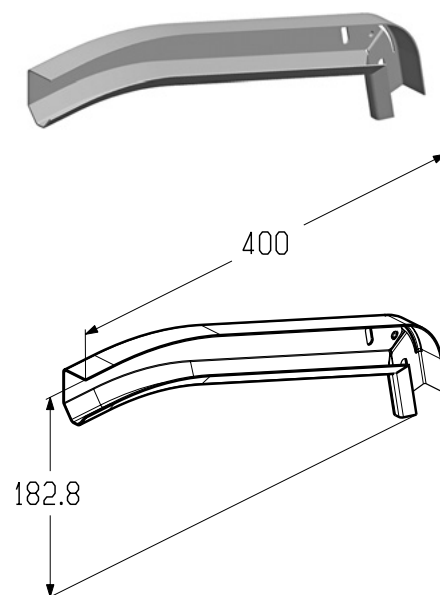
### Узел направляющий передний

Предназначен для создания траектории движения верхней панели полотна ворот совместно с профилем направляющим (**PRG-31, PRG-32**).

Используется в гаражных воротах с торсионными пружинами стандартного типа монтажа.

Толщина, мм ..... 1,2  
 Материал ..... оцинкованная сталь  
 Единица измерения ..... шт.  
 Норма поставки, шт. .... 60

Артикул	Код	Применение
S-3506NL	402310600	Левый
S-3506NR	402310700	Правый



## УЗЕЛ НАПРАВЛЯЮЩИЙ ПЕРЕДНИЙ

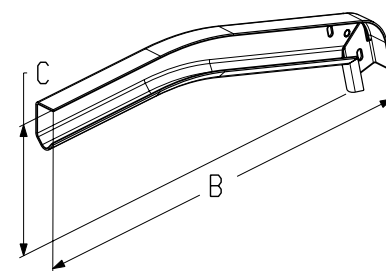
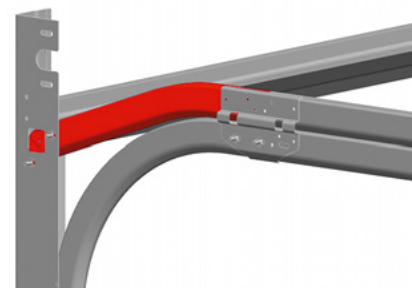
Узел направляющий передний левый  
Узел направляющий передний правый

Предназначен для создания траектории движения верхней панели полотна ворот совместно с профилем направляющим (PRG03).

Используется в промышленных воротах наклонного низкого типа монтажа, низкого с передним расположением вала и низкого с передним расположением вала (тип 2) — S-160LNL, S-160LNR.

Толщина (S), мм ..... 2  
 Материал ..... оцинкованная сталь  
 Единица измерения ..... шт.  
 Норма поставки, шт. .... 60

Артикул	Код	Основные размеры, мм		Угол наклона*, град	Вес, кг/шт.	Применение
		В	С			
S140LFL-5	402330200	559	237	5	0,870	Левый
S140LFR-5	402330300					Правый
S140LFL-10	402330400	543	201	10	0,810	Левый
S140LFR-10	402330500					Правый
S140LFL-15	402330600	506	168	15	0,755	Левый
S140LFR-15	402330700					Правый
S140LFL-20	402330800	473	139	20	0,705	Левый
S140LFR-20	402330900					Правый
S140LFL-25	402331000	441	111	25	0,685	Левый
S140LFR-25	402331100					Правый
S140LFL-30	402331200	409		30	0,645	Левый
S140LFR-30	402331300					Правый
S140LFL-35	402331600	427	86	35	0,650	Левый
S140LFR-35	402331700					Правый
S140LFL-40	402331800	407		40	0,620	Левый
S140LFR-40	402331900					Правый
S140LFL-45	402332000	407		45	0,620	Левый
S140LFR-45	402332100					Правый
S-160LNL	402332300	636	137	20	0,943	Левый
S-160LNR	402332200					Правый

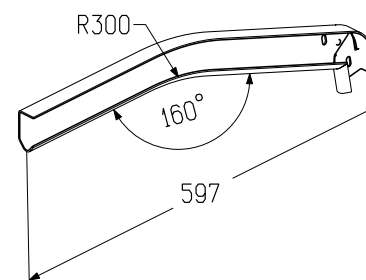
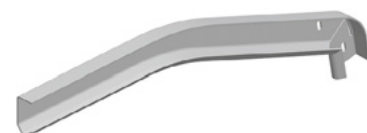
Узел направляющий передний левый  
Узел направляющий передний правый

Предназначен для создания траектории движения верхней панели полотна ворот совместно с профилем направляющим (PRG03).

Используется в промышленных воротах низкого типа монтажа.

Толщина (S), мм ..... 2  
 Материал ..... оцинкованная сталь  
 Вес, кг/шт. .... 0,875  
 Единица измерения ..... шт.  
 Норма поставки, шт. .... 60

Артикул	Код	Применение
S140LL	402330000	Левый
S140LR	402330100	Правый



\* Угол наклона горизонтальной направляющей.

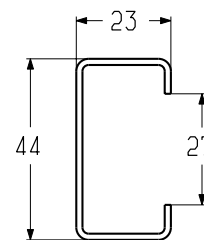
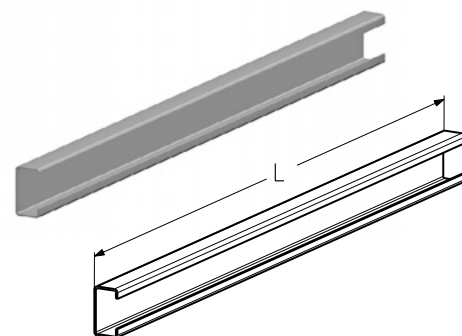
## ПРОФИЛИ НАПРАВЛЯЮЩИЕ

### С-профиль

Предназначен для изготовления мерной планки.

Используется в гаражных воротах с пружинами растяжения и торсионными пружинами всех типов монтажа.

Толщина, мм ..... 1,5  
 Материал ..... оцинкованная сталь  
 Вес, кг/м ..... 1,133  
 Единица измерения ..... м



Артикул	Код	Длина (L), мм	Норма поставки	
			м	шт.
PRG-33	402480300	5600	280	50
		6860	343	

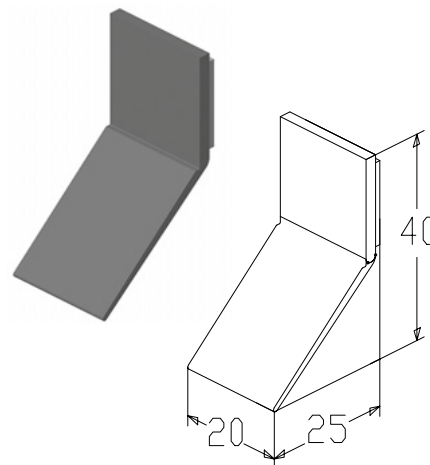
## УГОЛОК

**Уголок**

Применяется в гаражных воротах высокого типа монтажа для улучшения герметизации проема.

Материал ..... ПВХ  
 Цвет ..... черный  
 Вес, кг/шт. .... 0,--28  
 Единица измерения ..... шт.

Артикул	Код
В-3600ТН	418700052



1.1

1.2

1.3

1.4

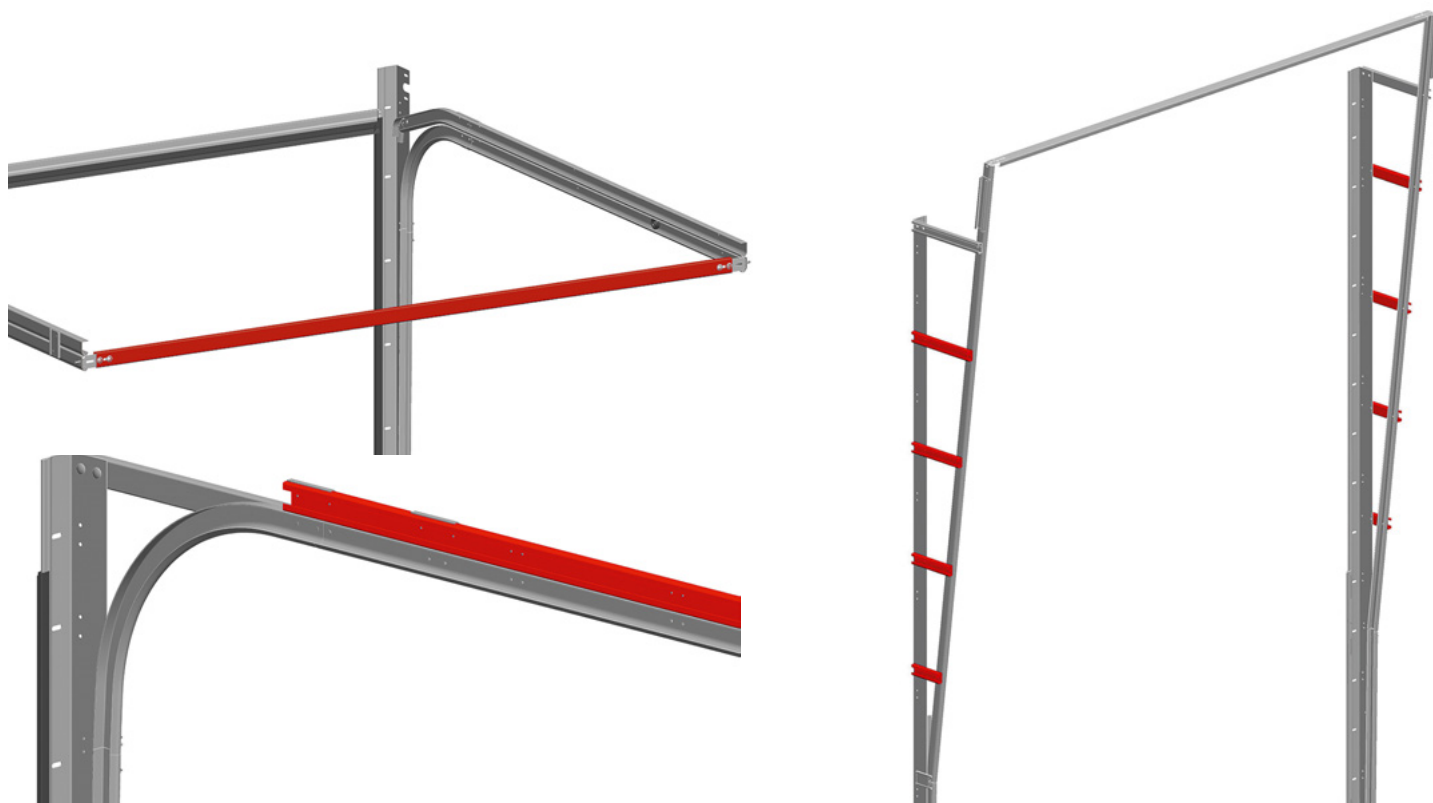
1.5

2

3

4

## С-ПРОФИЛЬ

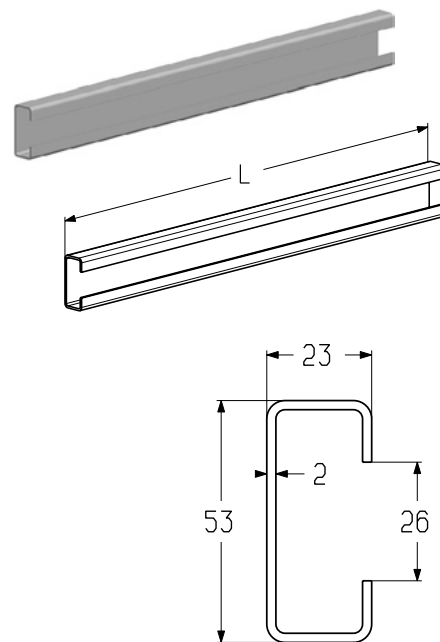


### С-профиль

Предназначен для:

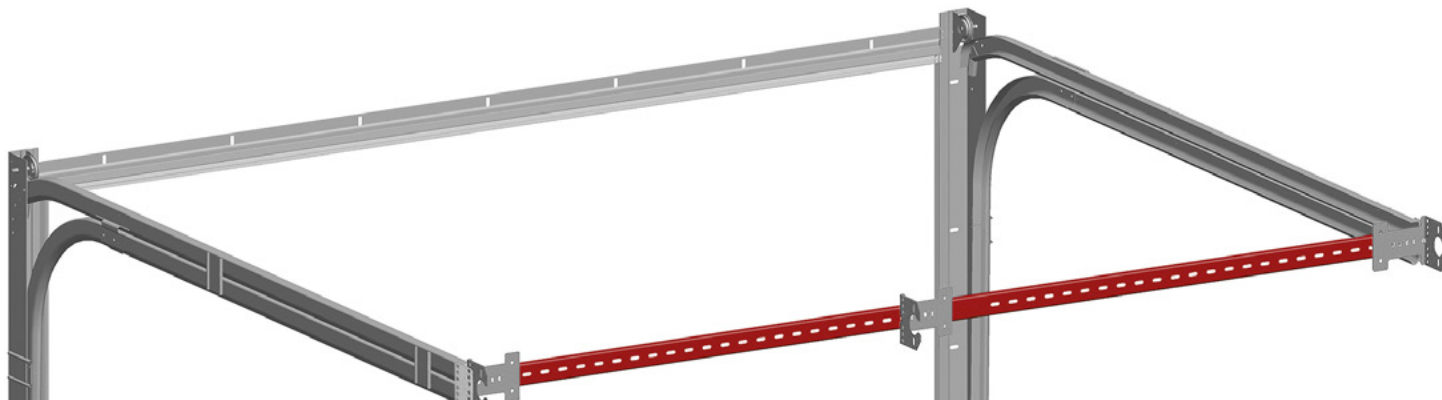
- изготовления мерной планки в промышленных воротах всех типов монтажа, кроме низкого и наклонного низкого.
- усиления горизонтальной направляющей в промышленных воротах всех типов монтажа, кроме низкого и наклонного низкого.
- соединения профиля углового и профиля направляющего в промышленных воротах вертикального типа монтажа с верхним расположением вала.

Толщина, мм ..... 2  
 Материал ..... оцинкованная сталь  
 Вес, кг/м ..... 1,74  
 Единица измерения ..... М



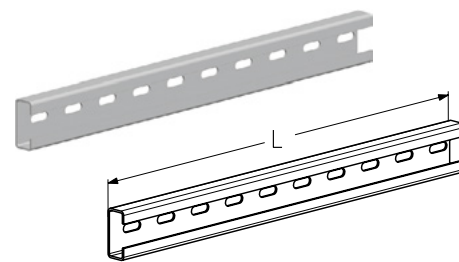
Артикул	Код	Длина (L), мм	Норма поставки	
			м	шт.
PRG07N	402421600	3045	152,25	50
		3245	162,25	
		3550	177,50	
		4050	202,50	
		4550	227,50	
		5106	255,30	
		5600	280,00	
		6000	300,00	
		6800	340,00	
		10040	502,00	30



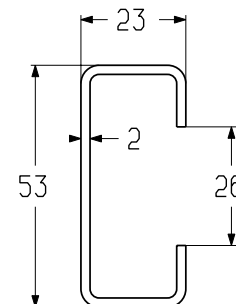
**С-ПРОФИЛЬ  
(МЕРНАЯ ПЛАНКА)****С-профиль**

Перфорированный, предназначен для изготовления мерной планки.  
Используется в промышленных воротах низкого и наклонного низкого типов монтажа.

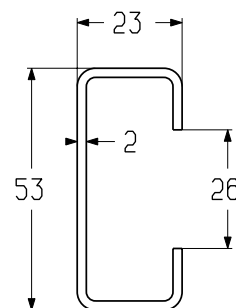
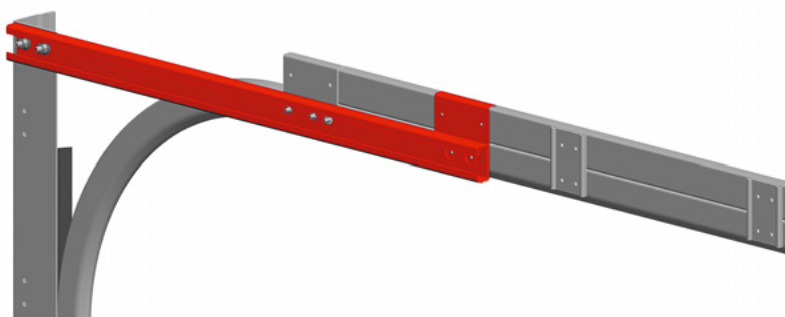
Толщина, мм ..... 2  
 Материал ..... оцинкованная сталь  
 Вес, кг/м ..... 1,67  
 Единица измерения ..... м



Артикул	Код	Длина (L), мм	Норма поставки	
			м	шт.
PRG07	402421500	6000	300	50



## УЗЕЛ ПЕРЕДНИЙ

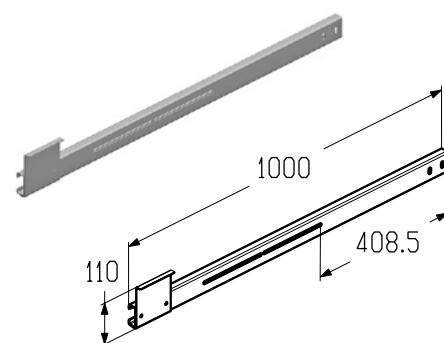


### Узел передний левый Узел передний правый

Предназначен для соединения профиля углового с горизонтальной направляющей.  
Используется в промышленных воротах стандартного и высокого с верхним и нижним расположением вала типов монтажа.

Материал ..... оцинкованная сталь  
Вес, кг/шт. .... 1,89  
Единица измерения ..... шт.  
Норма поставки, шт. .... 100

Артикул	Код	Применение
S-171L	402500300	Левый
S-171R	402500400	Правый

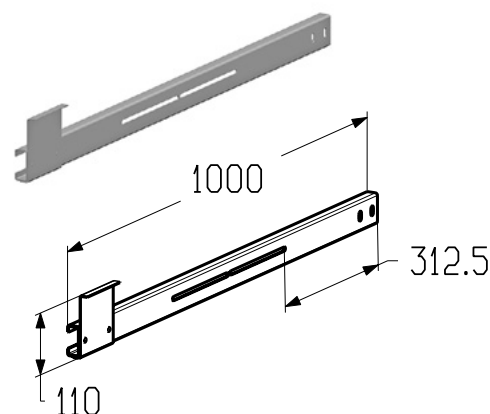


### Узел передний левый Узел передний правый

Предназначен для соединения профиля углового с горизонтальной направляющей.  
Используется в промышленных воротах наклонного, наклонного высокого с верхним и нижним расположением вала типов монтажа, высокого с верхним и нижним расположением вала типов монтажа.

Материал ..... оцинкованная сталь  
Вес, кг/шт. .... 1,835  
Единица измерения ..... шт.  
Норма поставки, шт. .... 100

Артикул	Код	Применение
S-172L	402500500	Левый
S-172R	402500600	Правый



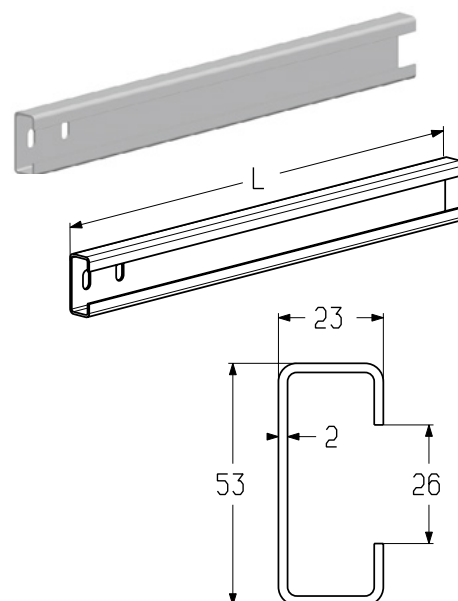
## КРОНШТЕЙН СОЕДИНИТЕЛЬНЫЙ

**Кронштейн соединительный**

Предназначен для соединения профиля углового и профиля направляющего.  
Используется в промышленных воротах вертикального типа монтажа с верхним расположением вала.

Материал ..... оцинкованная сталь  
Единица измерения ..... шт.  
Норма поставки, шт. .... 100

Артикул	Код	Длина (L), мм	Вес, кг/шт.
CB132-450	402600000	450	0,750
CB132-500	402600100	500	0,828



1.1

1.2

1.3

1.4

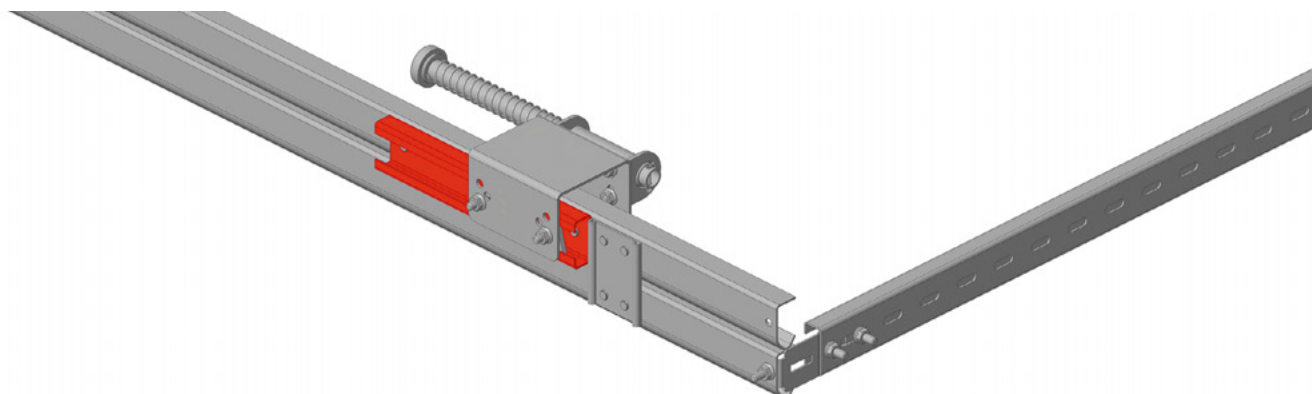
1.5

2

3

4

## КРОНШТЕЙН



### Кронштейн

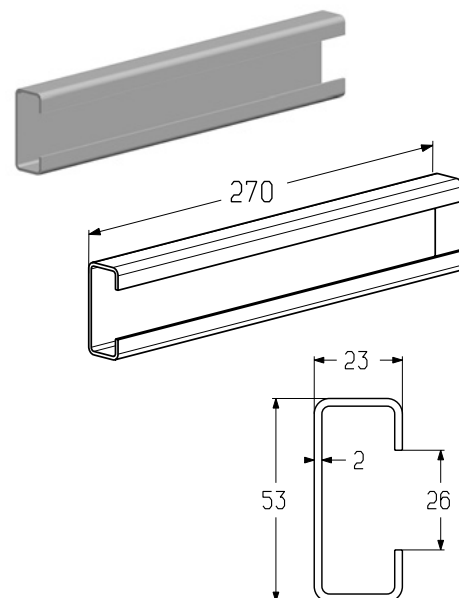
Предназначен для установки демпферов.

Используется:

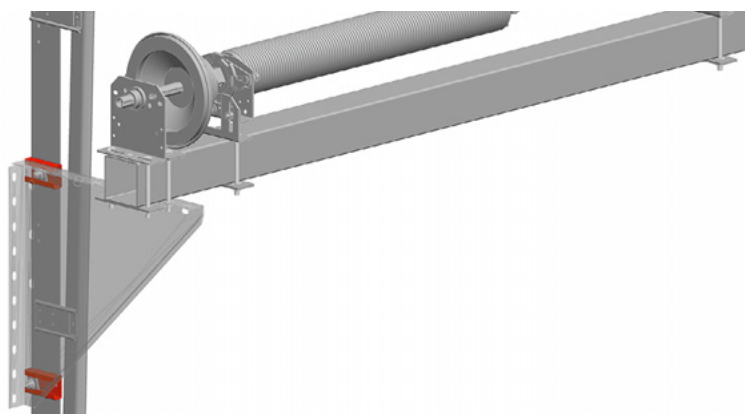
- в гаражных воротах высокого типа монтажа;
- в промышленных воротах вертикального типа монтажа с верхним и нижним расположением вала, низкого и наклонного низкого типов монтажа.

Длина, мм .....	270
Материал .....	оцинкованная сталь
Вес, кг/шт. ....	0,29
Единица измерения .....	шт.
Норма поставки, шт. ....	50

Артикул	Код
V134	402600200



## КРОНШТЕЙН

**Кронштейн**

Предназначен для установки кронштейна (TP-550).

Используется в промышленных воротах высокого, вертикального, наклонного высокого типов монтажа с нижним расположением вала.

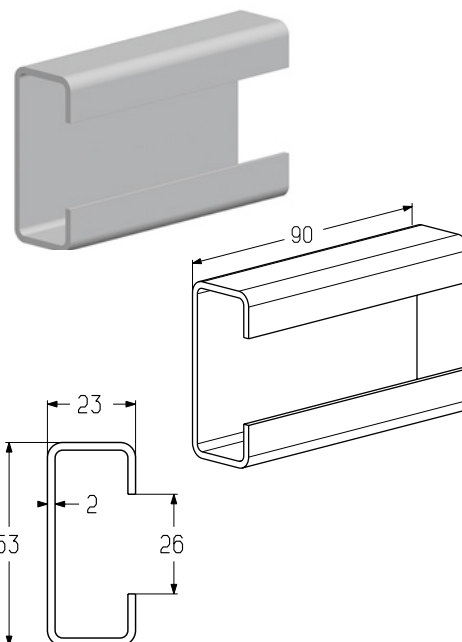
Материал ..... Оцинкованная сталь

Вес, кг/шт. .... 0,15

Единица измерения ..... шт.

Норма поставки, шт. .... 150

Артикул	Код
V133	402600300



1.1

1.2

1.3

1.4

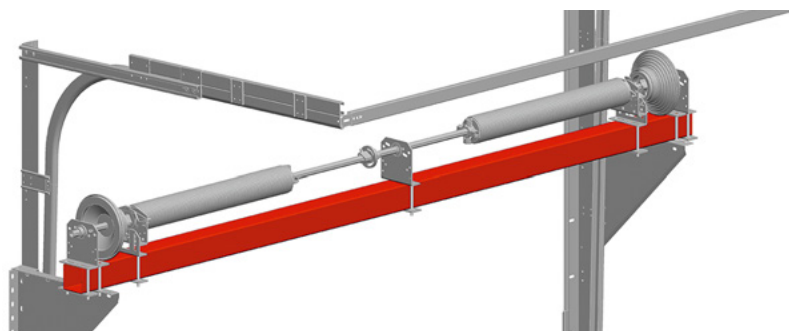
1.5

2

3

4

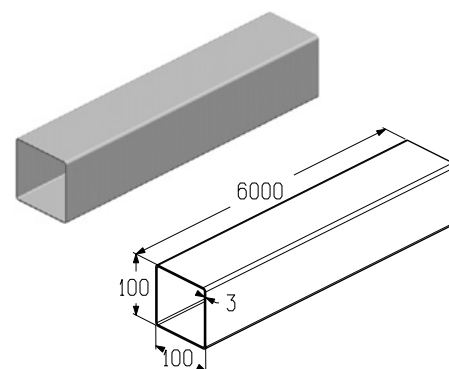
## ПРОФИЛЬ НЕСУЩИЙ



### Профиль несущий

Предназначен для установки торсионного вала.  
Используется в промышленных воротах высокого, вертикального, наклонного высокого типов монтажа с нижним расположением вала.

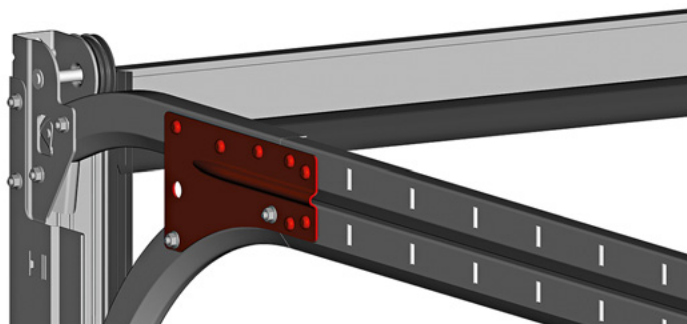
Длина, мм ..... 6000  
 Материал ..... оцинкованная сталь  
 Вес, кг/м ..... 9  
 Единица измерения ..... м  
 Норма поставки, м ..... 54



Артикул	Код
T-100-6000	402440000

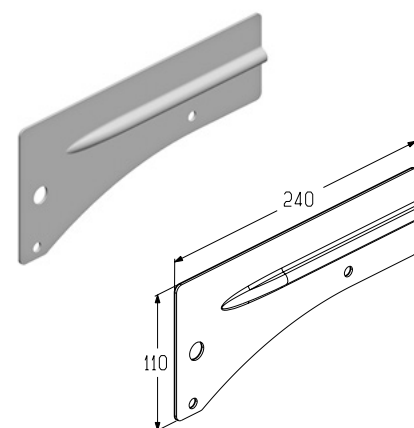
## КРОНШТЕЙНЫ И ПЛАСТИНЫ СОЕДИНИТЕЛЬНЫЕ

## УСТАНОВКА ПЛАСТИН СОЕДИНИТЕЛЬНЫХ

**Пластина соединительная**

Предназначена для соединения горизонтальной направляющей с элементом радиусным и узлом направляющим передним.  
Используется в гаражных воротах с торсионными пружинами высокого типа монтажа и пружинами растяжения.

Материал ..... оцинкованная сталь  
Вес, кг/шт. .... 0,33  
Единица измерения ..... шт.  
Норма поставки, шт. .... 60

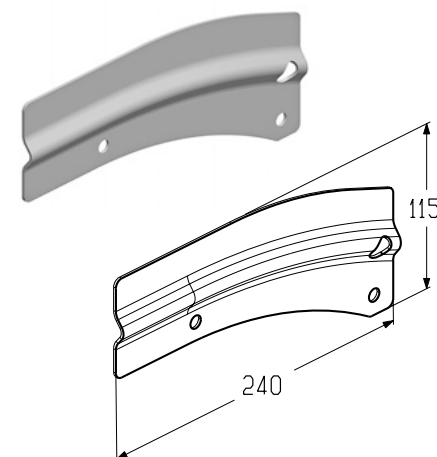


Артикул	Код	Применение
CP-3502R	402812000	Правая
CP-3502L	402812100	Левая

**Пластина соединительная**

Предназначена для соединения горизонтальной направляющей с элементом радиусным и узлом направляющим передним.  
Используется в гаражных воротах с торсионными пружинами стандартного типа монтажа.

Материал ..... оцинкованная сталь  
Вес, кг/шт. .... 0,30  
Единица измерения ..... шт.  
Норма поставки, шт. .... 80



Артикул	Код	Применение
CP-3504NR	402812400	Правая
CP-3504NL	402812500	Левая

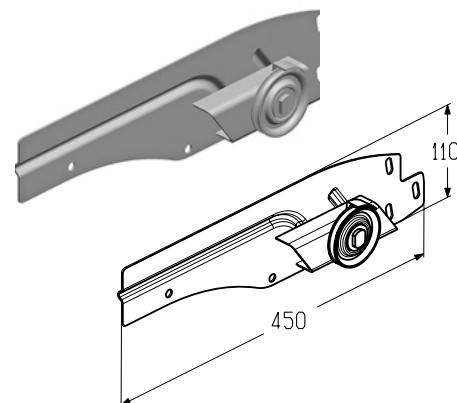
## КРОНШТЕЙНЫ И ПЛАСТИНЫ СОЕДИНИТЕЛЬНЫЕ

### Пластина соединительная

Предназначена для соединения горизонтальной направляющей с элементом радиусным и узлом направляющим передним.

Используется в гаражных воротах с торсионными пружинами низкого типа монтажа.

Материал ..... оцинкованная сталь  
 Вес, кг/шт. .... 0,93  
 Единица измерения ..... шт.  
 Норма поставки, шт. .... 20



Артикул	Код	Применение
CP-3503LR	402812200	Правая
CP-3503LL	402812300	Левая

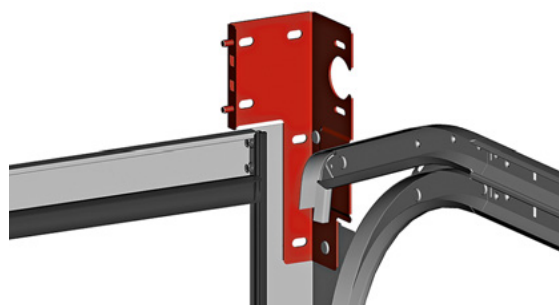


## КРОНШТЕЙНЫ И ПЛАСТИНЫ СОЕДИНИТЕЛЬНЫЕ

## УСТАНОВКА КРОНШТЕЙНА



Кронштейн (B-180TL/R)



Кронштейн (B-180TNL/R)

**Кронштейн**

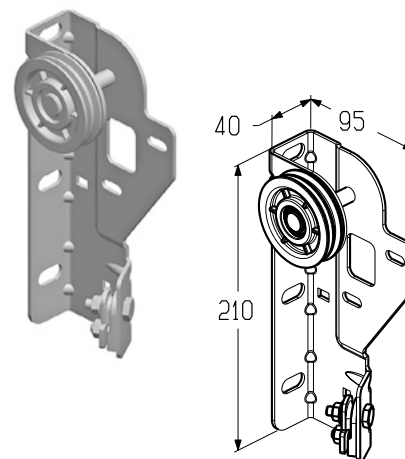
Предназначен для:

- крепления узла направляющего переднего;
- крепления троса.

Используется в гаражных воротах с пружинами растяжения.

Материал .....	оцинкованная сталь
Вес, кг/шт. ....	0,63
Единица измерения .....	шт.
Норма поставки, шт. ....	30

Артикул	Код	Применение
B-180TL	402630300	Левый
B-180TR	402630400	Правый

**Кронштейн**

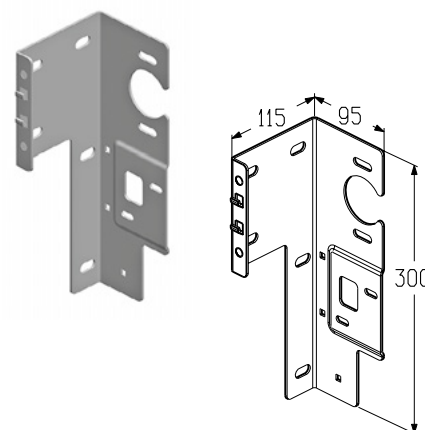
Предназначен для:

- крепления узла направляющего переднего;
- торсионного вала.

Используется в гаражных воротах с торсионными пружинами стандартного типа монтажа.

Материал .....	оцинкованная сталь
Вес, кг/шт. ....	0,89
Единица измерения .....	шт.
Норма поставки, шт. ....	20

Артикул	Код	Применение
B-180TNL	402630700	Левый
B-180TNR	402630800	Правый



## КРОНШТЕЙНЫ И ПЛАСТИНЫ СОЕДИНИТЕЛЬНЫЕ

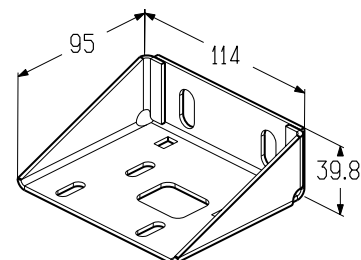
### УСТАНОВКА КРОНШТЕЙНА



#### Кронштейн

Предназначен для крепления узла направляющего переднего.  
Используется в гаражных воротах с торсионными пружинами низкого типа монтажа.

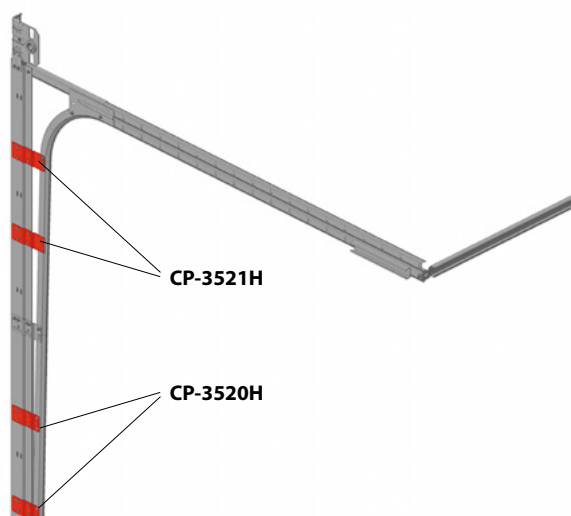
Материал ..... оцинкованная сталь  
Вес, кг/шт. .... 0,23  
Единица измерения ..... шт.  
Норма поставки, шт. .... 60



Артикул	Код	Применение
B-180TLL	402630500	Левый
B-180TLR	402630600	Правый

## КРОНШТЕЙНЫ И ПЛАСТИНЫ СОЕДИНИТЕЛЬНЫЕ

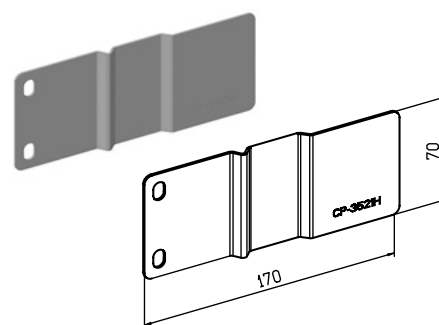
## УСТАНОВКА ПЛАСТИНЫ СОЕДИНИТЕЛЬНОЙ

**Пластина соединительная**

Предназначена для соединения профиля углового с профилем направляющим (вертикальным).  
Используется в гаражных воротах высокого типа монтажа.

Материал ..... оцинкованная сталь  
Вес, кг/шт. .... 0,115  
Единица измерения ..... шт.  
Норма поставки, шт. .... 80

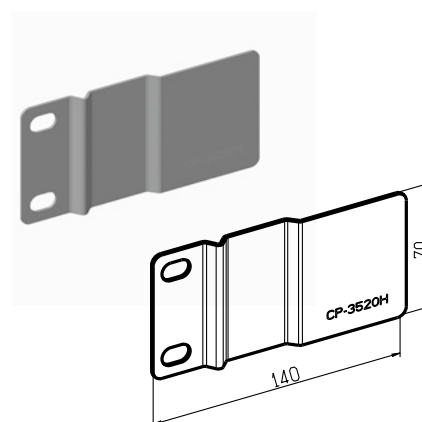
Артикул	Код
CP-3521H	402812800

**Пластина соединительная**

Предназначена для соединения профиля углового с профилем направляющим (вертикальным).  
Используется в гаражных воротах высокого типа монтажа.

Материал ..... оцинкованная сталь  
Вес, кг/шт. .... 0,12  
Единица измерения ..... шт.  
Норма поставки, шт. .... 100

Артикул	Код
CP-3520H	402812700



1.1

1.2

1.3

1.4

1.5

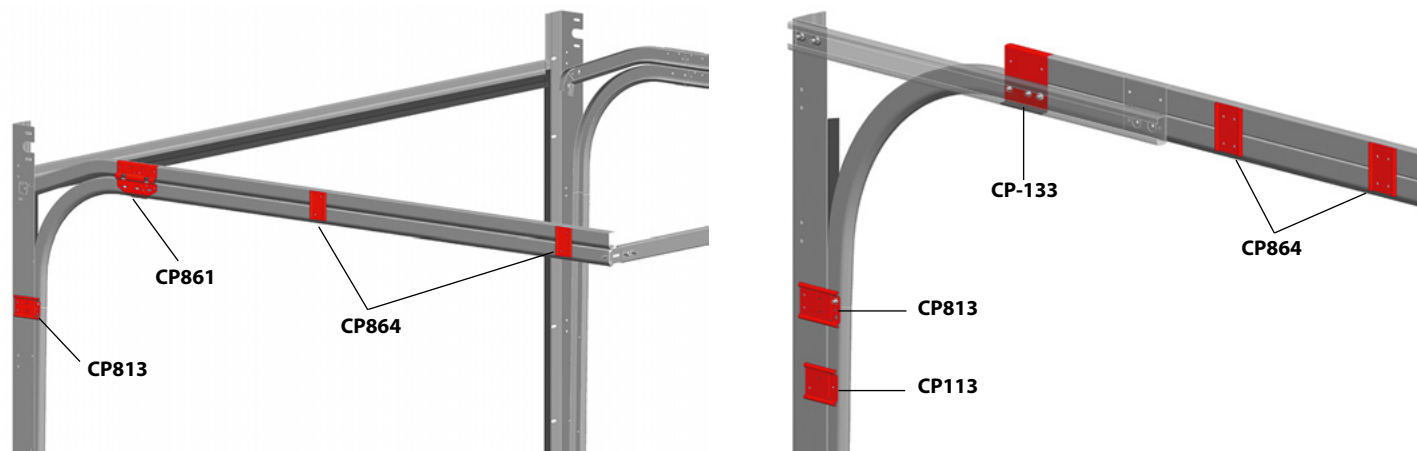
2

3

4

## КРОНШТЕЙНЫ И ПЛАСТИНЫ СОЕДИНИТЕЛЬНЫЕ

### УСТАНОВКА ПЛАСТИНЫ СОЕДИНИТЕЛЬНОЙ

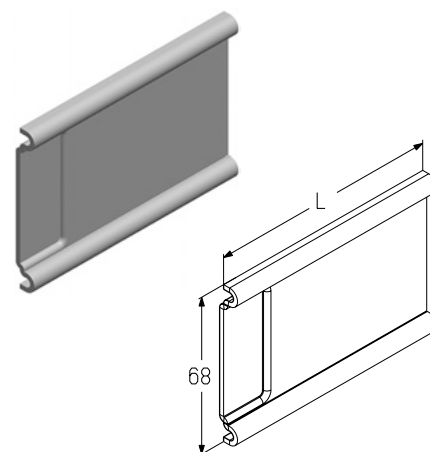


#### Пластина соединительная

Предназначена для соединения профиля углового с профилем направляющим (вертикальным).  
Используется в промышленных воротах всех типов монтажа.

Материал ..... оцинкованная сталь  
Единица измерения ..... шт.

Артикул	Код	Длина (L), мм	Вес, кг/шт.	Норма поставки, шт.
CP113-80	402810100	80	0,07	200
CP113-100	402810200	100	0,12	200
CP113-120	402810300	120	0,14	170
CP113-130	402810400	130	0,16	120
CP113-150	402810500	150	0,18	120
CP113-180	402810600	180	0,22	110

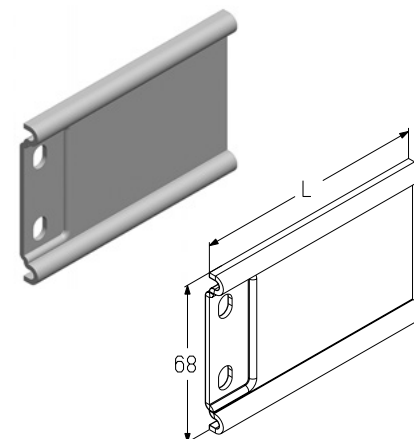


#### Пластина соединительная

Предназначена для соединения профиля углового с профилем направляющим (вертикальным).  
Используется в промышленных воротах всех типов монтажа.

Материал ..... оцинкованная сталь  
Единица измерения ..... шт.

Артикул	Код	Длина (L), мм	Вес, кг/шт.	Норма поставки, шт.
CP813-100	402810700	100	0,12	220
CP813-120	402810800	120	0,14	170
CP813-150	402810900	150	0,18	120
CP813-180	402811000	180	0,21	110



## КРОНШТЕЙНЫ И ПЛАСТИНЫ СОЕДИНИТЕЛЬНЫЕ

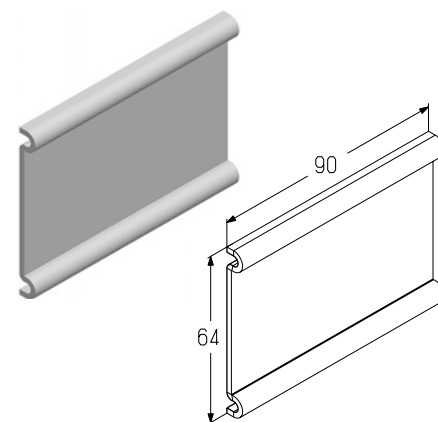
## УСТАНОВКА ПЛАСТИНЫ СОЕДИНИТЕЛЬНОЙ

**Пластина соединительная**

Предназначена для соединения горизонтальных направляющих.  
Используется в промышленных воротах всех типов монтажа.

Материал ..... оцинкованная сталь  
Вес, кг/шт. .... 0,112  
Единица измерения ..... шт.  
Норма поставки, шт. .... 170

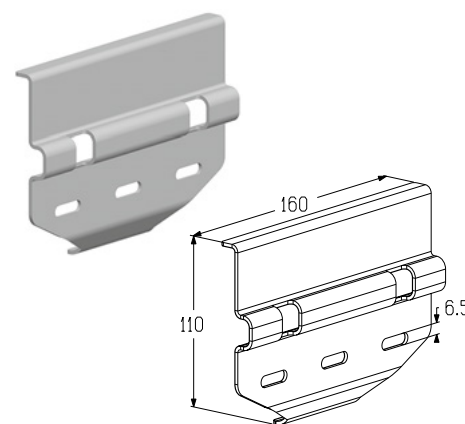
Артикул	Код
CP864	402811200

**Пластина соединительная передняя**

Предназначена для соединения горизонтальной направляющей с элементом радиусным и узлом направляющим передним.  
Используется в промышленных воротах низкого и наклонного низкого типов монтажа.

Толщина, мм ..... 2  
Материал ..... оцинкованная сталь  
Вес, кг/шт. .... 0,294  
Единица измерения ..... шт.  
Норма поставки, шт. .... 80

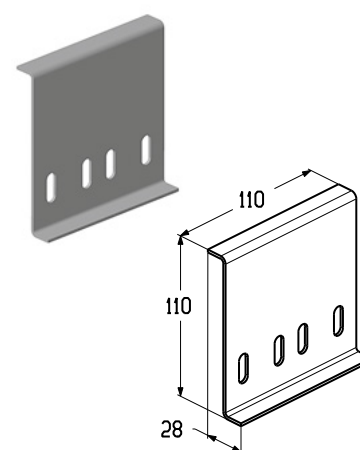
Артикул	Код
CP861	402811100

**Пластина соединительная передняя**

Предназначена для соединения горизонтальной направляющей с элементом радиусным и узлом направляющим передним.  
Используется в промышленных воротах всех типов монтажа (кроме низких).

Материал ..... оцинкованная сталь  
Вес, кг/шт. .... 0,215  
Единица измерения ..... шт.  
Норма поставки, шт. .... 100

Артикул	Код
CP-133	402811900



1.1

1.2

1.3

1.4

1.5

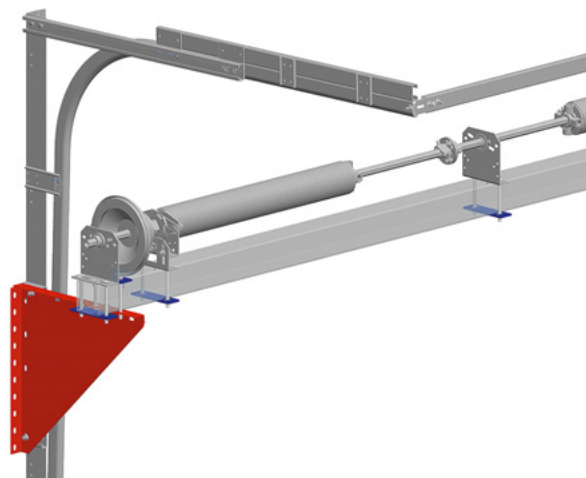
2

3

4

## КРОНШТЕЙНЫ И ПЛАСТИНЫ СОЕДИНИТЕЛЬНЫЕ

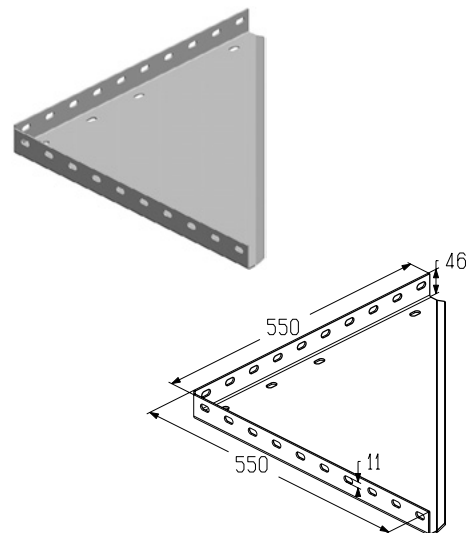
### УСТАНОВКА ПЛАСТИНЫ СОЕДИНИТЕЛЬНОЙ



#### Кронштейн

Предназначен для установки профиля несущего.  
Используется в промышленных воротах высокого, вертикального, наклонного высокого типов монтажа с нижним расположением вала.

Материал ..... оцинкованная сталь  
Вес, кг/шт. .... 4,818  
Единица измерения ..... шт.  
Норма поставки, шт. .... 4

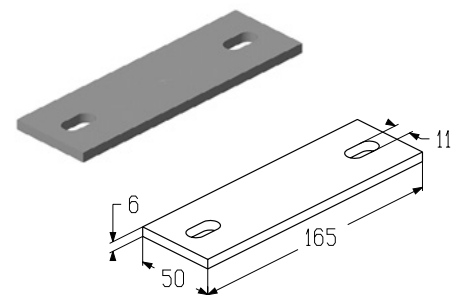


Артикул	Код
TP-550	402620000

#### Пластина

Предназначена для фиксации элементов торсионного вала.  
Используется в промышленных воротах высокого, вертикального, наклонного высокого типов монтажа с нижним расположением вала.

Материал ..... оцинкованная сталь  
Вес, кг/шт. .... 0,355  
Единица измерения ..... шт.  
Норма поставки, шт. .... 50



Артикул	Код
MS-550N	405000042

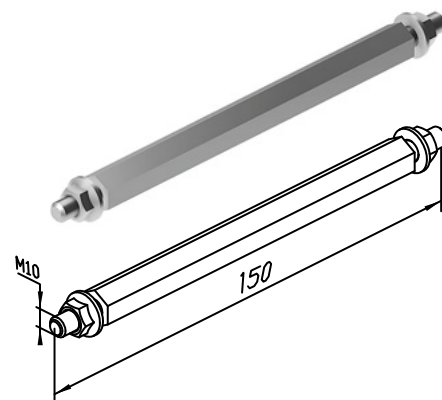
## КРОНШТЕЙНЫ И ПЛАСТИНЫ СОЕДИНИТЕЛЬНЫЕ

**Комплект крепежный**

Предназначена для фиксации элементов торсионного вала.  
Используется в промышленных воротах высокого, вертикального, наклонного высокого типов монтажа с нижним расположением вала с одновальным системой балансировки.

Материал ..... оцинкованная сталь  
Вес, кг/шт. .... 0,232  
Единица измерения ..... шт.  
Норма поставки, шт. .... 1

Артикул	Код
OSS4013	419410103



1.1

1.2

1.3

1.4

1.5

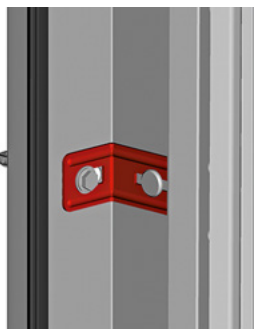
2

3

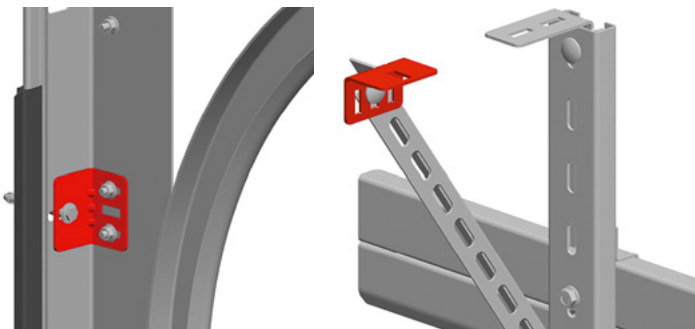
4

## КРОНШТЕЙНЫ И ПЛАСТИНЫ СОЕДИНИТЕЛЬНЫЕ

### УСТАНОВКА КРОНШТЕЙНА УГЛОВОГО



**Кронштейн угловой**

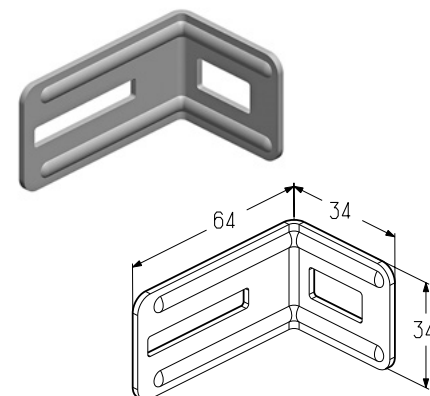


**Кронштейн**

#### Кронштейн угловой

Предназначен для крепления профиля углового (**PRG-30**) к стене.  
Используется в гаражных воротах с пружинами растяжения и торсионными пружинами всех типов монтажа.

Материал ..... оцинкованная сталь  
Вес, кг/шт. .... 0,048  
Единица измерения ..... шт.  
Норма поставки, шт. .... 500



Артикул	Код
B-3500	402630900

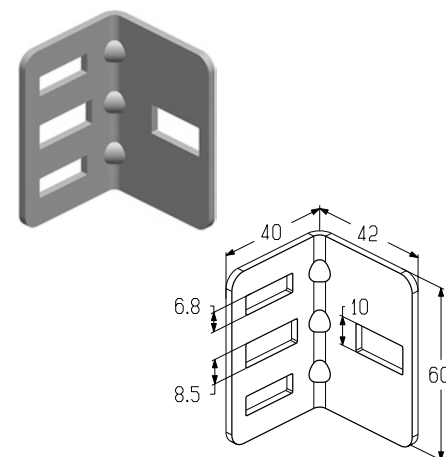
#### Кронштейн

Предназначен:

- для крепления профиля углового к стене;
- для крепления профиля монтажного (**PRG09**) и С-профиля (**PRG06**) к потолку.

Используется в промышленных воротах всех типов монтажа.

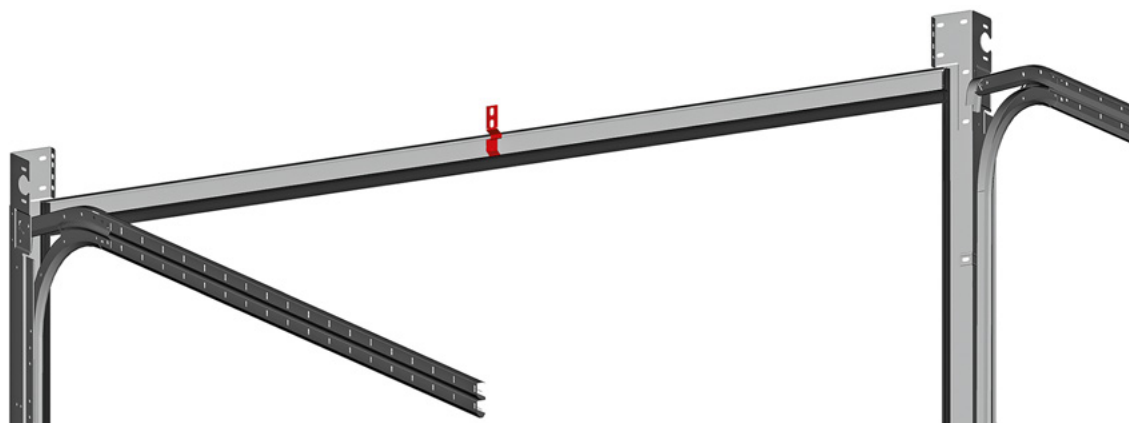
Материал ..... оцинкованная сталь  
Вес, кг/шт. .... 0,076  
Единица измерения ..... шт.  
Норма поставки, шт. .... 280



Артикул	Код
B0300	402600400

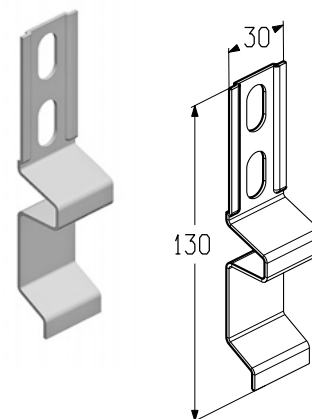


## КРОНШТЕЙНЫ И ПЛАСТИНЫ СОЕДИНИТЕЛЬНЫЕ

**Кронштейн профиля переднего**

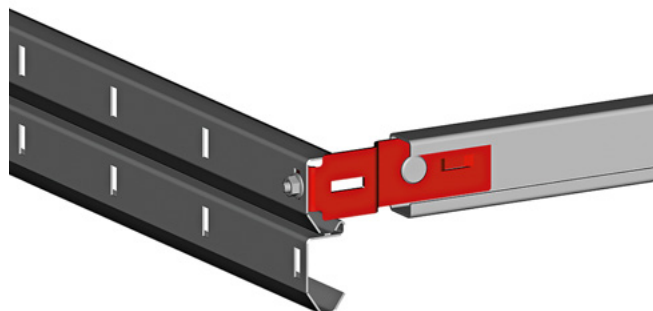
Предназначен для крепления профиля переднего (**PRG-35**) к стене.  
Используется в гаражных воротах с пружинами растяжения и торсионными пружинами стандартного и низкого типов монтажа.

Материал .....	оцинкованная сталь
Вес, кг/шт. ....	0,036
Единица измерения .....	шт.
Норма поставки, шт. ....	320

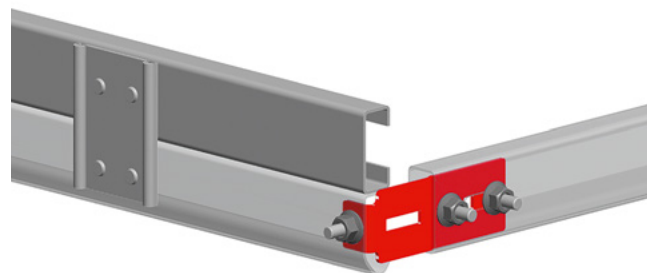


Артикул	Код
B-3509	402600900

## КРОНШТЕЙНЫ И ПЛАСТИНЫ СОЕДИНИТЕЛЬНЫЕ



Кронштейн мерной планки (B-3501)

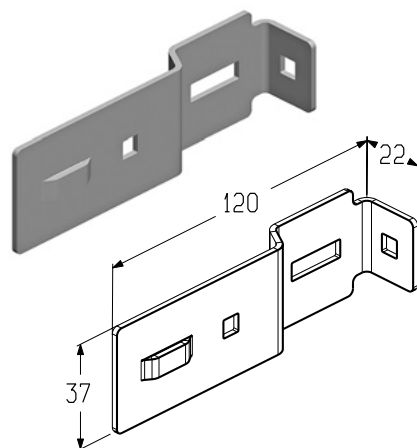


Кронштейн мерной планки (B802)

### Кронштейн мерной планки

Предназначен для соединения профиля направляющего (PRG-32) с С-профилем (PRG-33).  
Используется в гаражных воротах с пружинами растяжения и торсионными пружинами всех типов монтажа.

Материал .....	оцинкованная сталь
Вес, кг/шт. ....	0,073
Единица измерения .....	шт.
Норма поставки, шт. ....	200

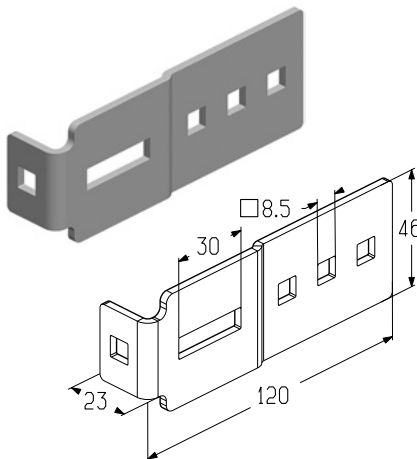


Артикул	Код
B-3501	402600700

### Кронштейн мерной планки

Предназначен для соединения профиля направляющего (горизонтального) с С-профилем (PRG07, PRG07N). Используется в промышленных воротах всех типов монтажа.

Материал .....	оцинкованная сталь
Вес, кг/шт. ....	0,102
Единица измерения .....	шт.
Норма поставки, шт. ....	220



Артикул	Код
B802	402620100

## КРОНШТЕЙНЫ И ПЛАСТИНЫ СОЕДИНИТЕЛЬНЫЕ



Пластина ограничительная  
(LP-3514)



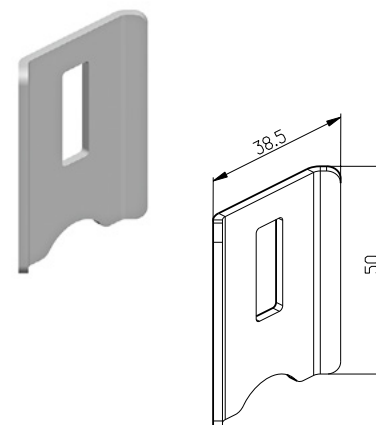
Пластина ограничительная  
(LP-3515)

## Пластина ограничительная

Предназначена для установки совместно с профилем угловым (PRG-30 L/R) и засовом (SB0100).  
Используется в гаражных воротах с пружинами растяжения и торсионными пружинами всех типов монтажа.

Материал .....	оцинкованная сталь
Вес, кг/шт. ....	0,038
Единица измерения .....	шт.
Норма поставки, шт. ....	200

Артикул	Код
LP-3514	401950100

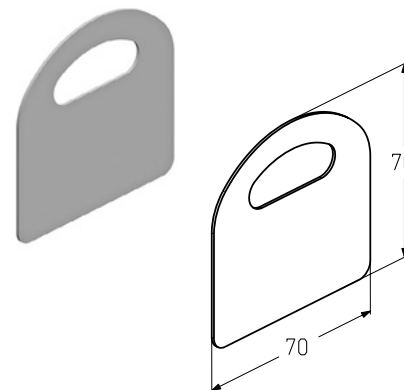


## Пластина ограничительная

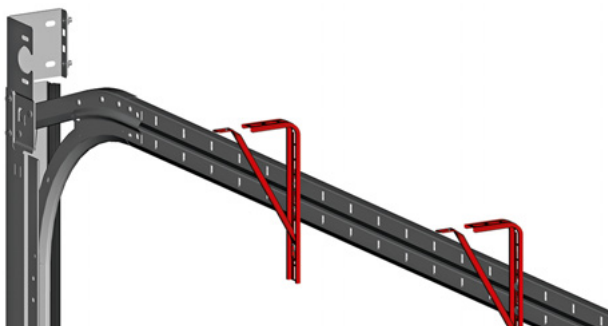
Предназначена для установки совместно с профилем угловым (PRG-30 L/R).  
Используется в гаражных воротах с пружинами растяжения и торсионными пружинами стандартного и низкого типов монтажа.

Материал .....	ABS
Вес, кг/шт. ....	0,004
Единица измерения .....	шт.
Норма поставки, шт. ....	2000

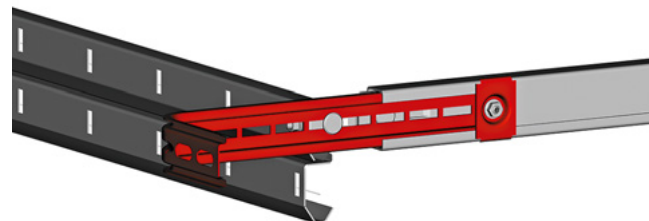
Артикул	Код
LP-3515	401950200



## КРОНШТЕЙНЫ И ПЛАСТИНЫ СОЕДИНИТЕЛЬНЫЕ



Крепление профиля направляющего  
(горизонтального)



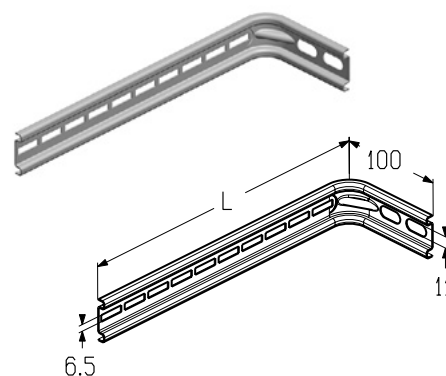
Крепление С-профиля  
(мерной планки)

### Подвес

Предназначен для изготовления системы подвеса горизонтальных направляющих.  
Используется в гаражных воротах с пружинами растяжения и торсионными пружинами всех типов монтажа.

Материал ..... оцинкованная сталь  
Единица измерения ..... шт.

Артикул	Код	Длина (L), мм	Вес, кг/шт.	Норма поставки, шт.
ТВ-191Т-300	402610900	300	0,20	100
ТВ-191Т-500	402611000	500	0,30	60
ТВ-191Т-800	402611100	800	0,46	40
ТВ-191Т-1000	402611200	1000	0,56	40

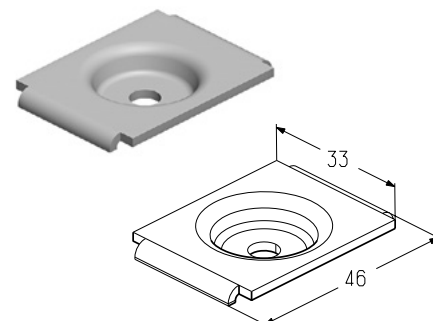


### Фиксатор раскоса

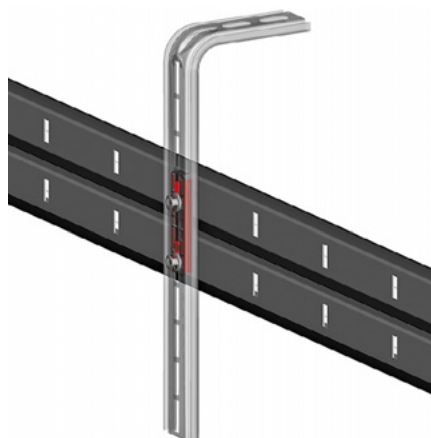
Предназначен для крепления подвеса (ТВ-191Т) к кронштейну мерной планки (В-3501).  
Используется в гаражных воротах с пружинами растяжения и торсионными пружинами всех типов монтажа.

Материал ..... оцинкованная сталь  
Вес, кг/шт. .... 0,02  
Единица измерения ..... шт.  
Норма поставки, шт. .... 600

Артикул	Код
ТВ-194Т	402611900

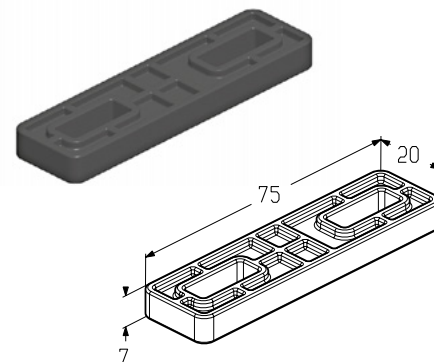


## СИСТЕМА ТЕЛЕСКОПИЧЕСКОГО ПОДВЕСА

**Фиксатор подвеса**

Предназначен для крепления подвеса (ТВ-191Т) к профилю направляющему (PRG-32).  
Используется в гаражных воротах с пружинами растяжения и торсионными пружинами всех типов монтажа.

Материал .....	полиамид
Вес, кг/шт. ....	0,007
Единица измерения .....	шт.
Норма поставки, шт. ....	1250



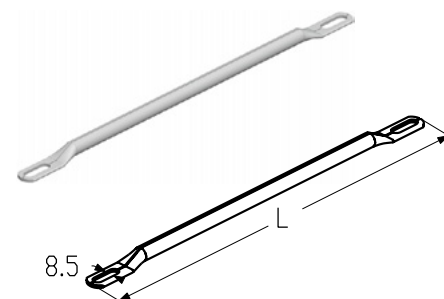
Артикул	Код
ТВ-192Т	402611300

**Раскос**

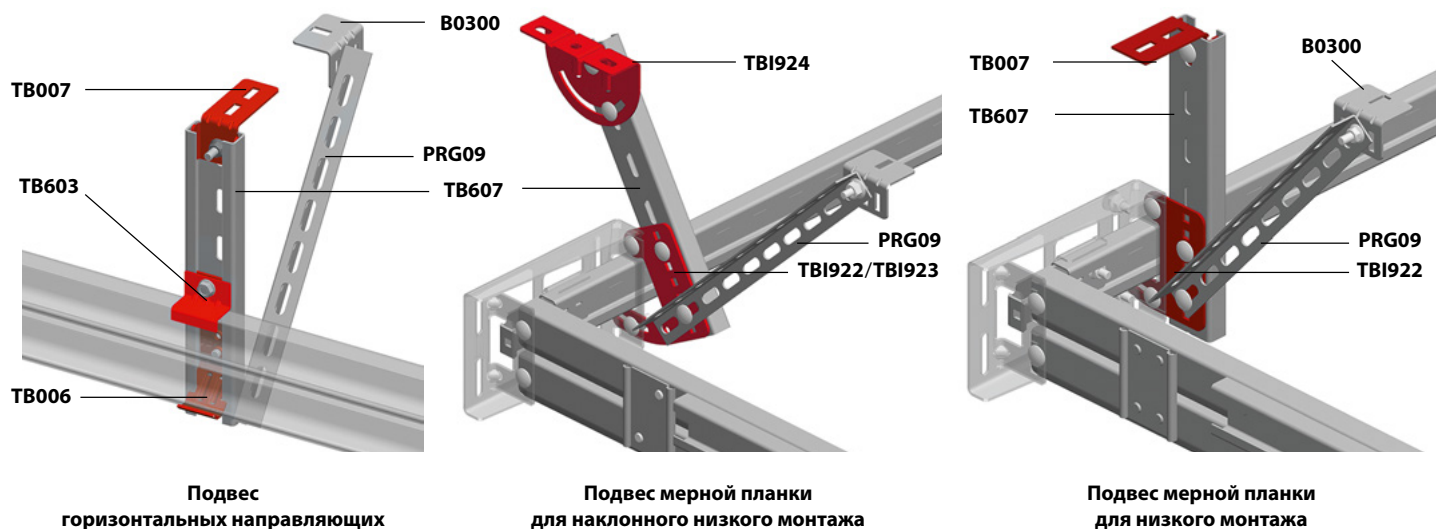
Предназначен для изготовления системы подвеса.  
Используется в гаражных воротах с пружинами растяжения и торсионными пружинами всех типов монтажа.

Материал .....	оцинкованная сталь
Единица измерения .....	шт.
Норма поставки, шт. ....	400

Артикул	Код	Длина (L), мм	Вес, кг/шт.
ТВ193S-330	402910600	330	0,08
ТВ193S-680	402910700	680	0,19
ТВ193S-910	402910800	910	0,26



## СИСТЕМА ТЕЛЕСКОПИЧЕСКОГО ПОДВЕСА



**Подвес горизонтальных направляющих**

**Подвес мерной планки для наклонного низкого монтажа**

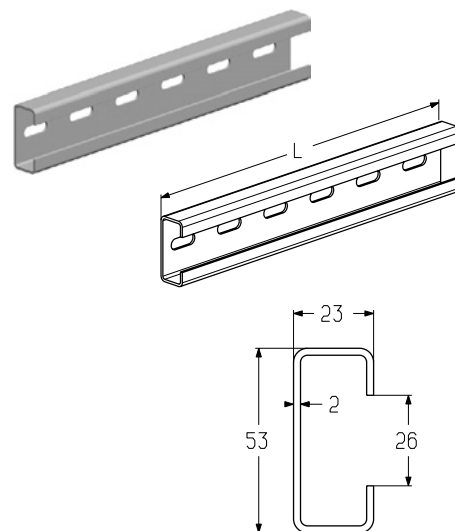
**Подвес мерной планки для низкого монтажа**

### Кронштейн подвеса

Предназначен для изготовления системы телескопического подвеса. Используется в промышленных воротах всех типов монтажа.

Материал ..... Оцинкованная сталь  
Единица измерения ..... шт.  
Норма поставки, шт. .... 100

Артикул	Код	Длина (L), мм	Вес, кг/шт.
ТВ607-300	402610000	300	0,48
ТВ607-500	402610100	500	0,80
ТВ607-800	402610200	800	1,28
ТВ607-1000	402610300	1000	1,60
ТВ607-1500	402610400	1500	2,40

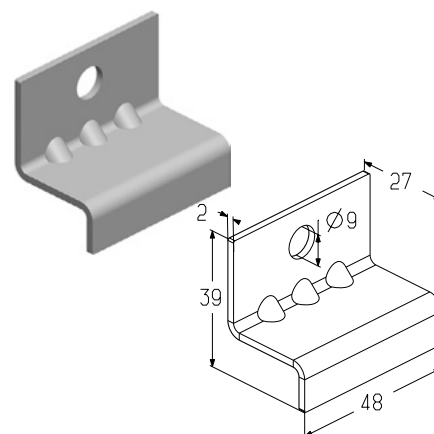


### Кронштейн монтажный

Предназначен для подвеса горизонтальных направляющих. Устанавливается совместно с кронштейном (ТВ006). Используется в промышленных воротах низкого и наклонного низкого типов монтажа.

Материал ..... Оцинкованная сталь  
Вес, кг/шт. .... 0,038  
Единица измерения ..... шт.  
Норма поставки, шт. .... 500

Артикул	Код
ТВ603	402620200



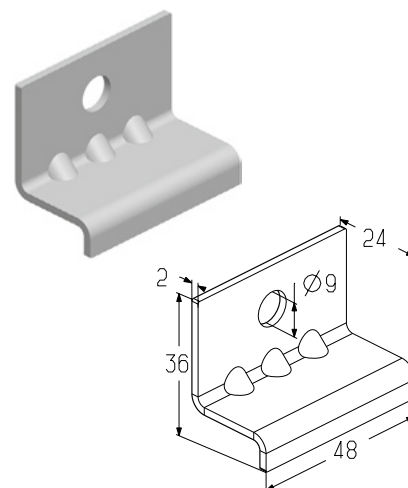
## СИСТЕМА ТЕЛЕСКОПИЧЕСКОГО ПОДВЕСА

## Кронштейн монтажный

Предназначен для подвеса горизонтальных направляющих. Устанавливается совместно с кронштейном (ТВ006) в промышленных воротах всех типов монтажа, кроме низкого и наклонного низкого.

Материал ..... оцинкованная сталь  
 Вес, кг/шт. .... 0,038  
 Единица измерения ..... шт.  
 Норма поставки, шт. .... 500

Артикул	Код
ТВ604	402620300

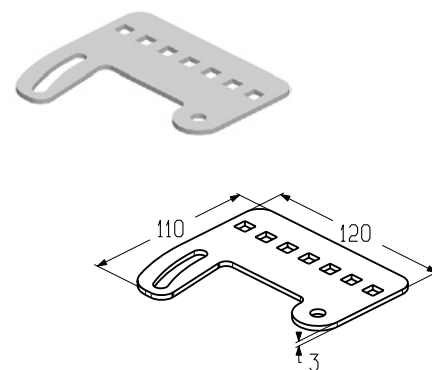


## Пластина

Предназначена для подвеса мерной планки. Устанавливается совместно с кронштейном (ТВ607). Используется в промышленных воротах низкого монтажа и наклонного низкого типа монтажа с наклоном горизонтальных направляющих до 20°.

Материал ..... оцинкованная сталь  
 Вес, кг/шт. .... 0,18  
 Единица измерения ..... шт.  
 Норма поставки, шт. .... 140

Артикул	Код
ТВ1922	403490300

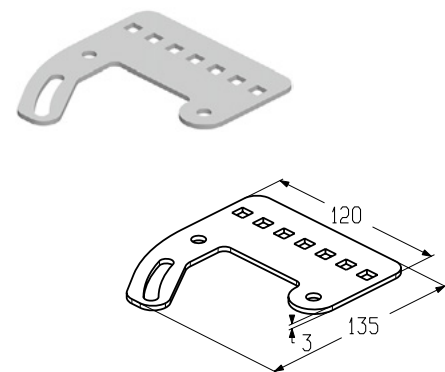


## Пластина

Предназначена для подвеса мерной планки. Устанавливается совместно с кронштейном (ТВ607). Используется в промышленных воротах наклонного низкого типа монтажа с наклоном горизонтальных направляющих 25—45°.

Материал ..... оцинкованная сталь  
 Вес, кг/шт. .... 0,20  
 Единица измерения ..... шт.  
 Норма поставки, шт. .... 45

Артикул	Код
ТВ1923	403490400



1.1

1.2

1.3

1.4

1.5

2

3

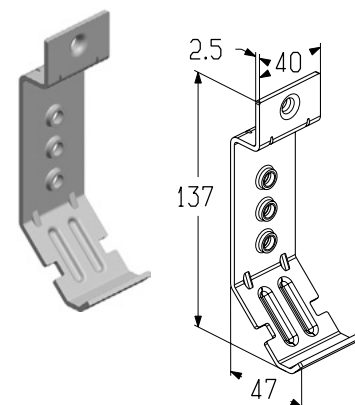
4

## СИСТЕМА ТЕЛЕСКОПИЧЕСКОГО ПОДВЕСА

### Кронштейн

Предназначен для подвеса горизонтальных направляющих. Устанавливается совместно с кронштейном монтажным (ТВ603) в промышленных воротах низкого и наклонного низкого типов монтажа. Устанавливается совместно с кронштейном монтажным (ТВ604) в промышленных воротах всех типов монтажа, кроме низкого и наклонного низкого.

Материал ..... оцинкованная сталь  
 Вес, кг/шт. .... 0,112  
 Единица измерения ..... шт.  
 Норма поставки, шт. .... 300

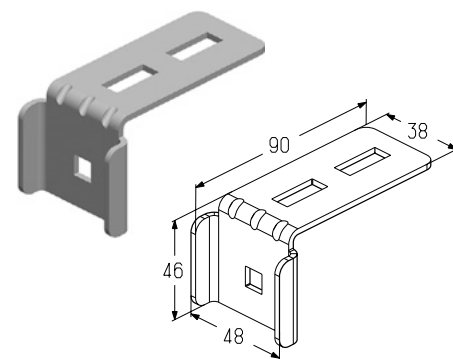


Артикул	Код
ТВ006	402610500

### Кронштейн угловой

Предназначен для крепления кронштейна подвеса (ТВ607) к потолку. Используется для подвеса горизонтальных направляющих в промышленных воротах всех типов монтажа.

Материал ..... оцинкованная сталь  
 Вес, кг/шт. .... 0,115  
 Единица измерения ..... шт.  
 Норма поставки, шт. .... 200

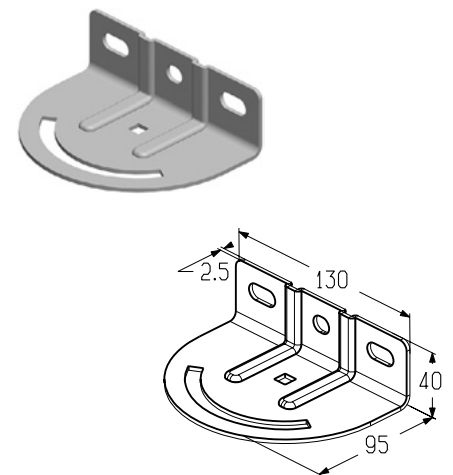


Артикул	Код
ТВ007	402630000

### Кронштейн

Предназначен для крепления кронштейна подвеса (ТВ607) к потолку. Используется для подвеса мерной планки промышленных ворот наклонного низкого типа монтажа.

Материал ..... оцинкованная сталь  
 Вес, кг/шт. .... 0,28  
 Единица измерения ..... шт.  
 Норма поставки, шт. .... 45



Артикул	Код
ТВ1924	403490500



## СИСТЕМА ТЕЛЕСКОПИЧЕСКОГО ПОДВЕСА

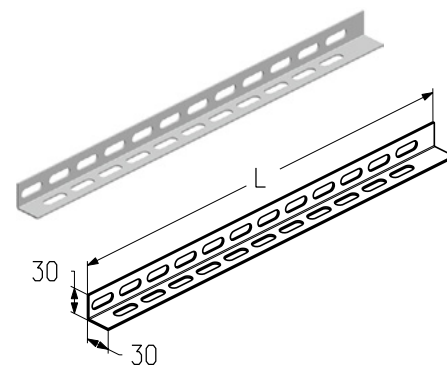
## Профиль монтажный

Предназначен для усиления телескопического подвеса. Устанавливается совместно с кронштейном подвеса (ТВ607-300, ТВ607-500, ТВ607-800, ТВ607-1000).

Используется промышленных воротах всех типов монтажа.

Материал ..... оцинкованная сталь  
Вес, кг/м ..... 0,614  
Единица измерения ..... м

Артикул	Код	Длина (L), мм	Норма поставки	
			м	шт.
PRG09	402410400	1160	92,8	80
		1480	118,4	
		1800	144,0	
		3000	240,0	



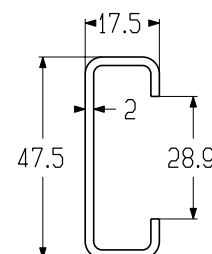
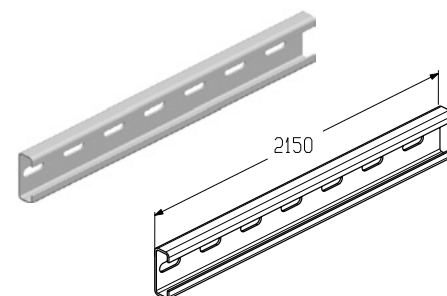
## С-профиль

Перфорированный, предназначен для усиления телескопического подвеса. Устанавливается совместно с кронштейном подвеса (ТВ607-1500).

Используется промышленных воротах всех типов монтажа.

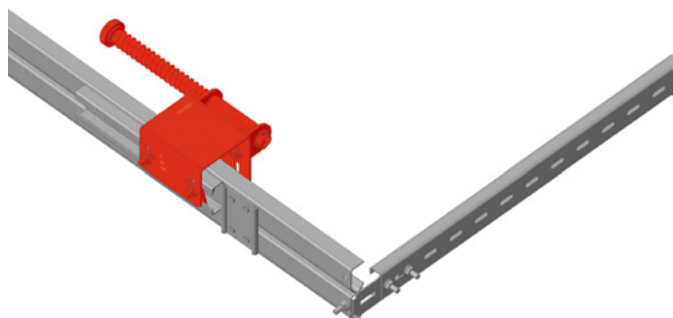
Длина, мм ..... 2150  
Материал ..... оцинкованная сталь  
Вес, кг/м ..... 1,38  
Единица измерения ..... м  
Норма поставки, м ..... 107,5

Артикул	Код
PRG06	402421700

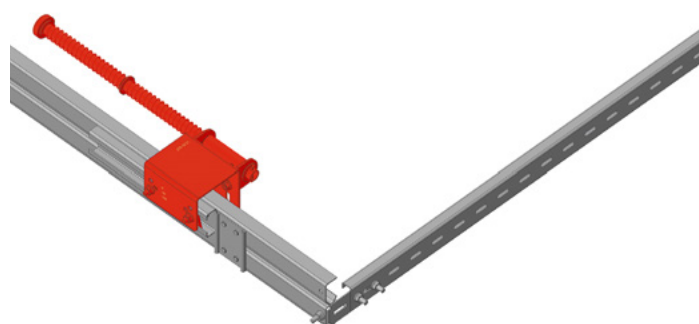


## ДЕМПФЕР

### УСТАНОВКА ДЕМПФЕРА



Установка демпфера  
SB-235K



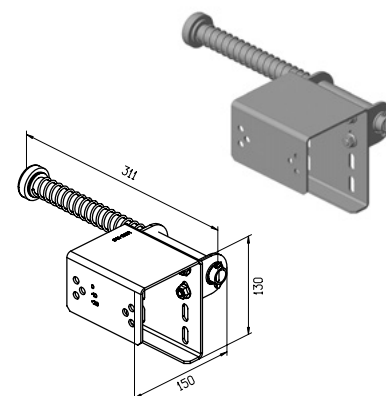
Установка демпфера  
SB-485K

### Демпфер

Предназначен для ограничения перемещения полотна гаражных и промышленных ворот.  
Используется в воротах:

- без электропривода (цепного редуктора) стандартного типа монтажа;
- с навальным электроприводом (цепным редуктором) наклонного низкого типа монтажа;
- высокого, вертикального, наклонного высокого типов монтажа с верхним и нижним расположением вала; наклонного типа монтажа (для всех типов управления ворот);
- без электропривода или цепного редуктора низкого и наклонного низкого типов монтажа;
- в гаражных воротах высокого типа монтажа.

Длина, мм	235
Материал	оцинкованная сталь
Вес, кг/шт.	1,15
Единица измерения	шт.
Норма поставки, шт.	60

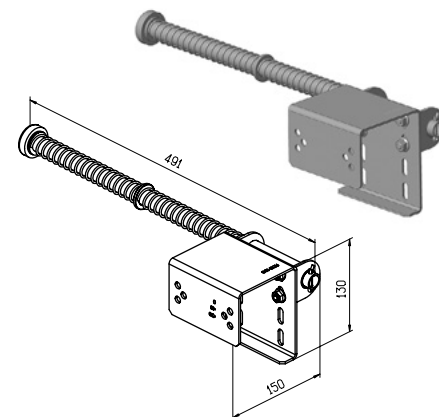


Артикул	Код
SB-235K	418700467

### Демпфер

Предназначен для ограничения перемещения полотна промышленных ворот.  
Используется в промышленных воротах с навальным электроприводом и цепным редуктором стандартного и низкого типов монтажа.

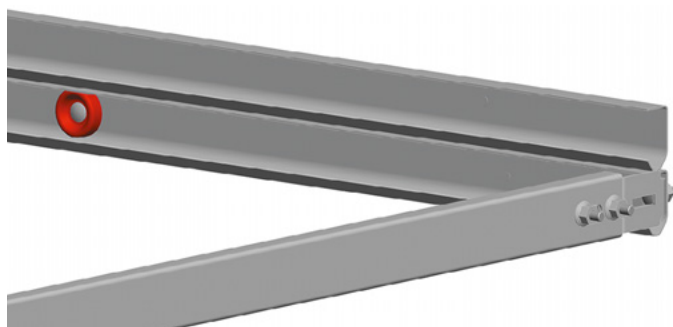
Длина, мм	485
Материал	оцинкованная сталь
Вес, кг/шт.	1,5
Единица измерения	шт.
Норма поставки, шт.	30



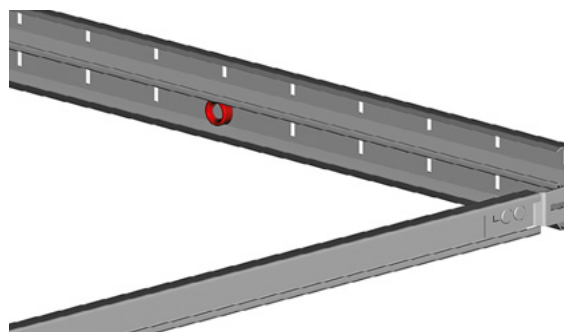
Артикул	Код
SB-485K	418700469

## ОГРАНИЧИТЕЛИ ХОДА ПОЛОТНА

## УСТАНОВКА ОГРАНИЧИТЕЛЯ



Ограничитель



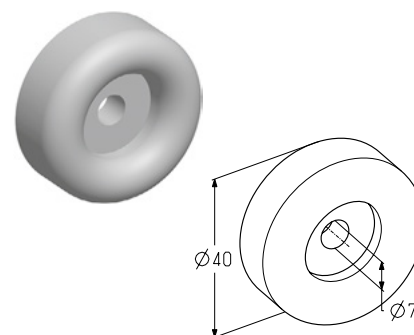
Демпфер

## Ограничитель

Предназначен для ограничения перемещения полотна промышленных ворот.  
Используется в промышленных воротах низкого и наклонного низкого типов монтажа с ручным управлением или с реечным электроприводом.

Материал .....	TPE
Вес, кг/шт. ....	0,03
Единица измерения .....	шт.
Норма поставки, шт. ....	200

Артикул	Код
RS0301	402910200

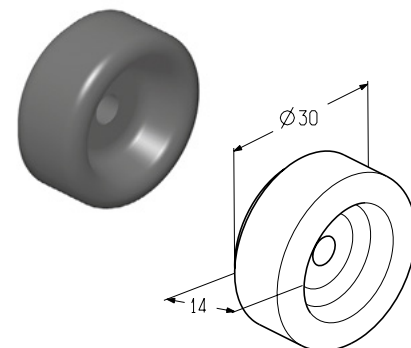


## Демпфер

Предназначен для ограничения перемещения полотна гаражных ворот с пружинами растяжения или торсионными пружинами всех типов монтажа с автоматическим управлением.

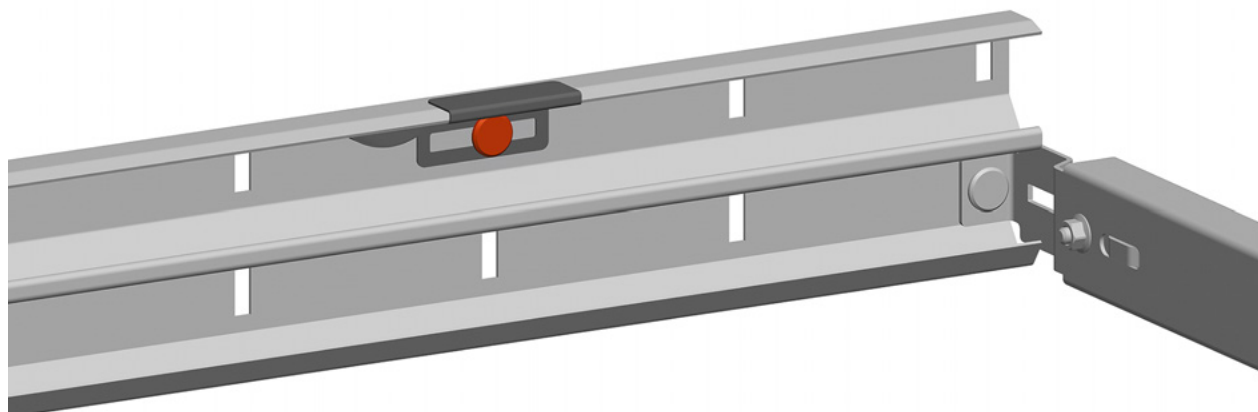
Материал .....	EPDM
Вес, кг/шт. ....	0,012
Единица измерения .....	шт.
Норма поставки, шт. ....	1800

Артикул	Код
RS-3516	402911600



## ОГРАНИЧИТЕЛИ ХОДА ПОЛОТНА

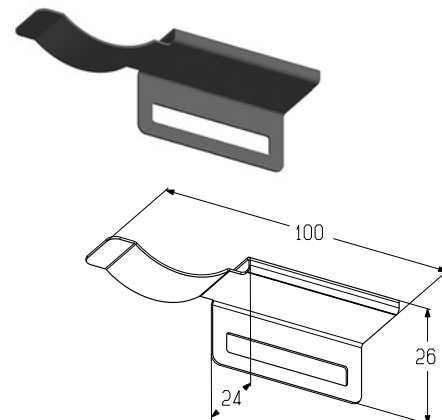
### УСТАНОВКА ФИКСАТОРА



#### Фиксатор

Предназначен для ограничения перемещения полотна гаражных ворот.  
Используется в гаражных воротах с пружинами растяжения и торсионными пружинами всех типов монтажа с ручным управлением.

Материал ..... пружинная сталь  
Вес, кг/шт. .... 0,05  
Единица измерения ..... шт.  
Норма поставки, шт. .... 800



Артикул	Код
LHT-3005	418700055

# 1.5

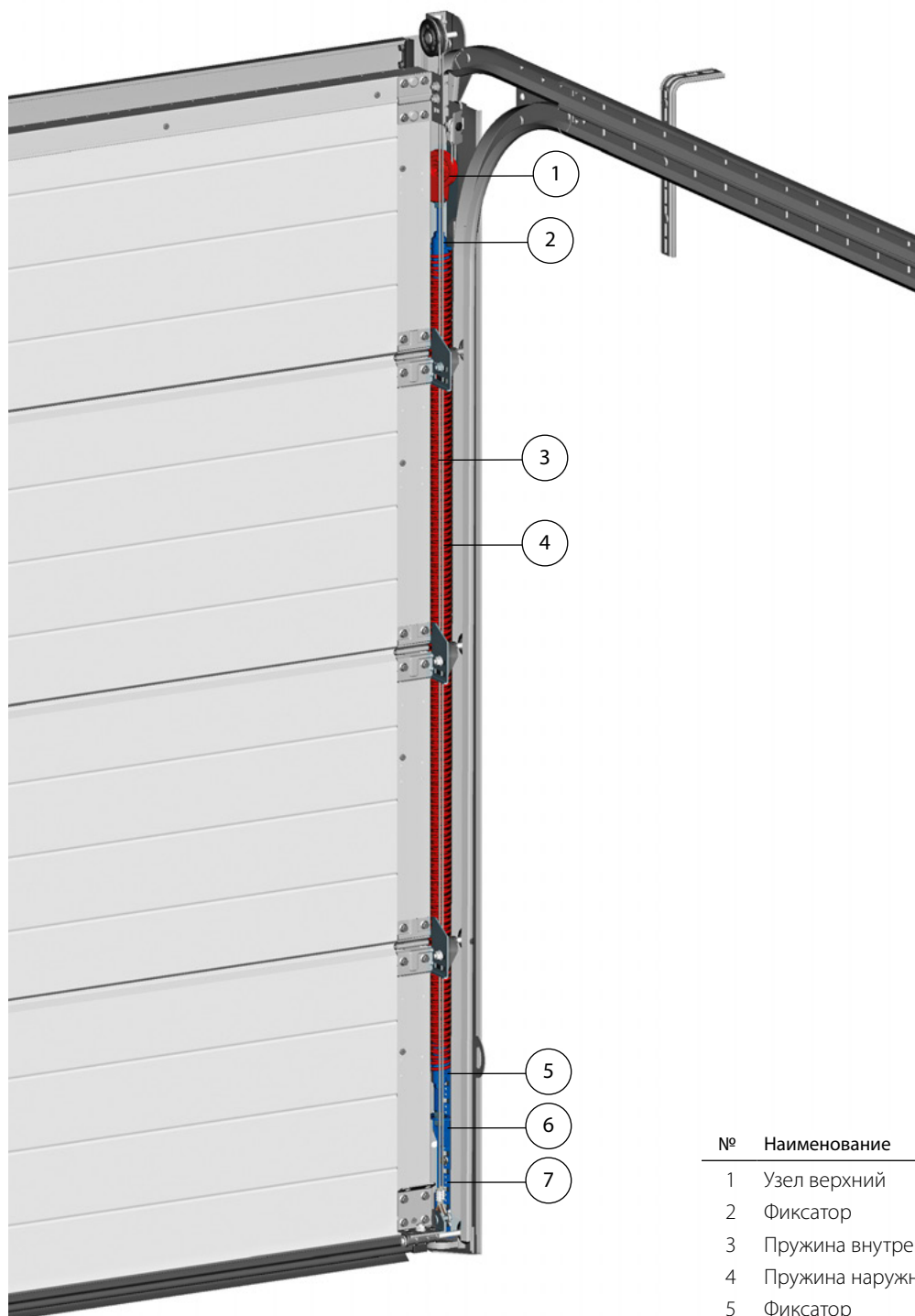
Система балансировки

---



## ГАРАЖНЫЕ ВОРОТА СЕРИИ TREND

## ПРУЖИНЫ РАСТЯЖЕНИЯ



## № Наименование

- |   |                    |
|---|--------------------|
| 1 | Узел верхний       |
| 2 | Фиксатор           |
| 3 | Пружина внутренняя |
| 4 | Пружина наружная   |
| 5 | Фиксатор           |
| 6 | Кронштейн          |
| 7 | Пластина           |

1.1

1.2

1.3

1.4

1.5

2

3

4

## УЗЕЛ ВЕРХНИЙ И ПЛАСТИНА

### УСТАНОВКА УЗЛА ВЕРХНЕГО И ПЛАСТИНЫ

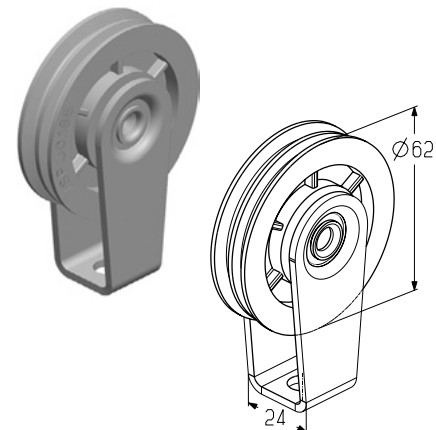
#### Узел верхний

Предназначен для:

- установки троса;
- крепления фиксатора (**SH220S**).

Используется в гаражных воротах с пружинами растяжения.

Материал ..... оцинкованная сталь  
 Вес, кг/шт. .... 0,135  
 Единица измерения ..... шт.  
 Норма поставки, шт. .... 100



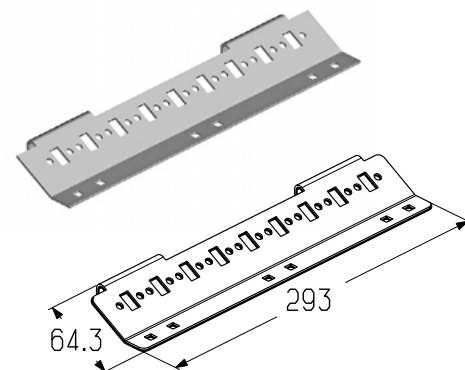
Артикул	Код
US230S	402300400

#### Пластина

Предназначена для регулировки натяжения пружин совместно с кронштейном (**SB212S**).

Используется в гаражных воротах с пружинами растяжения.

Материал ..... оцинкованная сталь  
 Вес, кг/шт. .... 0,293  
 Единица измерения ..... шт.  
 Норма поставки, шт. .... 50

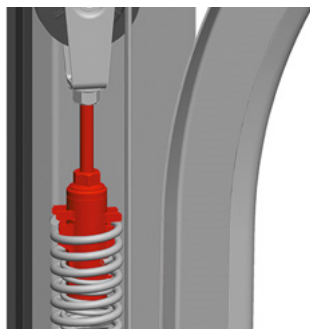


Артикул	Код
SP-230T	402812600

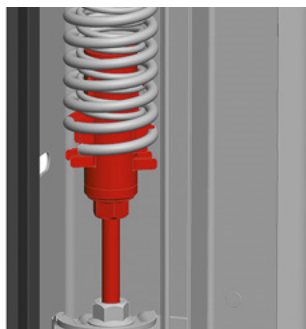


## ФИКСАТОР И КРОНШТЕЙН

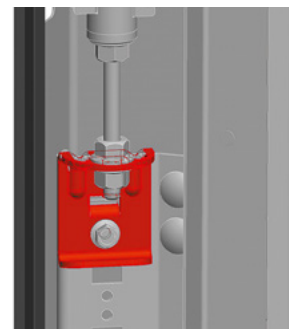
## УСТАНОВКА ФИКСАТОРА И КРОНШТЕЙНА



Фиксатор SH220S



Кронштейн SB212S

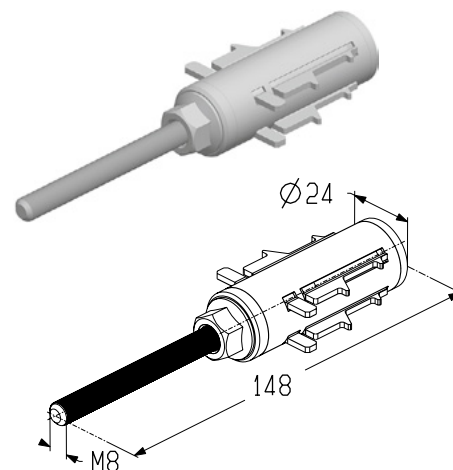


## Фиксатор

Предназначен для крепления пружин.  
Используется в гаражных воротах с пружинами растяжения.

Материал ..... оцинкованная сталь  
Вес, кг/шт. .... 0,207  
Единица измерения ..... шт.  
Норма поставки, шт. .... 60

Артикул	Код
SH221S	402911100

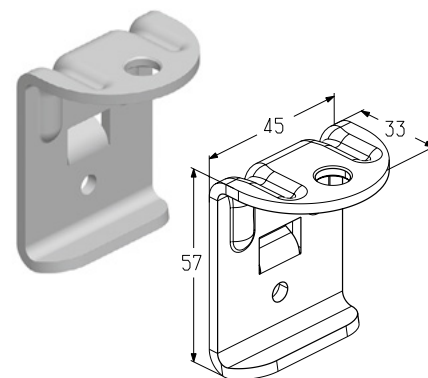


## Кронштейн

Предназначен для регулировки натяжения пружин совместно с пластиной (SP-230T).  
Используется в гаражных воротах с пружинами растяжения.

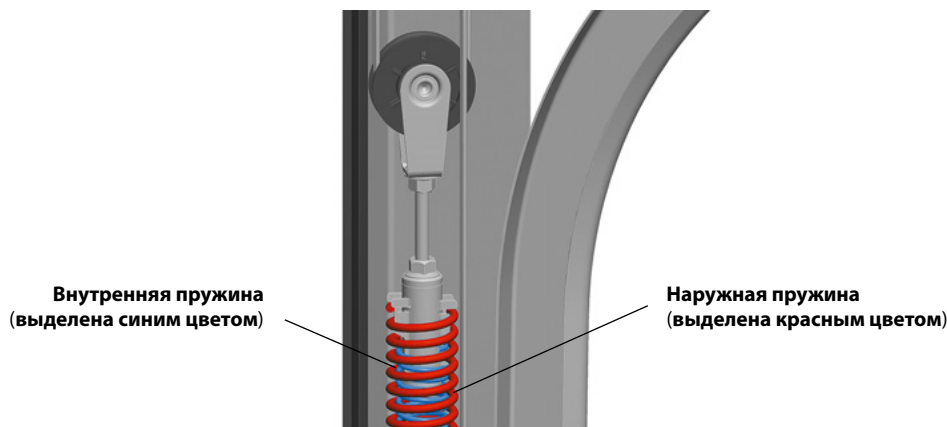
Материал ..... оцинкованная сталь  
Вес, кг/шт. .... 0,930  
Единица измерения ..... шт.  
Норма поставки, шт. .... 200

Артикул	Код
SB212S	402600600



## ПРУЖИНЫ

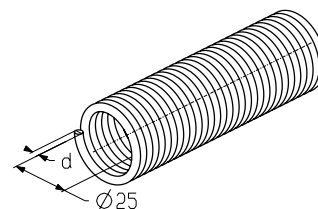
### УСТАНОВКА ВНУТРЕННЕЙ И НАРУЖНОЙ ПРУЖИН



#### Пружина (внутренняя)\*

Предназначена для балансировки полотна гаражных ворот с пружинами растяжения.

Внутренний диаметр, мм ..... 25  
 Длина, мм ..... 1500  
 Материал ..... оцинкованная сталь  
 Единица измерения ..... м

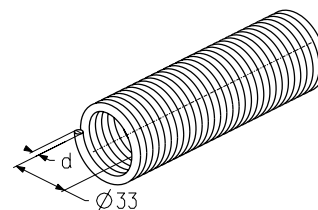


Артикул	Код	Диаметр (d), мм	Вес, кг/м	Норма поставки	
				м	шт.
TN26×25VT×2500R	411800302	2,6	1,390	625	250
TN28×25BR×2500R	411800332	2,8	1,508	2000	800
TN30×25WH×1500R	403322500	3,0	1,627	1200	800
TN32×25YL×1020R	411800336	3,2	1,748	816	800
TN32×25YL×1280R	411800337	3,2	1,748	1024	800
TN34×25RD×1550R	411800304	3,4	1,870	1240	800

#### Пружина (наружная)\*

Предназначена для балансировки полотна гаражных ворот с пружинами растяжения.

Внутренний диаметр, мм ..... 33  
 Длина, мм ..... 1500  
 Материал ..... оцинкованная сталь  
 Единица измерения ..... м



Артикул	Код	Диаметр (d), мм	Вес, кг/м	Норма поставки	
				м	шт.
TN30×33WH×2000R	403332600	3,0	2,092	300	150
TN32×33GR×1100R	411800338	3,2	2,244	550	500
TN34×33BL×850R	411800339	3,4	2,397	425	500
TN36×33OR×960R	411800340	3,6	2,552	480	500
TN36×33OR×1060R	411800341	3,6	2,552	530	500
TN38×33PN×1000R	403331000	3,8	2,709	500	500
TN38×33PN×1220R	411800342	3,8	2,709	610	500
TN40×33GN×1260R	411800343	4,0	2,867	630	500
TN42×33BK×1260R	411800344	4,2	3,026	630	500

\* Ввиду постоянного совершенствования конструкции возможно изменение параметров пружин. Актуальные артикулы следует уточнять при заказе комплектации.

**КОЖУХ**

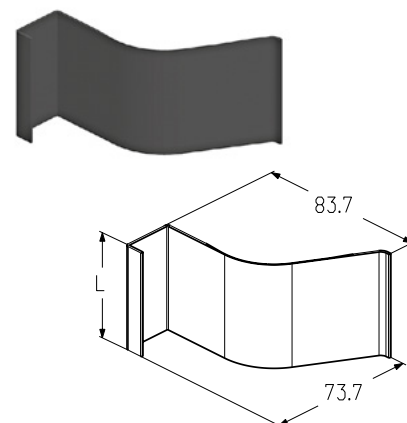
## УСТАНОВКА КОЖУХА

**Кожух**

Предназначен для защиты от защемления пальцев. Устанавливается совместно с пружинным механизмом.

Используется в гаражных воротах с пружинами растяжения.

Материал .....	RPVC
Длина, м .....	2,5
Вес, кг/м .....	0,29
Единица измерения .....	м
Норма поставки, м .....	25



Артикул	Код
РС-4506	402911400

1.1

1.2

1.3

1.4

1.5

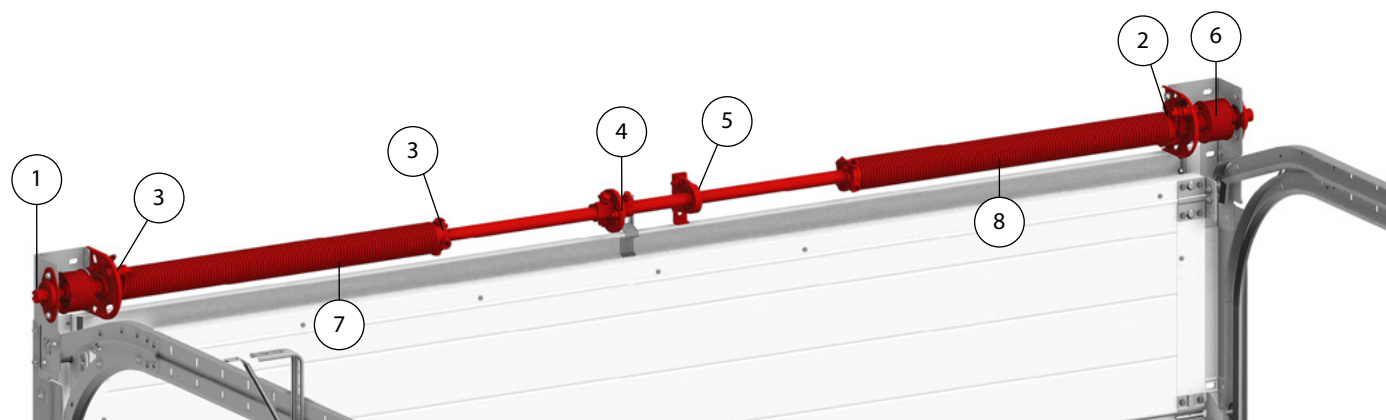
2

3

4

## ТИПОВАЯ КОНСТРУКЦИЯ ТОРСИОННОГО ВАЛА В СБОРЕ

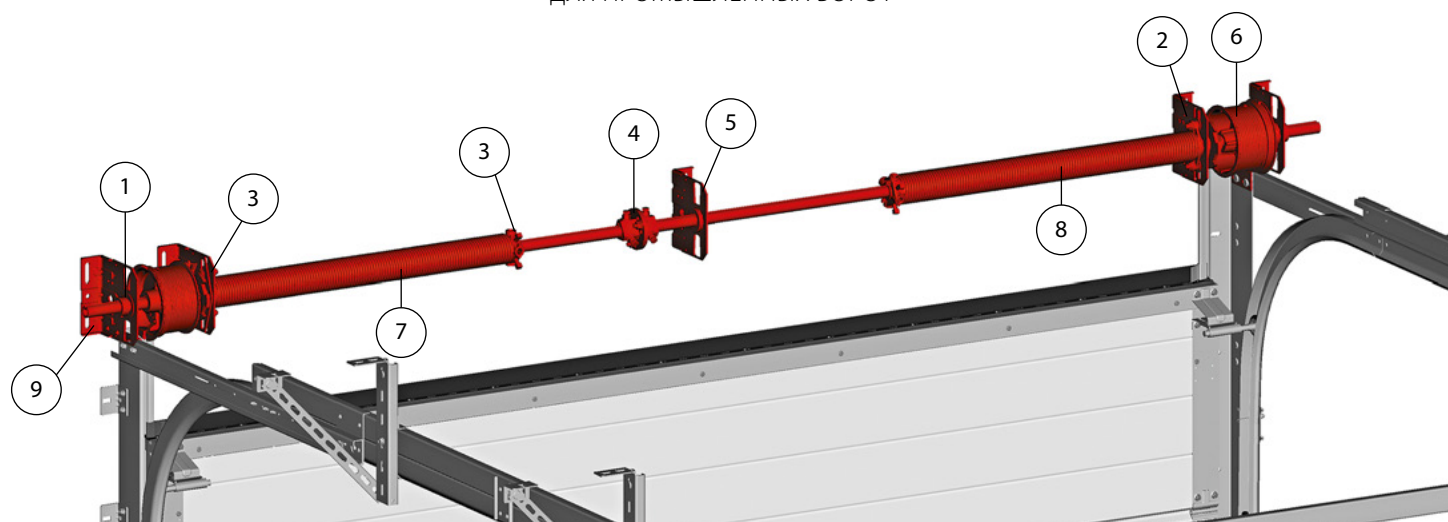
ДЛЯ ГАРАЖНЫХ ВОРОТ



№	Наименование
1	Кольцо стопорное
2	Муфта храповая предохранительная
3	Наконечники пружинные
4	Муфта соединительная

№	Наименование
5	Кронштейн промежуточный
6	Барабан
7	Пружина с левой навивкой
8	Пружина с правой навивкой

ДЛЯ ПРОМЫШЛЕННЫХ ВОРОТ



№	Наименование
1	Кольцо стопорное
2	Муфта храповая предохранительная
3	Наконечники пружинные
4	Муфта соединительная
5	Кронштейн промежуточный

№	Наименование
6	Барабан
7	Пружина с левой навивкой
8	Пружина с правой навивкой
9	Кронштейн боковой

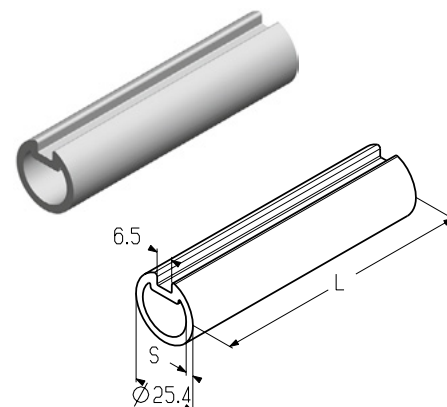
## ВАЛЫ И МУФТЫ СОЕДИНИТЕЛЬНЫЕ

**Вал**

Применяется при массе полотна ворот менее 160 кг.  
Используется для гаражных и промышленных ворот всех типов монтажа с торсионными пружинами.

Диаметр вала, мм ..... 25,4  
Материал ..... оцинкованная сталь  
Толщина стенки (S), мм ..... 2 мм  
Единица измерения ..... м

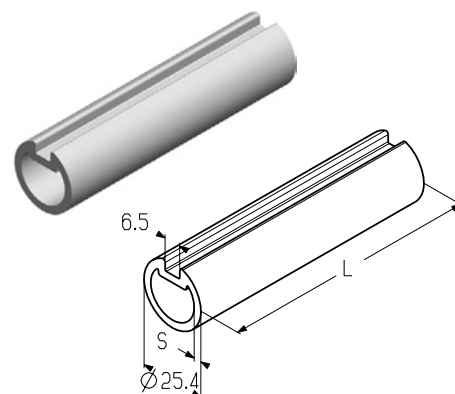
Артикул	Код	Длина (L), мм	Вес, кг/м	Норма поставки	
				м	шт.
TSH-4500-2	403221000	4500	1,20	225	50
TSH-5500-2	403221100	5500	1,20	275	

**Вал**

Применяется при массе полотна ворот от 160 до 230 кг.  
Используется для гаражных и промышленных ворот всех типов монтажа с торсионными пружинами.

Диаметр вала, мм ..... 25,4  
Материал ..... оцинкованная сталь  
Толщина стенки (S), мм ..... 3 мм  
Единица измерения ..... м

Артикул	Код	Длина (L), мм	Вес, кг/м	Норма поставки	
				м	шт.
TSH-4500	403220100	4500	1,75	225	50
TSH-5500	403220200	5500	2,13	275	

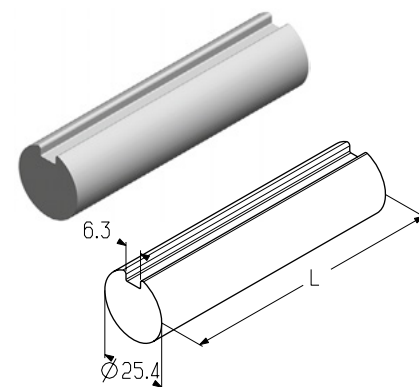
**Вал**

Применяется:

- при массе полотна от 230 до 350 кг для гаражных ворот с торсионными пружинами всех типов монтажа;
- при массе полотна от 230 до 300 кг для промышленных ворот высокого с нижним расположением вала, вертикального с нижним расположением вала, наклонного высокого с нижним расположением вала;
- при массе полотна от 230 до 350 кг для промышленных ворот иных типов монтажа;
- для промышленных ворот всех типов монтажа в случае использования дуплексных пружин.

Диаметр вала, мм ..... 25,4  
Материал ..... оцинкованная сталь  
Единица измерения ..... м

Артикул	Код	Длина (L), мм	Вес, кг/м	Норма поставки	
				м	шт.
TSS-5000	403220300	5000	3,75	125,0	25
TSS-5500	403220400	5500	3,80	137,5	



## ВАЛЫ И МУФТЫ СОЕДИНИТЕЛЬНЫЕ

### Вал

Применяется:

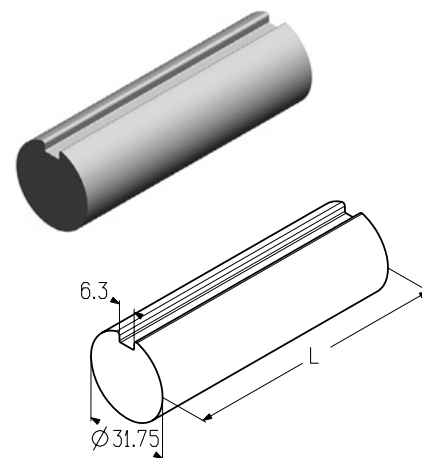
- при массе полотна от 300 кг для промышленных ворот высокого с нижним расположением вала, вертикального с нижним расположением вала, наклонного высокого с нижним расположением вала;
- при массе полотна от 350 кг для промышленных ворот иных типов монтажа.

Диаметр вала, мм ..... 31,75

Материал ..... оцинкованная сталь

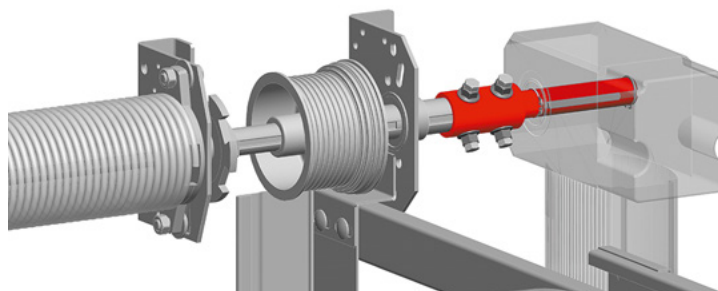
Единица измерения ..... м

Артикул	Код	Длина (L), мм	Вес, кг/м	Норма поставки	
				м	шт.
TSS-5/4-4000	412950699	4000	6	100	25
TSS-5/4-5800	403230100	5800	6	145	



## ВАЛЫ И МУФТЫ СОЕДИНИТЕЛЬНЫЕ

## УСТАНОВКА АДАПТЕРА ВАЛА

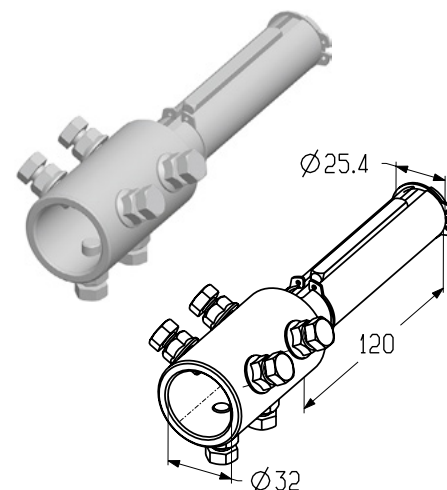


## Адаптер

Предназначен для установки навальных электроприводов и цепного редуктора на вал диаметром 31,75 мм. Используется в промышленных воротах всех типов монтажа.

Материал ..... оцинкованная сталь  
 Вес, кг/шт. .... 0,944  
 Единица измерения ..... шт.  
 Норма поставки, шт. .... 10

Артикул	Код
SA-5/4	403720000

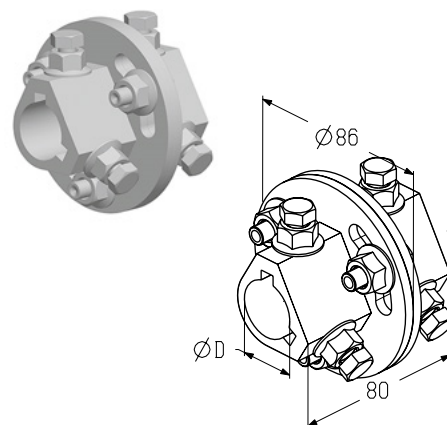


## Муфта соединительная АС-1

Предназначена для сборки торсионного вала.  
 Используется в гаражных воротах стандартного, низкого и высокого типов монтажа и промышленных воротах всех типов монтажа.

Материал ..... оцинкованная сталь  
 Единица измерения ..... шт.  
 Норма поставки, шт. .... 100

Артикул	Код	Диаметр вала (d), мм	Вес, кг/шт.
АС-1	403710000	25,4	0,73

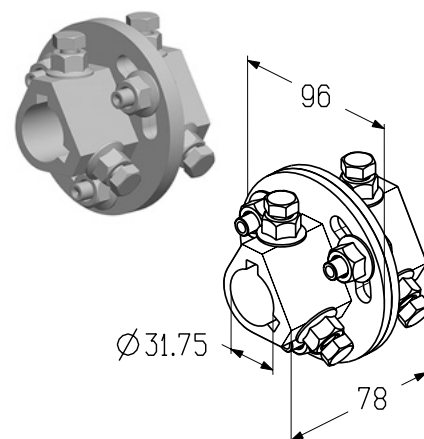


### Муфта соединительная АС-5/4

Предназначена для сборки торсионного вала.  
Используется в гаражных воротах стандартного, низкого и высокого типов монтажа  
и промышленных воротах всех типов монтажа.

Материал ..... оцинкованная сталь  
Единица измерения ..... шт.  
Норма поставки, шт. .... 14

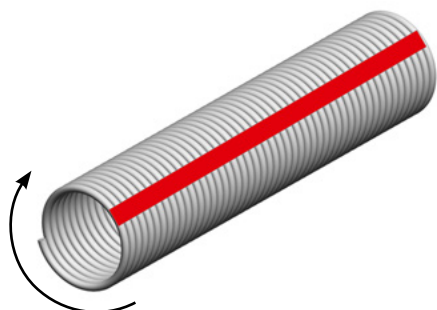
Артикул	Код	Диаметр вала (d), мм	Вес, кг/шт.
АС-5/4	403710100	31,8	0,70



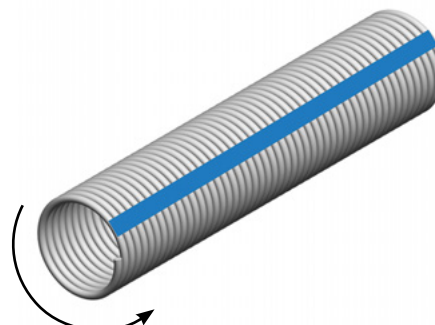


## ПРУЖИНЫ И НАКОНЕЧНИКИ ПРУЖИННЫЕ

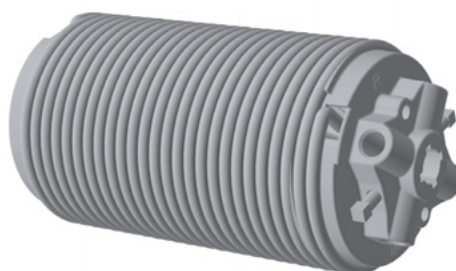
ПРУЖИНА С ЛЕВОЙ НАВИВКОЙ — L  
(маркируется красным цветом)



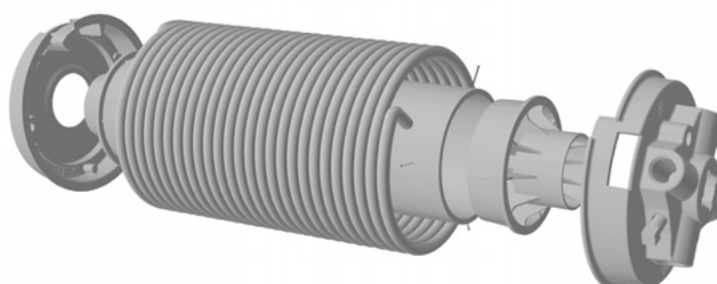
ПРУЖИНА С ПРАВОЙ НАВИВКОЙ — R  
(маркируется любым другим цветом)



СХЕМАТИЧЕСКОЕ ИЗОБРАЖЕНИЕ ПРУЖИНЫ 95 ММ  
С НАКОНЕЧНИКАМИ ПРУЖИННЫМИ



СХЕМАТИЧЕСКОЕ ИЗОБРАЖЕНИЕ ПРУЖИНЫ 152 ММ  
С НАКОНЕЧНИКАМИ ПРУЖИННЫМИ



1.1

1.2

1.3

1.4

1.5

2

3

4

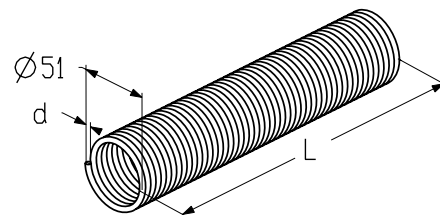
## ПРУЖИНЫ И НАКОНЕЧНИКИ ПРУЖИННЫЕ

### Пружина\*

Используется:

- в гаражных воротах с торсионными пружинами всех типов монтажа;
- в промышленных воротах всех типов монтажа.

Внутренний диаметр, мм ..... 51  
 Диаметр вала, мм ..... 25,4  
 Материал ..... стальная проволока  
 Покрытие ..... полимерное  
 Цвет\*\* ..... RAL 9006  
 Единица измерения ..... м



Артикул	Код	Диаметр (d), мм	Длина (L), мм	Вес нетто, кг/м	Норма поставки	
					м	шт.
TSA42,5×51×1000R	403803100	4,25	1000	4,53	220	220
TSA42,5×51×1000L	403803200	4,25	1000	4,53	220	220
TSA45×51×1100R	403380200	4,50	1100	4,82	242	220
TSA45×51×1100L	403380300	4,50	1100	4,82	242	220
TSA47,5×51×1250R	403380400	4,75	1250	5,11	275	220
TSA47,5×51×1250L	403380500	4,75	1250	5,11	275	220
TSA50×51×2000R	411800314	5,00	2000	5,40	440	220
TSA50×51×2000L	411800315	5,00	2000	5,40	440	220
TSA52,5×51×2000R	411800316	5,25	2000	5,70	440	220
TSA52,5×51×2000L	411800317	5,25	2000	5,70	440	220
TSA55×51×2000R	411800318	5,50	2000	6,00	440	220
TSA55×51×2000L	411800319	5,50	2000	6,00	440	220
TSA57,5×51×1600R	403800900	5,75	1600	6,30	352	220
TSA57,5×51×1600L	403801000	5,75	1600	6,30	352	220
TSA60×51×1700R	403801100	6,00	1700	6,60	374	220
TSA60×51×1700L	403801200	6,00	1700	6,60	374	220
TSA62,5×51×1800R	403801300	6,25	1800	6,91	396	220
TSA62,5×51×1800L	403801400	6,25	1800	6,91	396	220
TSA65×51×1900R	403801500	6,50	1900	7,21	418	220
TSA65×51×1900L	403801600	6,50	1900	7,21	418	220
TSA70×51×1400R	403382000	7,00	1400	7,84	308	220
TSA70×51×1400L	403382100	7,00	1400	7,84	308	220
TSA70×51×2000R	403384800	7,00	2000	7,84	440	220
TSA70×51×2000L	403384900	7,00	2000	7,84	440	220

\* Ввиду постоянного совершенствования конструкции возможно изменение параметров пружин.

Актуальные артикулы следует уточнять при заказе комплектации.

\*\* Указанные цвета имеют близкое соответствие шкале RAL.

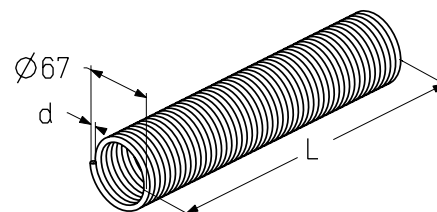
## ПРУЖИНЫ И НАКОНЕЧНИКИ ПРУЖИННЫЕ

## Пружина\*

Используется:

- в гаражных воротах с торсионными пружинами всех типов монтажа;
- в промышленных воротах всех типов монтажа.

Внутренний диаметр, мм ..... 67  
 Диаметр вала, мм ..... 25,4  
 Материал ..... стальная проволока  
 Покрытие ..... полимерное  
 Цвет\*\* ..... RAL 9006  
 Единица измерения ..... м



Артикул	Код	Диаметр (d), мм	Длина (L), мм	Вес нетто, кг/м	Норма поставки	
					м	шт.
TSA55×67×1200R	403383700	5,50	1200	7,69	168	140
TSA55×67×1200L	403382400	5,50	1200	7,69	168	140
TSA57,5×67×1400R	403382500	5,75	1400	8,07	196	140
TSA57,5×67×1400L	403382600	5,75	1400	8,07	196	140
TSA60×67×1500R	403802700	6,00	1500	8,45	210	140
TSA60×67×1500L	403802800	6,00	1500	8,45	210	140
TSA62,5×67×1700R	403387200	6,25	1700	8,83	238	140
TSA62,5×67×1700L	403387300	6,25	1700	8,83	238	140
TSA65×67×1700R	403803500	6,50	1700	9,21	238	140
TSA65×67×1700L	403803600	6,50	1700	9,21	238	140
TSA70×67×1900R	403803700	7,00	1900	9,99	266	140
TSA70×67×1900L	403803800	7,00	1900	9,99	266	140
TSA75×67×2200R	403802500	7,50	2200	10,78	308	140
TSA75×67×2200L	403802600	7,50	2200	10,78	308	140

\* Ввиду постоянного совершенствования конструкции возможно изменение параметров пружин.

Актуальные артикулы следует уточнять при заказе комплектации.

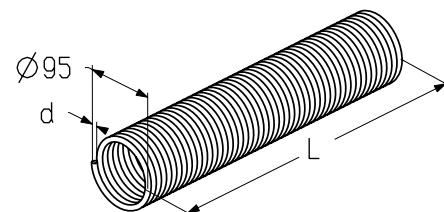
\*\* Указанные цвета имеют близкое соответствие шкале RAL.

## ПРУЖИНЫ И НАКОНЕЧНИКИ ПРУЖИННЫЕ

### Пружина\*

Используется в промышленных воротах всех типов монтажа.

Внутренний диаметр, мм .....	95
Диаметр вала, мм .....	25,4/31,75
Материал .....	стальная проволока
Покрытие .....	полимерное
Цвет .....	RAL 9006
Единица измерения .....	м



Артикул	Код	Диаметр (d), мм	Длина (L), мм	Вес нетто, кг/м	Норма поставки	
					м	шт.
TSA65×95×1400L	403374300	6,50	1400	12,81	95,2	68
TSA65×95×1400R	403374400	6,50	1400	12,81	95,2	68
TSA70×95×1150L	403376500	7,00	1150	13,86	78,2	68
TSA70×95×1150R	403376600	7,00	1150	13,86	78,2	68
TSA70×95×1650L	403376700	7,00	1650	13,86	112,2	68
TSA70×95×1650R	403376700	7,00	1650	13,86	112,2	68
TSA75×95×1300L	403376900	7,50	1300	14,93	88,4	68
TSA75×95×1300R	403376800	7,50	1300	14,93	88,4	68
TSA75×95×1750L	403377100	7,50	1750	14,93	119	68
TSA75×95×1750R	403377000	7,50	1750	14,93	119	68
TSA80×95×1500L	403700200	8,00	1500	16,00	102	68
TSA80×95×1500R	403700100	8,00	1500	16,00	102	68
TSA80×95×2100L	403370700	8,00	2100	16,00	142,8	68
TSA80×95×2100R	403370800	8,00	2100	16,00	142,8	68
TSA85×95×1250L	403370900	8,50	1250	17,08	85	68
TSA85×95×1250R	403371000	8,50	1250	17,08	85	68
TSA85×95×1800L	403373500	8,50	1800	17,08	122,4	68
TSA85×95×1800R	403373600	8,50	1800	17,08	122,4	68
TSA90×95×1400L	403371100	9,00	1400	18,17	95,2	68
TSA90×95×1400R	403371200	9,00	1400	18,17	95,2	68
TSA90×95×1800L	403373700	9,00	1800	18,17	122,4	68
TSA90×95×1800R	403373800	9,00	1800	18,17	122,4	68
TSA95×95×1750L	403375200	9,50	1750	19,28	119	68
TSA95×95×1750R	403375300	9,50	1750	19,28	119	68

\* Ввиду постоянного совершенствования конструкции возможно изменение параметров пружин.

Актуальные артикулы следует уточнять при заказе комплектации.

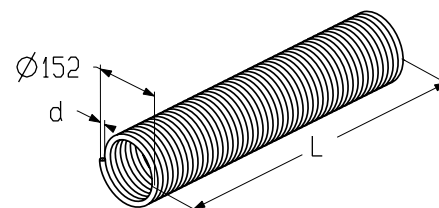
\*\* Указанные цвета имеют близкое соответствие шкале RAL.

## ПРУЖИНЫ И НАКОНЕЧНИКИ ПРУЖИННЫЕ

## Пружина\*

Используется в промышленных воротах всех типов монтажа.

Внутренний диаметр, мм	152
Диаметр вала, мм	25,4/31,75
Материал	стальная проволока
Покрытие	полимерное
Цвет	RAL 9006
Единица измерения	м



Артикул	Код	Диаметр (d), мм	Длина (L), мм	Вес нетто, кг/м	Норма поставки	
					м	шт.
TSA75×152×1300L	403377700	7,50	1300	23,23	36,4	28
TSA75×152×1300R	403377600	7,50	1300	23,23	36,4	28
TSA80×152×1500L	403377900	8,00	1500	24,85	42	28
TSA80×152×1500R	403377800	8,00	1500	24,85	42	28
TSA85×152×1250L	403700600	8,50	1250	26,49	35	28
TSA85×152×1250R	403700500	8,50	1250	26,49	35	28
TSA85×152×1750L	403700400	8,50	1750	26,49	49	28
TSA85×152×1750R	403700300	8,50	1750	26,49	49	28
TSA90×152×1300R	403379600	9,00	1300	28,14	36,4	28
TSA90×152×1300L	403379700	9,00	1300	28,14	36,4	28
TSA90×152×2100L	403375400	9,00	2100	28,14	58,8	28
TSA90×152×2100R	403375500	9,00	2100	28,14	58,8	28
TSA95×152×1300L	403375700	9,50	1300	29,79	36,4	28
TSA95×152×1300R	403375600	9,50	1300	29,79	36,4	28
TSA95×152×1500L	411800324	9,50	1500	29,79	42	28
TSA95×152×1500R	411800325	9,50	1500	29,79	42	28
TSA95×152×2250L	403372300	9,50	2250	29,79	63	28
TSA95×152×2250R	403372400	9,50	2250	29,79	63	28
TSA100×152×1400L	403700800	10,00	1400	31,46	39,2	28
TSA100×152×1400R	403700700	10,00	1400	31,46	39,2	28
TSA100×152×1600L	403702400	10,00	1600	31,46	44,8	28
TSA100×152×1600R	403702300	10,00	1600	31,46	44,8	28
TSA100×152×2450L	403701000	10,00	2450	31,46	68,6	28
TSA100×152×2450R	403700900	10,00	2450	31,46	68,6	28
TSA105×152×1400L	403372700	10,50	1400	33,13	39,2	28
TSA105×152×1400R	403372800	10,50	1400	33,13	39,2	28
TSA105×152×1800L	403374100	10,50	1800	33,13	50,4	28
TSA105×152×1800R	403374200	10,50	1800	33,13	50,4	28
TSA110×152×1550L	403375800	11,00	1550	34,81	43,4	28
TSA110×152×1550R	403375900	11,00	1550	34,81	43,4	28
TSA110×152×1800L	403379100	11,00	1800	34,81	50,4	28
TSA110×152×1800R	403379200	11,00	1800	34,81	50,4	28
TSA115×152×1800L	403379300	11,50	1800	36,51	50,4	28
TSA115×152×1800R	403379400	11,50	1800	36,51	50,4	28
TSA120×152×1700L	403379500	12,00	1700	38,21	47,6	28
TSA120×152×1700R	403379400	12,00	1700	38,21	47,6	28

\* Ввиду постоянного совершенствования конструкции возможно изменение параметров пружин.  
Актуальные артикулы следует уточнять при заказе комплектации.

\*\* Указанные цвета имеют близкое соответствие шкале RAL.

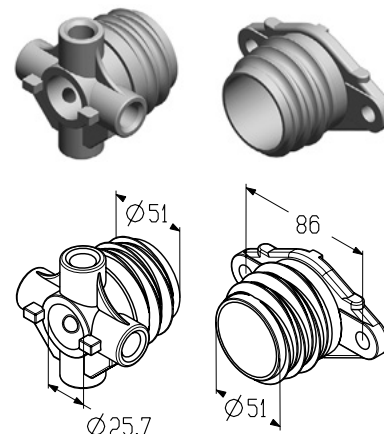
## ПРУЖИНЫ И НАКОНЕЧНИКИ ПРУЖИННЫЕ

### Наконечники пружинные 51 мм

Используются совместно с пружинами с внутренним диаметром 51 мм.

Материал .....	алюминий
Диаметр вала, мм .....	25,4
Вес, кг/пара .....	0,7
Единица измерения .....	пара
Норма поставки, пара .....	100

Артикул	Код
SF-51	403120000

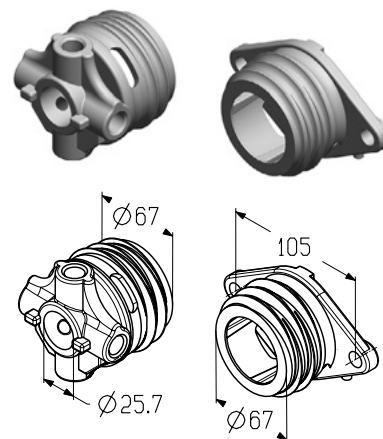


### Наконечники пружинные 67 мм

Используются совместно с пружинами с внутренним диаметром 67 мм.

Материал .....	алюминий
Диаметр вала, мм .....	25,4
Вес, кг/пара .....	1
Единица измерения .....	пара
Норма поставки, пара .....	100

Артикул	Код
SF-67	403120100

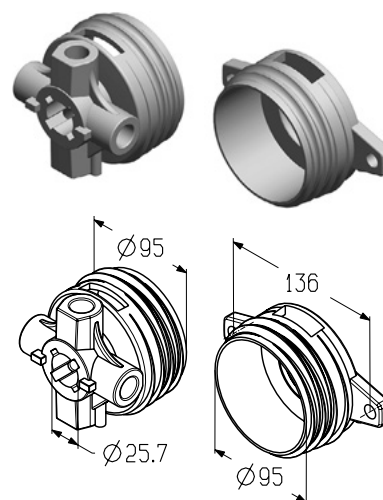


### Наконечники пружинные 95 мм

Используются совместно с пружинами с внутренним диаметром 95 мм.

Материал .....	алюминий
Диаметр вала, мм .....	25,4
Вес, кг/пара .....	3,2
Единица измерения .....	пара
Норма поставки, пара .....	20

Артикул	Код
SF-95	403120200

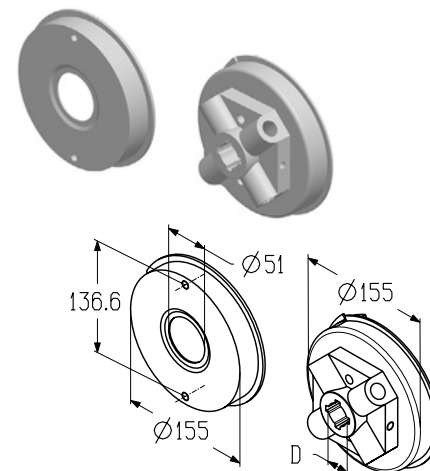


## ПРУЖИНЫ И НАКОНЕЧНИКИ ПРУЖИННЫЕ

## Наконечники пружинные 152 мм

Используются совместно с пружинами с внутренним диаметром 152 мм.

Материал ..... алюминий  
 Вес, кг/пара ..... 1,33  
 Единица измерения ..... пара  
 Норма поставки, пара ..... 7

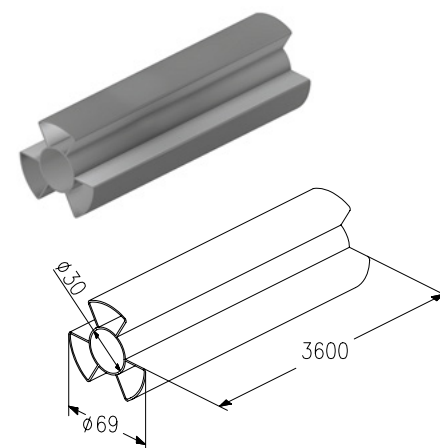


Артикул	Код	Диаметр вала (d), мм	Применение
SF-152L	403120500	25,4	Левый
SF-152R	403120400		Правый
SF-152L-5/4	403130200	31,75	Левый
SF-152R-5/4	403130100		Правый

## Профиль проставочный

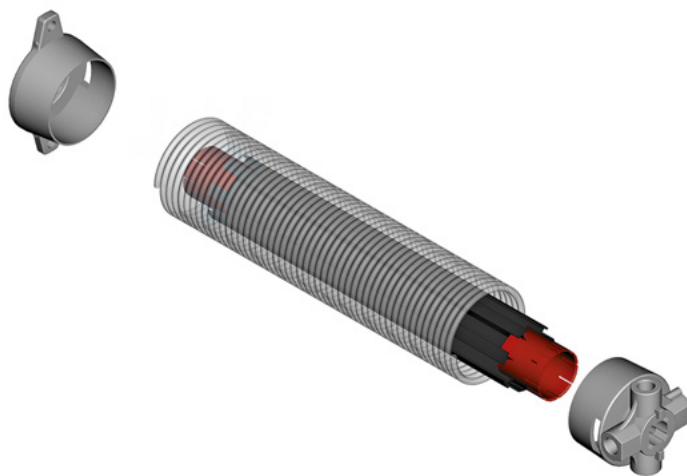
Применяется совместно с пружиной с внутренним диаметром 95 мм.

Длина, мм ..... 3800  
 Материал ..... ПВХ  
 Единица измерения ..... м  
 Норма поставки, м ..... 3,8



Артикул	Код	Диаметр вала (d), мм	Вес, кг/м
IP-95N-3800	418700371	25,4	0,48
IP-95N-5/4-3800		31,75	0,49

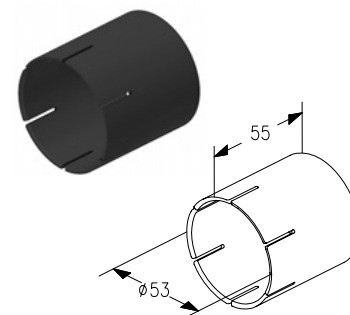
## ПРУЖИНА С ВНУТРЕННИМ ДИАМЕТРОМ 95 ММ



### Адаптер проставочный

Предназначен для установки совместно с профилем проставочным **IP-95N-3800**, **IP-95N-5/4-3800**.

Материал ..... ПВХ  
 Вес, кг/шт. .... 0,023  
 Единица измерения ..... шт.  
 Норма поставки, шт. .... 420

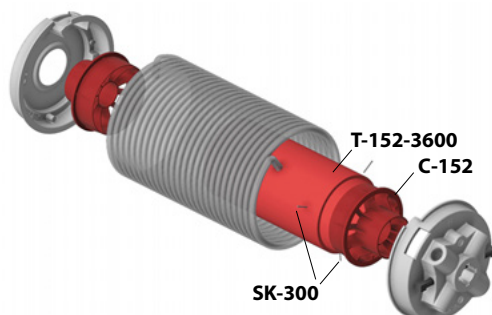


Артикул	Код
DH-4020	418700326



## ПРУЖИНА С ВНУТРЕННИМ ДИАМЕТРОМ 152 М

УСТАНОВКА ТРУБЫ ПРОСТАВОЧНОЙ

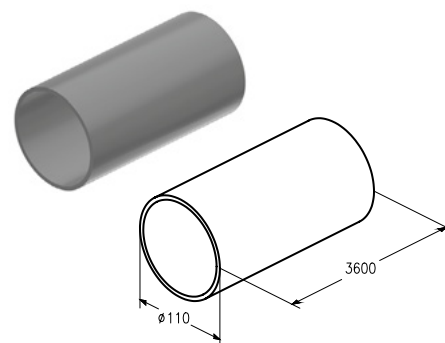


## Труба проставочная 110×4,2 мм

Предназначена для установки совместно с пружиной с внутренним диаметром 152 мм.

Материал .....	ПНД
Вес, кг/м .....	1,56
Единица измерения .....	м
Норма поставки, м .....	3,6

Артикул	Код
T-152-3600	418700437

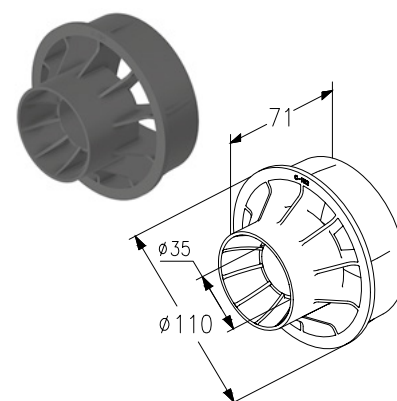


## Крышка для трубы проставочной

Применяется совместно с трубой проставочной T-152-3600.

Материал .....	полиэтилен
Вес, кг/шт. ....	0,06
Единица измерения .....	шт.
Норма поставки, шт. ....	140

Артикул	Код
C-152	411800307



## Штифт

Используется в качестве крепежа совместно с пружиной с внутренним диаметром 152 мм и крышками C-152. Поставляется в сборе с трубой проставочной T-152-3600 и крышками для трубы проставочной C-152.

Материал .....	сталь
Вес, кг/шт. ....	0,0002
Единица измерения .....	шт.
Норма поставки, шт. ....	100

Артикул	Код
SK-300	418700331

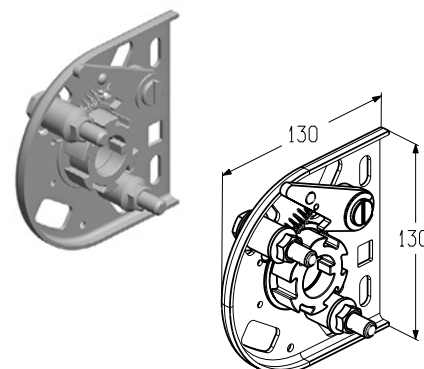
## МУФТЫ ПРЕДОХРАНИТЕЛЬНЫЕ ХРАПОВЫЕ

### Муфта предохранительная храповая

Предназначена для блокировки вала при поломке пружины.  
Используется в гаражных воротах с торсионными пружинами стандартного и низкого типов монтажа.

Материал ..... оцинкованная сталь  
Вес, кг/шт. .... 0,7  
Диаметр вала, мм ..... 25,4  
Единица измерения ..... шт.  
Норма поставки, шт. .... 32

Артикул	Код	Применение
SBD-TR	403732700	Правая
SBD-TL	403732600	Левая

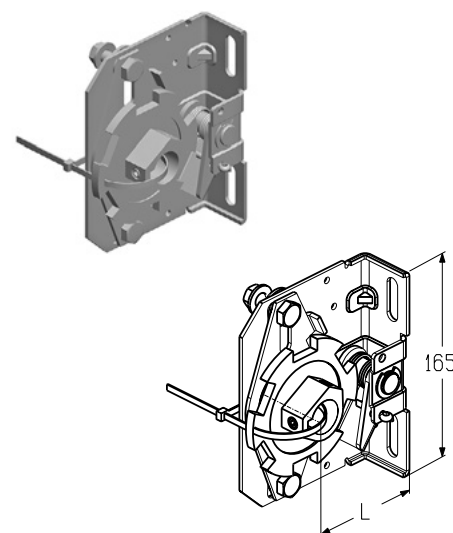


### Муфта предохранительная храповая

Предназначена для блокировки вала при поломке пружины. Используется в гаражных воротах высокого типа монтажа, промышленных воротах всех типов монтажа.

Диаметр вала, мм ..... 25,4  
Материал ..... оцинкованная сталь  
Единица измерения ..... шт.

Артикул	Код	Примечание	Применение	Норма поставки, шт.
SBD-86R	403731800	Расстояние от стены до оси вала более 86 мм	Правая	15
SBD-86L	403731900		Левая	
SBD-111R	403732000	Расстояние от стены до оси вала более 111 мм	Правая	10
SBD-111L	403732100		Левая	
SBD-127R	403732200	Расстояние от стены до оси вала более 127 мм	Правая	
SBD-127L	403732300		Левая	
SBD-152R	403732400	Расстояние от стены до оси вала более 152 мм	Правая	
SBD-152L	403732500		Левая	

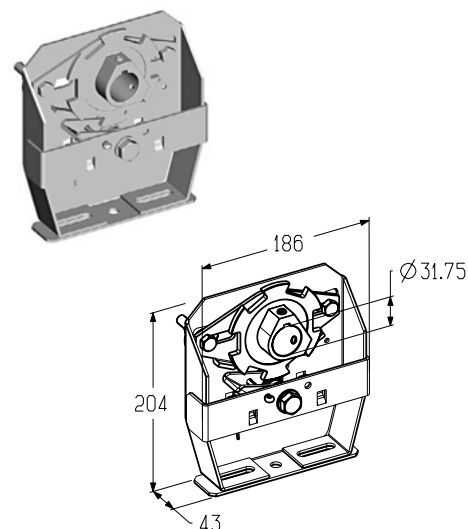


### Муфта предохранительная храповая

Предназначена для блокировки вала при поломке пружины. Устанавливается совместно с пружинами с внутренним диаметром 95, 152 мм.  
Используется в промышленных воротах всех типов монтажа.

Материал ..... оцинкованная сталь  
Диаметр вала, мм ..... 31,75  
Единица измерения ..... шт.  
Вес, кг/шт. .... 2,50  
Норма поставки, шт. .... 20

Артикул	Код	Применение
SBD-TSS5/4L	403730800	Левая
SBD-TSS5/4R	403730900	Правая



## БАРАБАНЫ

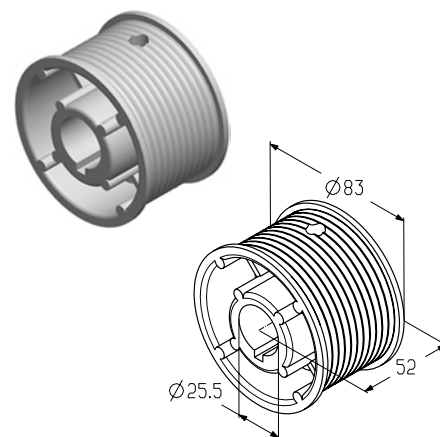
## Барaban

Предназначен для намотки троса Ø3 мм.

Используется: в гаражных воротах с торсионными пружинами стандартного и низкого типов монтажа.

Диаметр вала, мм	25,4
Мах высота ворот, мм	2600
Мах масса полотна ворот, кг	320
Материал	алюминий
Вес, кг/пара	0,8
Единица измерения	пара
Норма поставки, пара	25

Артикул	Код
CD010N	403020000



## Барaban

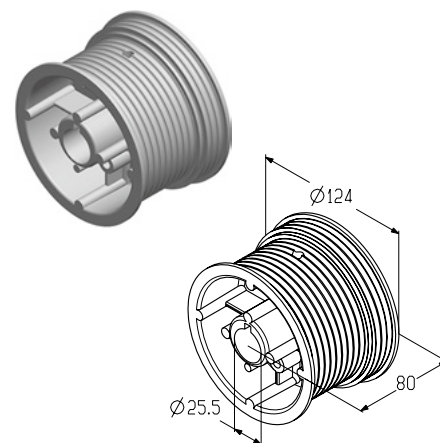
Предназначен для намотки троса Ø3, 4, 5 мм.

Используется:

- в гаражных воротах с торсионными пружинами стандартного и низкого типов монтажа;
- в промышленных воротах стандартного, низкого, низкого с передним расположением вала, низкого с передним расположением вала (тип 2), наклонного низкого и наклонного типов монтажа.

Диаметр вала, мм	25,4
Мах высота ворот, мм	3680
Мах масса полотна ворот, кг	500
Материал	алюминий
Вес, кг/пара	1,1
Единица измерения	пара
Норма поставки, пара	20

Артикул	Код
CD012N	403020100



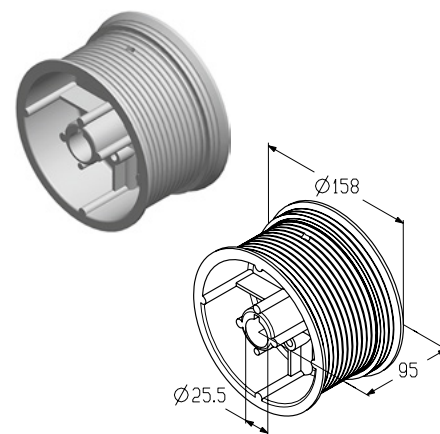
## Барaban

Предназначен для намотки троса Ø3, 4, 5 мм.

Используется в промышленных воротах стандартного, низкого, низкого с передним расположением вала, низкого с передним расположением вала (тип 2), наклонного низкого и наклонного типов монтажа.

Диаметр вала, мм	25,4
Мах высота ворот, мм	5570
Мах масса полотна ворот, кг	500
Материал	алюминий
Вес, кг/пара	1,6
Единица измерения	пара
Норма поставки, пара	15

Артикул	Код
CD018N	403020200



## БАРАБАНЫ

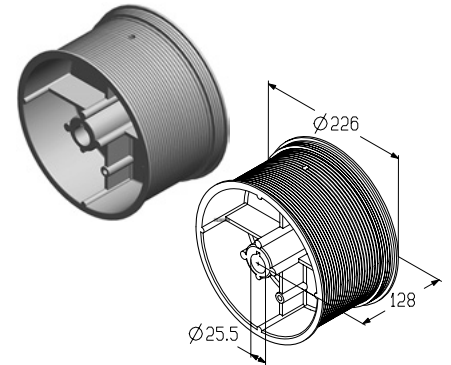
### Барабан

Предназначен для крепления троса Ø3, 4, 5, 6 мм.

Используется в промышленных воротах стандартного, низкого, низкого с передним расположением вала, низкого с передним расположением вала (тип 2), наклонного низкого и наклонного типов монтажа.

Диаметр вала, мм	25,4
Мах высота ворот, мм	10175
Мах масса полотна ворот, кг	700
Материал	алюминий
Вес, кг/пара	5,1
Единица измерения	пара
Норма поставки, пара	4

Артикул	Код
CD032N	403020300
CD032N-D	410000015



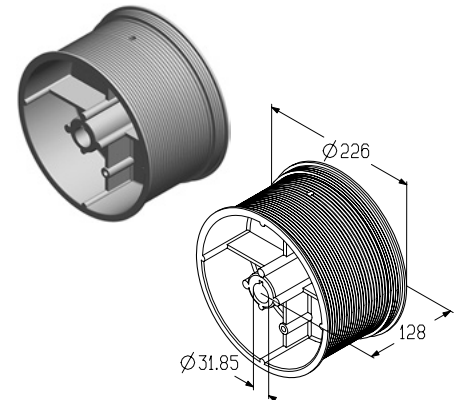
### Барабан

Предназначен для крепления троса Ø3, 4, 5, 6 мм.

Используется в промышленных воротах стандартного, низкого, низкого с передним расположением вала, низкого с передним расположением вала (тип 2), наклонного низкого и наклонного типов монтажа.

Диаметр вала, мм	31,75
Мах высота ворот, мм	10175
Мах масса полотна ворот, кг	700
Материал	алюминий
Вес, кг/пара	5,1
Единица измерения	пара
Норма поставки, пара	2

Артикул	Код
CD032N-5/4	403030000



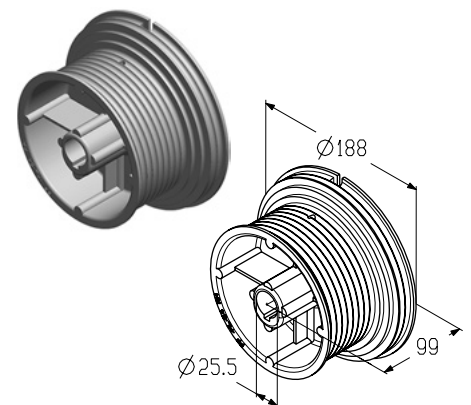
### Барабан

Предназначен для крепления троса Ø3, 4, 5 мм.

Используется в гаражных воротах высокого типа монтажа, промышленных воротах высокого и высокого наклонного типов монтажа.

Диаметр вала, мм	25,4
Мах высота ворот, мм	4800
Мах масса полотна ворот, кг	500
Мах HL*, мм	1370
Материал	алюминий
Вес, кг/пара	2,1
Единица измерения	пара
Норма поставки, пара	6

Артикул	Код
CD054H	403020400



\* Максимальное расстояние от нижнего края перемычки до нижнего края горизонтальных направляющих.

## БАРАБАНЫ

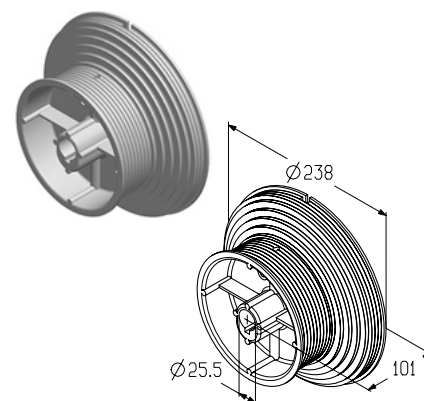
## Барабан

Предназначен для крепления троса Ø3, 4, 5 мм.

Используется в промышленных воротах высокого и высокого наклонного типов монтажа.

Диаметр вала, мм	4
Мах высота ворот, мм	5050
Мах масса полотна ворот, кг	500
Мах HL*, мм	3050
Материал	алюминий
Вес, кг/пара	2,9
Единица измерения	пара
Норма поставки, пара	5

Артикул	Код
CD120H	403020500



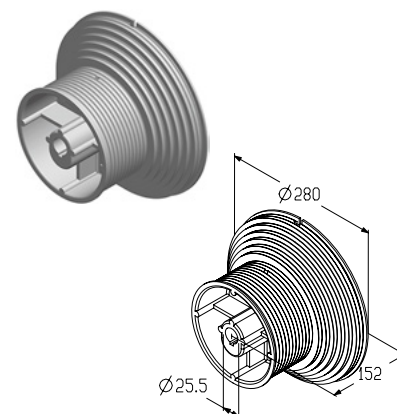
## Барабан

Предназначен для крепления троса Ø3, 4, 5, 6 мм.

Используется в промышленных воротах высокого и высокого наклонного типов монтажа.

Диаметр вала, мм	25,4
Мах высота ворот, мм	6000
Мах масса полотна ворот, кг	650
Мах HL*, мм	4100
Материал	алюминий
Вес, кг/пара	6,5
Единица измерения	пара
Норма поставки, пара	3

Артикул	Код
CD164H	403020600
CD164H-D	410000014



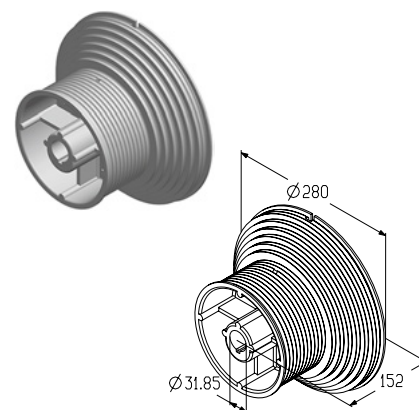
## Барабан

Предназначен для крепления троса Ø3, 4, 5, 6 мм.

Используется в промышленных воротах высокого и высокого наклонного типов монтажа.

Диаметр вала, мм	31,75
Мах высота ворот, мм	6000
Мах масса полотна ворот, кг	650
Мах HL*, мм	4100
Материал	алюминий
Вес, кг/пара	6,5
Единица измерения	пара
Норма поставки, пара	2

Артикул	Код
CD164H-5/4	403030100



\* Максимальное расстояние от нижнего края перемычки до нижнего края горизонтальных направляющих.

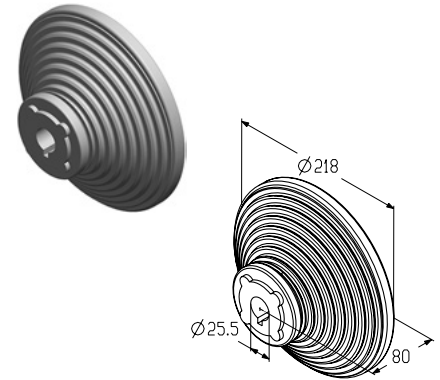
## БАРАБАНЫ

### Барабан

Предназначен для крепления троса Ø3, 4, 5 мм.  
Используется в промышленных воротах вертикальных типов монтажа.

Диаметр вала, мм	25,4
Мах высота ворот, мм	3300
Мах масса полотна ворот, кг	500
Материал	алюминий
Вес, кг/пара	1,9
Единица измерения	пара
Норма поставки, пара	9

Артикул	Код
CD011V	403020700
CD011V-D	410000010

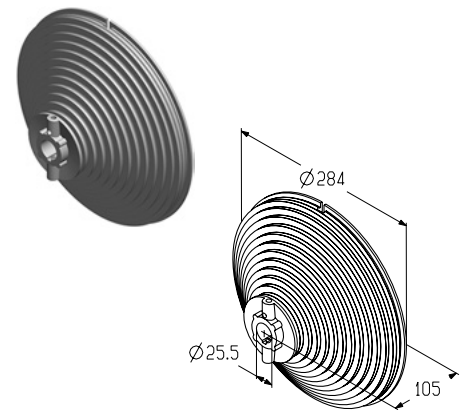


### Барабан

Предназначен для крепления троса Ø3, 4, 5 мм.  
Используется в промышленных воротах вертикальных типов монтажа.

Диаметр вала, мм	25,4
Мах высота ворот, мм	6000
Мах масса полотна ворот, кг	600
Материал	алюминий
Вес, кг/пара	4
Единица измерения	пара
Норма поставки, пара	5

Артикул	Код
CD018V	403020800
CD018V-D	410000011

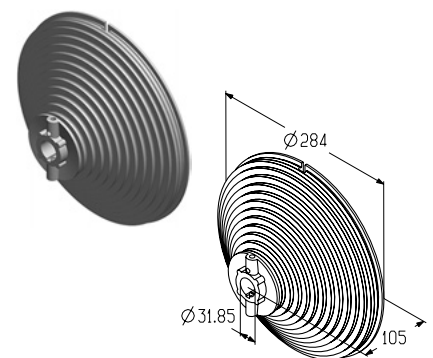


### Барабан

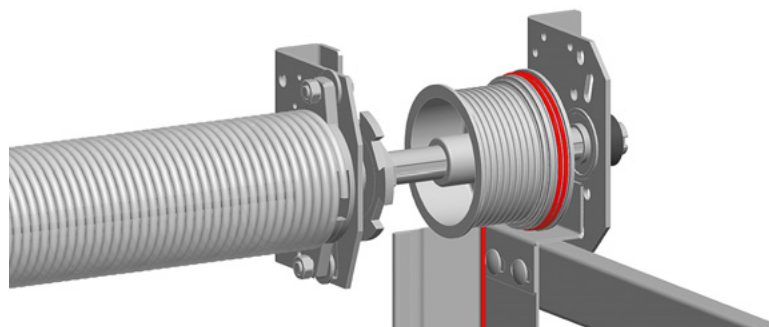
Предназначен для крепления троса Ø3, 4, 5 мм.  
Используется в промышленных воротах вертикальных типов монтажа.

Диаметр вала, мм	31,75
Мах высота ворот, мм	6000
Мах масса полотна ворот, кг	600
Материал	алюминий
Вес, кг/пара	4
Единица измерения	пара
Норма поставки, пара	4

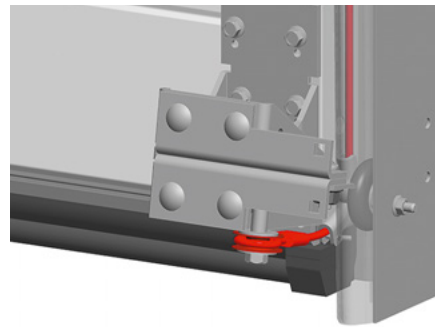
Артикул	Код
CD018V-5/4	403030200



## ТРОСЫ, КОУШИ, ЗАЖИМЫ



Барaban



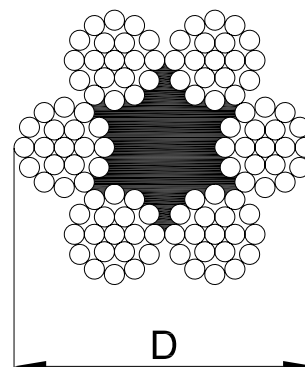
Нижний кронштейн

## Трос

Предназначен для подъема полотна ворот.  
Применяется в гаражных и промышленных воротах всех типов монтажа.

Материал ..... оцинкованная сталь+PVC  
Единица измерения ..... м  
Норма поставки, м ..... 1000

Артикул	Код	Диаметр троса (d), мм	Вес, кг/м	Для ворот с массой полотна, кг
CR-3-250-P	403930800	3	0,055	до 135

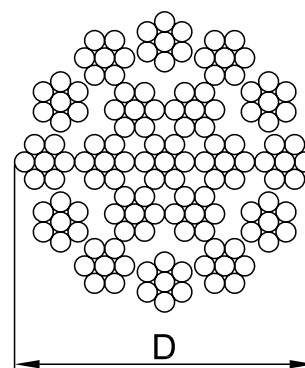


## Трос

Предназначен для подъема полотна ворот.  
Применяется в гаражных и промышленных воротах всех типов монтажа.

Материал ..... оцинкованная сталь  
Единица измерения ..... м  
Норма поставки, м ..... 1000

Артикул	Код	Диаметр троса (d), мм	Вес, кг/м	Для ворот с массой полотна, кг
CR-4-H	414060398	4	0,060	от 135 до 200
CR-5-H	414060399	5	0,092	от 200 до 450

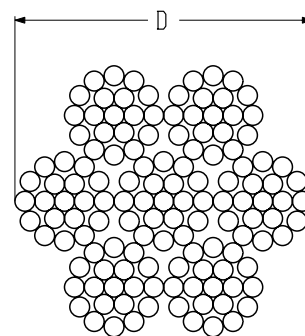


## Трос

Предназначен для подъема полотна ворот.

Материал ..... оцинкованная сталь  
Единица измерения ..... м  
Норма поставки, м ..... 1000

Артикул	Код	Диаметр троса (d), мм	Вес, кг/м	Для ворот с массой полотна, кг
CR-6-250	403930300	6	0,140	от 450



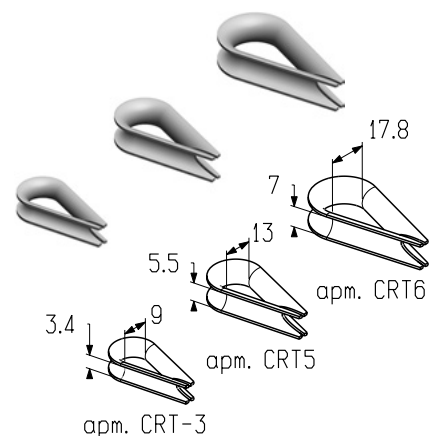
## ТРОСЫ, КОУШИ, ЗАЖИМЫ

### Коуш

Предназначен для заделки троса.

Материал ..... оцинкованная сталь  
 Единица измерения ..... шт.  
 Норма поставки, шт. .... 1000

Артикул	Код	Диаметр троса (d), мм	Вес, кг/шт.
CRT-3	403950000	3	0,002
CRT-5	403950100	5 и 4	0,005
CRT-6	403950200	6	0,008

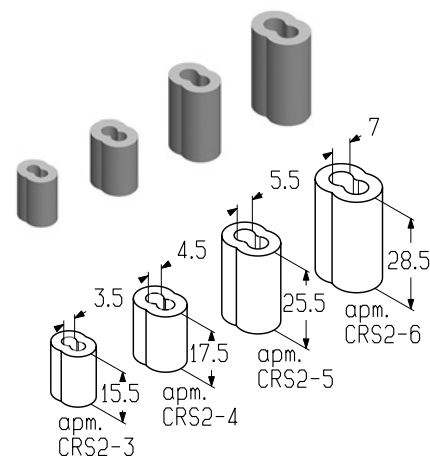


### Зажим

Предназначен для заделки троса.

Материал ..... алюминий  
 Единица измерения ..... шт.  
 Норма поставки, шт. .... 1000

Артикул	Код	Диаметр троса (d), мм	Вес, кг/шт.
CRS2-3	403940000	3	0,003
CRS2-4	403940100	4	0,004
CRS2-5	403940200	5	0,007
CRS2-6	403940300	6	0,011

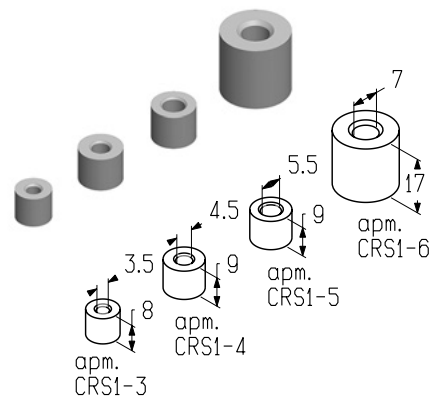


### Зажим

Предназначен для заделки троса.

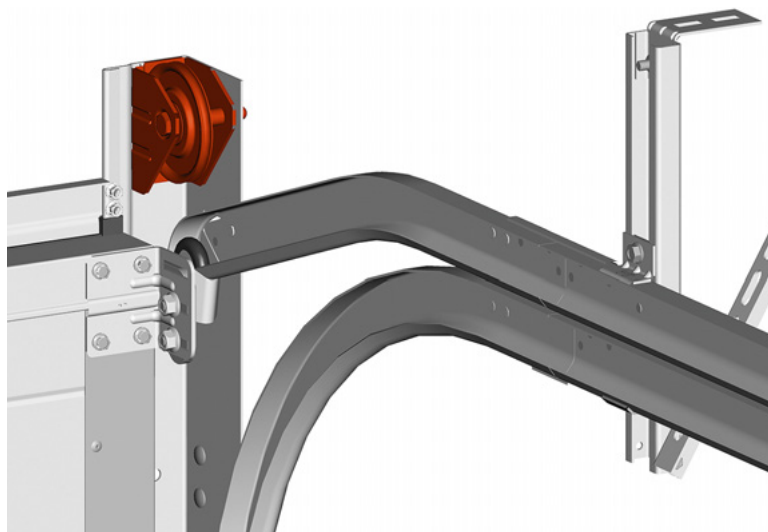
Материал ..... алюминий  
 Единица измерения ..... шт.  
 Норма поставки, шт. .... 1000

Артикул	Код	Диаметр троса (d), мм	Вес, кг/шт.
CRS1-3	403940400	3	0,001
CRS1-4	403940500	4	0,002
CRS1-5	403940600	5	0,002
CRS1-6	403940700	6	0,004





## ШКИВЫ И КРОНШТЕЙНЫ ДЛЯ УСТАНОВКИ ТОРСИОННОГО ВАЛА

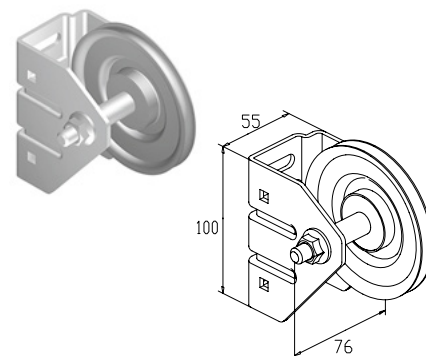


### Кронштейн шкива

Предназначен для установки троса Ø3, 4, 5 мм.  
Используется в промышленных воротах низкого и наклонного низкого типов монтажа

Внешний диаметр, мм	100
Материал	оцинкованная сталь
Вес, кг/шт.	0,629
Единица измерения	шт.
Норма поставки, шт.	50

Артикул	Код	Применение
PB-3007IR	403410700	Правый
PB-3007IL	403410600	Левый

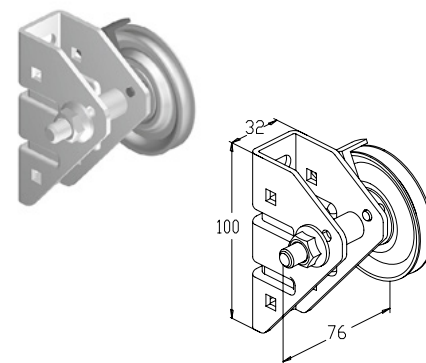


### Кронштейн шкива

Предназначен для установки троса Ø3 мм.  
Используется в гаражных воротах с торсионными пружинами низкого типа монтажа.

Внешний диаметр, мм	68
Материал	оцинкованная сталь
Вес, кг/шт.	0,490
Единица измерения	шт.
Норма поставки, шт.	50

Артикул	Код	Применение
PB-3008GR	403410500	Правый
PB-3008GL	403410400	Левый



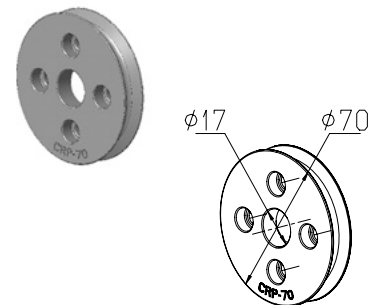
## ТРОСЫ, КОУШИ, ЗАЖИМЫ

### Шкив

Предназначен для установки троса.

Используется в промышленных воротах низкого типа монтажа с передним расположением вала (тип 2).

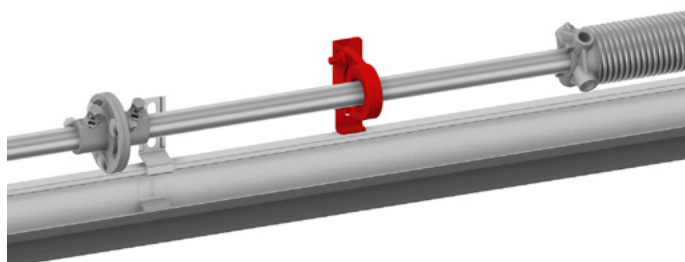
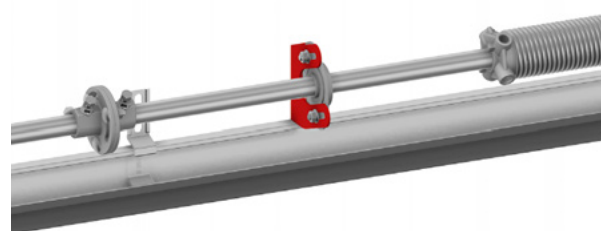
Материал ..... стеклонаполненный полиамид  
 Внешний диаметр, мм ..... 70  
 Вес, кг/шт. .... 0,041  
 Единица измерения ..... шт.  
 Норма поставки, шт. .... 2



Артикул	Код
CRP-70	418700488

## ШКИВЫ И КРОНШТЕЙНЫ ДЛЯ УСТАНОВКИ ТОРСИОННОГО ВАЛА

## КРОНШТЕЙН ПРОМЕЖУТОЧНЫЙ

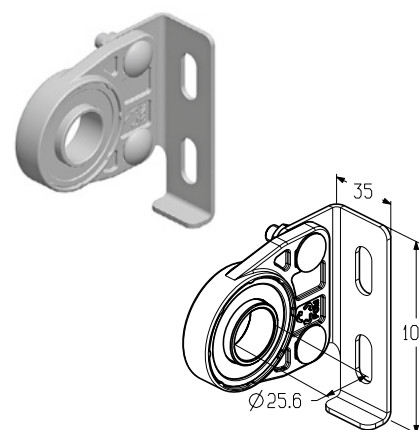
Кронштейн промежуточный  
(IBB-4501)Кронштейн промежуточный  
(IBB-4502)

## Кронштейн промежуточный

Предназначен для установки торсионного вала. Используется в гаражных воротах с торсионными пружинами стандартного типа монтажа шириной до 5000 мм.

Материал ..... оцинкованная сталь+РОМ  
 Вес, кг/шт. .... 0,326  
 Единица измерения ..... шт.  
 Норма поставки, шт. .... 70

Артикул	Код
IBB-4501	403431100



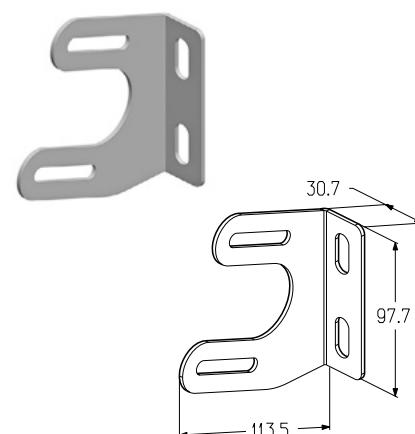
## Кронштейн промежуточный

Предназначен для установки торсионного вала. Устанавливается совместно с подшипником (BV0401) и корпусом подшипника (BR0400).

Используется в гаражных воротах с торсионными пружинами стандартного типа монтажа шириной более 5000 мм.

Материал ..... оцинкованная сталь  
 Вес, кг/шт. .... 0,17  
 Единица измерения ..... шт.  
 Норма поставки, шт. .... 100

Артикул	Код
IBB-4502	403431200



## ШКИВЫ И КРОНШТЕЙНЫ ДЛЯ УСТАНОВКИ ТОРСИОННОГО ВАЛА

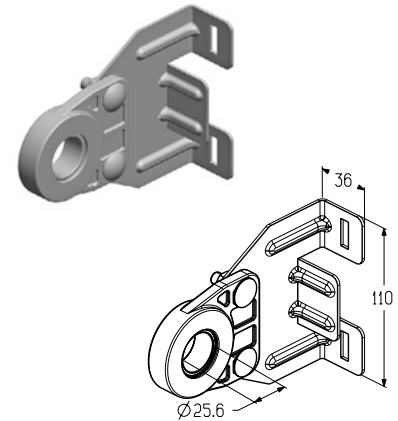
### КРОНШТЕЙН ПРОМЕЖУТОЧНЫЙ

#### Кронштейн промежуточный

Предназначен для установки торсионного вала.  
Используется в гаражных воротах с торсионными пружинами низкого типа монтажа шириной до 5000 мм.

Материал ..... оцинкованная сталь+ПОМ  
Вес, кг/шт. .... 0,381  
Единица измерения ..... шт.  
Норма поставки, шт. .... 40

Артикул	Код
TBB-4505	403431500

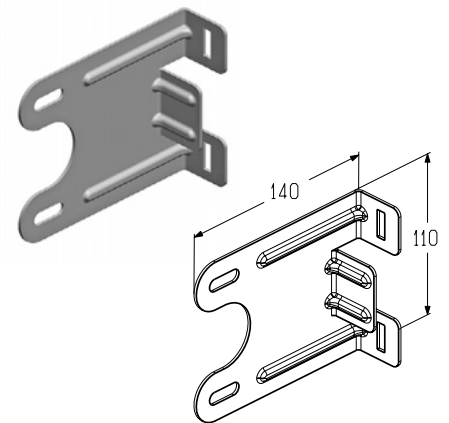


#### Кронштейн промежуточный

Предназначен для установки торсионного вала. Устанавливается совместно с подшипником (BV0401) и корпусом подшипника (BR0400).  
Используется в гаражных воротах с торсионными пружинами низкого типа монтажа шириной более 5000 мм.

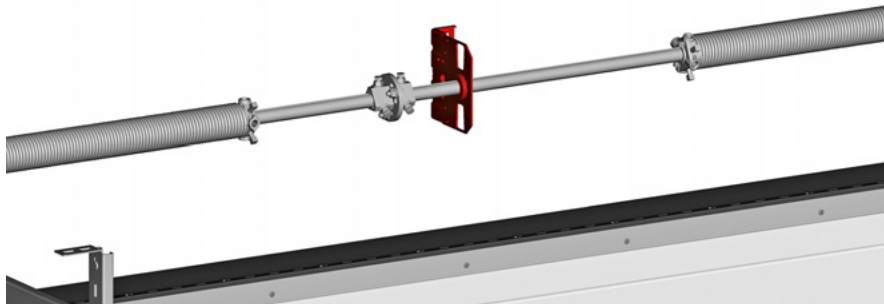
Материал ..... оцинкованная сталь  
Вес, кг/шт. .... 0,255  
Единица измерения ..... шт.  
Норма поставки, шт. .... 100

Артикул	Код
IBB-4510	403432300



## ШКИВЫ И КРОНШТЕЙНЫ ДЛЯ УСТАНОВКИ ТОРСИОННОГО ВАЛА

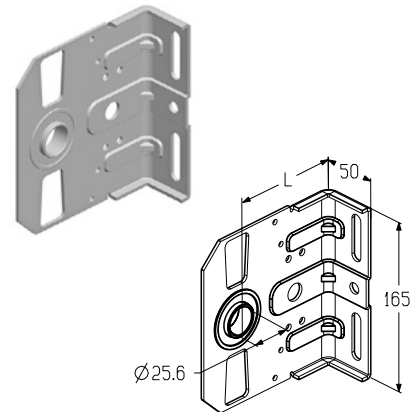
## КРОНШТЕЙН ПРОМЕЖУТОЧНЫЙ

**Кронштейн промежуточный**

Предназначен для установки торсионного вала.  
Используется в гаражных воротах высокого типа монтажа и промышленных воротах всех типов монтажа.

Материал ..... оцинкованная сталь  
Диаметр вала, мм ..... 25,4  
Единица измерения ..... шт.

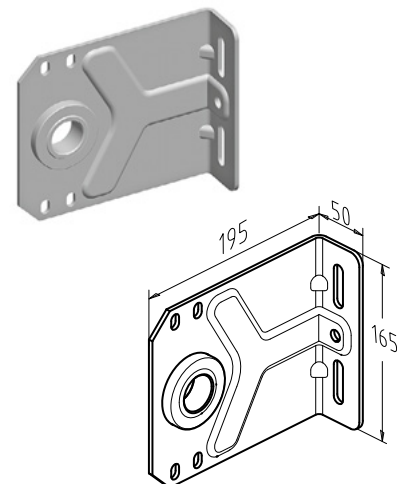
Артикул	Код	Размер (L), мм	Вес, кг/шт.	Норма поставки, шт.
IB-86M	403431900	86	0,762	30
IB-111M	403432000	111	0,681	
IB-127M	403432100	127	0,855	
IB-152M	403432200	152	1,211	20

**Кронштейн промежуточный**

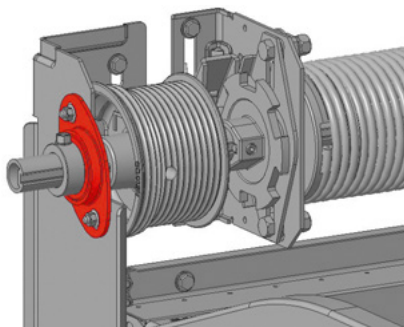
Предназначен для установки торсионного вала.  
Используется в промышленных воротах всех типов монтажа.

Материал ..... оцинкованная сталь  
Диаметр вала, мм ..... 31,75  
Единица измерения ..... шт.  
Норма поставки, шт. .... 15

Артикул	Код
IB-152-5/4	403430600



## ШКИВЫ И КРОНШТЕЙНЫ ДЛЯ УСТАНОВКИ ТОРСИОННОГО ВАЛА



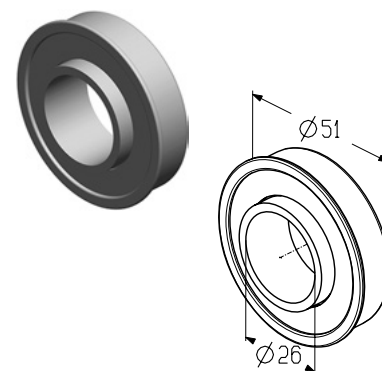
### Подшипник

Предназначен для установки совместно с корпусом подшипника (**BR0400**).

Используется:

- в гаражных воротах с торсионными пружинами стандартного и низкого типов монтажа;
- в промышленных воротах низкого типа монтажа с передним расположением вала (тип 2).

Вес, кг/шт. .... 0,112  
Единица измерения ..... шт.  
Норма поставки, шт. .... 200



Артикул	Код
BB0401	403910000

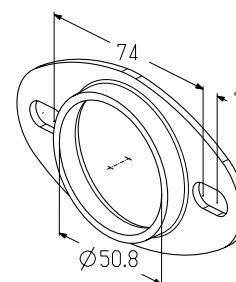
### Корпус подшипника

Предназначен для установки совместно с подшипником (**BB0401**).

Используется:

- в гаражных воротах с торсионными пружинами стандартного и низкого типов монтажа;
- в промышленных воротах низкого типа монтажа с передним расположением вала (тип 2).

Материал ..... оцинкованная сталь  
Вес, кг/шт. .... 0,118  
Единица измерения ..... шт.  
Норма поставки, шт. .... 200



Артикул	Код
BR0400	403920000

## ШКИВЫ И КРОНШТЕЙНЫ ДЛЯ УСТАНОВКИ ТОРСИОННОГО ВАЛА

### Подшипник

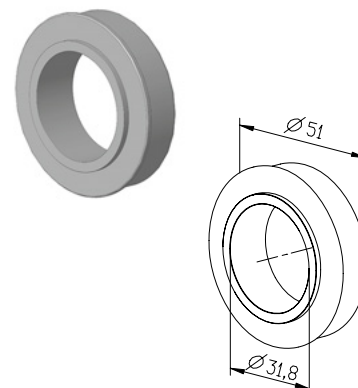
Применяется совместно с корпусом **BR0400**.

Используется в промышленных воротах низкого типа монтажа с передним расположением вала (тип 2).

Вес, кг/шт. .... 0,064

Единица измерения ..... шт.

Норма поставки, шт. .... 1



Артикул	Код
BB4011	418700505

1.1

1.2

1.3

1.4

1.5

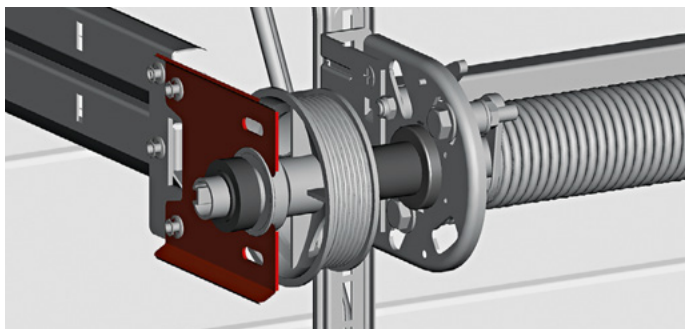
2

3

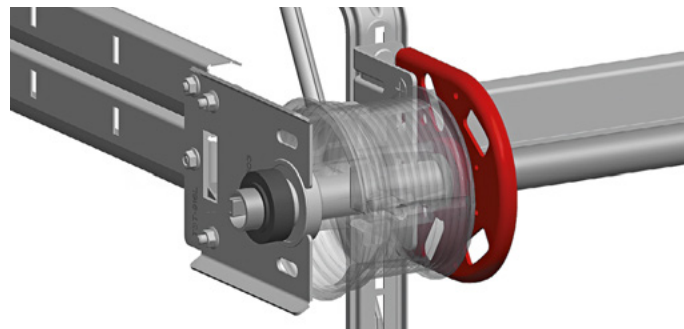
4

## ШКИВЫ И КРОНШТЕЙНЫ ДЛЯ УСТАНОВКИ ТОРСИОННОГО ВАЛА

### КРОНШТЕЙН БОКОВОЙ



**Кронштейн боковой  
(ТВТ-4503)**

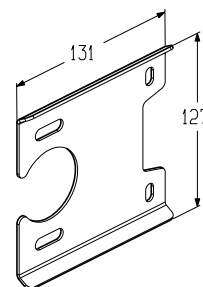


**Кронштейн боковой  
(ТВ-4507)**

#### Кронштейн боковой

Предназначен для установки торсионного вала.  
Применяется в гаражных воротах с торсионными пружинами низкого типа монтажа.

Диаметр вала, мм .....	25,4
Материал .....	оцинкованная сталь
Вес, кг/шт. ....	0,158
Единица измерения .....	шт.
Норма поставки, шт. ....	100

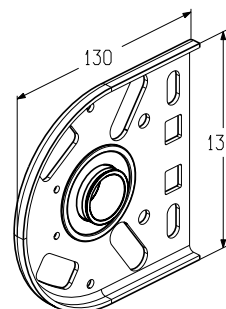


Артикул	Код
TBT-4503	403431300

#### Кронштейн боковой

Предназначен для установки торсионного вала.  
Применяется в гаражных воротах с одной торсионной пружиной для всех типов монтажа.

Диаметр вала, мм .....	25,4
Материал .....	оцинкованная сталь
Вес, кг/шт. ....	0,395
Единица измерения .....	шт.
Норма поставки, шт. ....	60

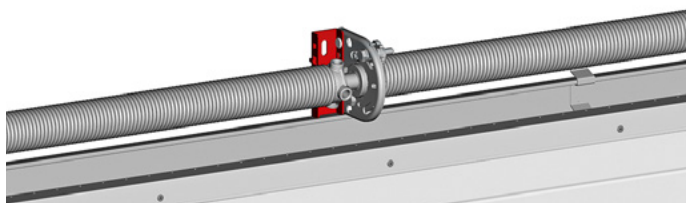
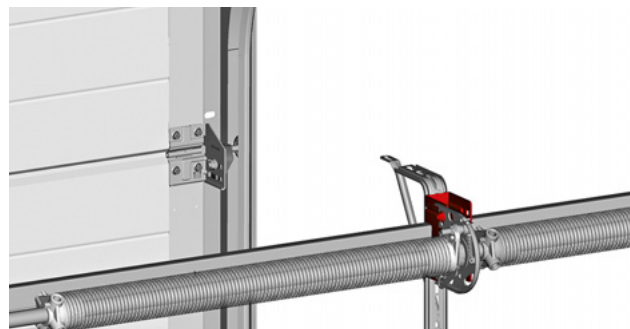


Артикул	Код
TB-4507	403431600



## ШКИВЫ И КРОНШТЕЙНЫ ДЛЯ УСТАНОВКИ ТОРСИОННОГО ВАЛА

## КРОНШТЕЙН ПРОМЕЖУТОЧНЫЙ

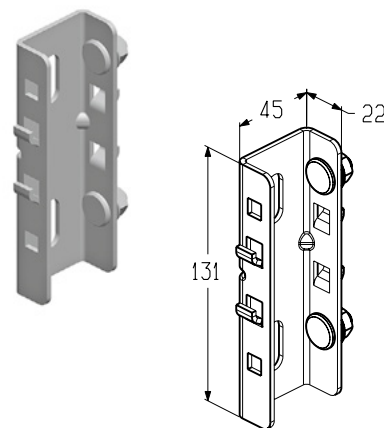
Кронштейн промежуточный  
(IB-4508)Кронштейн промежуточный  
(IB-4509)

## Кронштейн промежуточный

Предназначен для крепления муфты храповой предохранительной (SBD-TR/L) к проему.  
Применяется в гаражных воротах с торсионными пружинами в количестве 3 и более при стандартном типе монтажа.

Материал .....	оцинкованная сталь
Вес, кг/шт. ....	0,248
Единица измерения .....	шт.
Норма поставки, шт. ....	108

Артикул	Код
IB-4508	403431700

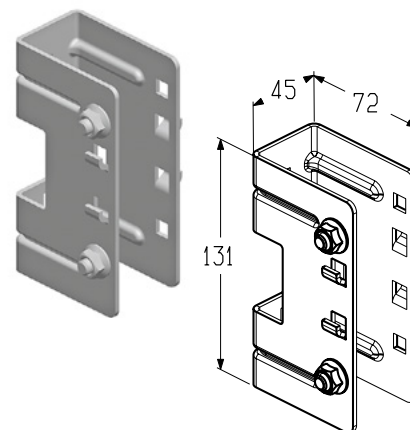


## Кронштейн промежуточный

Предназначен для крепления муфты храповой предохранительной (SBD-TR/L) к мерной планке.  
Применяется в гаражных воротах с торсионными пружинами в количестве 3 и более при низком типе монтажа.

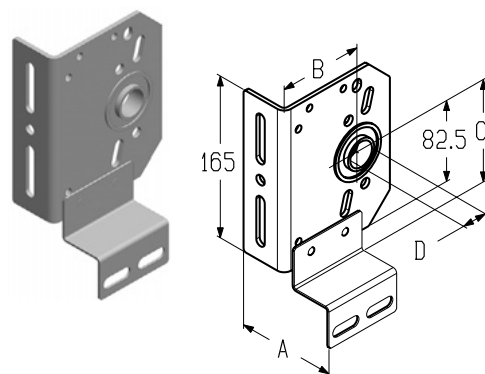
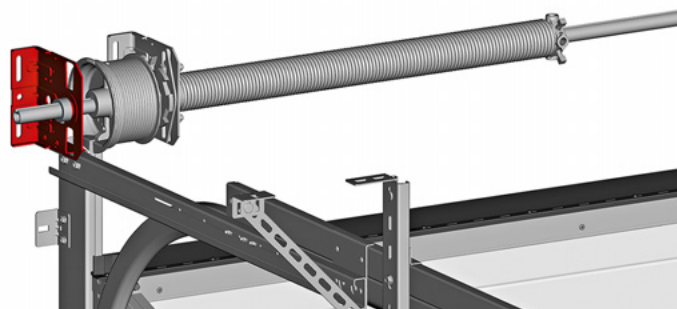
Материал .....	оцинкованная сталь
Вес, кг/шт. ....	0,397
Единица измерения .....	шт.
Норма поставки, шт. ....	48

Артикул	Код
IB-4509	403431800



## ШКИВЫ И КРОНШТЕЙНЫ ДЛЯ УСТАНОВКИ ТОРСИОННОГО ВАЛА

КРОНШТЕЙН БОКОВОЙ ДЛЯ ПРОМЫШЛЕННЫХ ВОРОТ СЕРИИ PROTREND



### Кронштейн боковой левый Кронштейн боковой правый

Предназначен для крепления торсионного вала к проему и профилю угловому.  
Применяется для промышленных ворот.

Диаметр вала, мм ..... 25,4  
Материал ..... оцинкованная сталь  
Единица измерения ..... шт.  
Норма поставки, шт. .... 15

Артикул	Код	Основные размеры, мм			Диаметр вала (d), мм	Вес, кг/шт.	Применение
		A	B	C			
TBI510ML	403422900	93	86	72,5	25,40	0,905	• для промышленных ворот стандартного и наклонного типов монтажа
TBI510MR	403423000						
TBI520ML	403423100	93	111	72,5	25,40	0,932	
TBI520MR	403423200						
TBI530ML	403423300	93	111	82,5	25,40	0,932	
TBI530MR	403423400						
TBI560ML	403423500	93	127	142,5	25,40	1,056	
TBI560MR	403423600						
TBI580L	403422300	93	152	142,5	31,75	1,550	
TBI580R	403422400						
TBI540ML	403423700	93	111	105,5	25,40	0,932	• для гаражных ворот высокого типа монтажа; • для промышленных ворот стандартного, наклонного типов монтажа, наклонного высокого с верхним расположением вала, высокого с верхним расположением вала типов монтажа
TBI540MR	403423800						
TBI550ML	403423900	113	127	124,5	25,40	1,049	• для гаражных ворот высокого типа монтажа; • для промышленных ворот высокого, наклонного высокого, вертикального типов монтажа с верхним расположением вала
TBI550MR	403424000						
TBI570ML	403424100	128	152	144,5	25,40	1,455	• для промышленных ворот высокого, наклонного высокого, вертикального типов монтажа с верхним расположением вала
TBI570MR	403424200						
TBI590L	403422500	128	152	144,5	31,75	1,590	
TBI590R	403422600						

## ШКИВЫ И КРОНШТЕЙНЫ ДЛЯ УСТАНОВКИ ТОРСИОННОГО ВАЛА

### Кронштейн опорный для вала

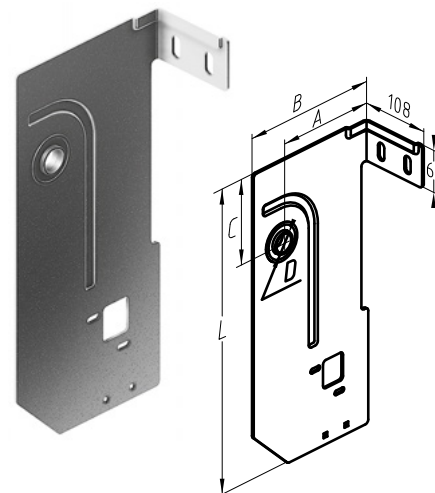
Предназначен для крепления торсионного вала к проему и профилю угловому.  
Используется в промышленных воротах низкого с передним расположением вала типом монтажа.

Материал ..... оцинкованная сталь

Единица измерения ..... шт.

Норма поставки, шт. .... 20

Артикул	Код	Вес, кг/шт.	Основные размеры				Диаметр (d), мм
			A	B	C	L	
TBI-600R	403424400	1,212	86	125	80	330	25,6
TBI-600L	403424300	1,212	86	125	80	330	25,6
TBI-610R	403424600	1,616	111	150	115	425	25,6
TBI-610L	403424500	1,616	111	150	115	425	25,6
TBI-630R	406136698	2,222	152	200	115	435	25,6
TBI-630L	406136697	2,222	152	200	115	435	25,6
TBI-640R	406136700	2,222	152	200	115	435	31,75
TBI-640L	406136699	2,222	152	200	115	435	31,75



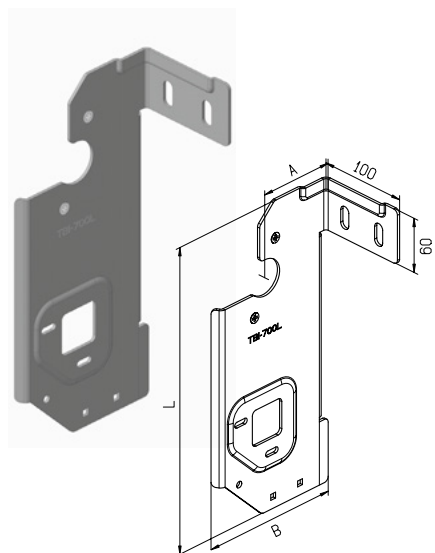
### Кронштейн опорный для вала

Предназначен для установки торсионного вала.  
Применяется в промышленных воротах низкого типа монтажа с передним расположением вала (тип 2).

Материал ..... оцинкованная сталь

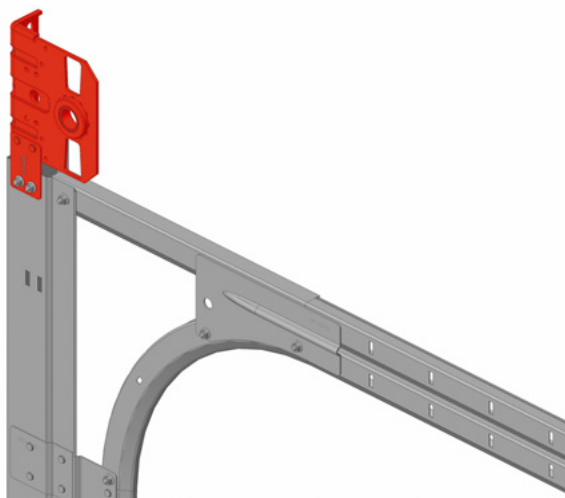
Единица измерения ..... шт.

Артикул	Код	Вес, кг/шт.	Основные размеры			Норма поставки, шт.
			A	B	L	
TBI-700L	406136806	1,075	86	149	340	16
TBI-700R	406136807	1,075	86	149	340	16
TBI-710L	406136808	1,225	111	159	355	10
TBI-710R	406136809	1,225	111	159	355	10
TBI-730L	406136810	1,914	152	204	435	10
TBI-730R	406136811	1,914	152	204	435	10



## ШКИВЫ И КРОНШТЕЙНЫ ДЛЯ УСТАНОВКИ ТОРСИОННОГО ВАЛА

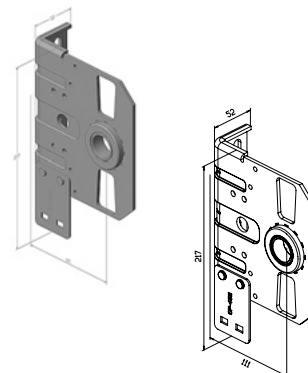
КРОНШТЕЙН БОКОВОЙ ДЛЯ ГАРАЖНЫХ ВОРОТ СЕРИИ TREND



### Кронштейн опорный для вала

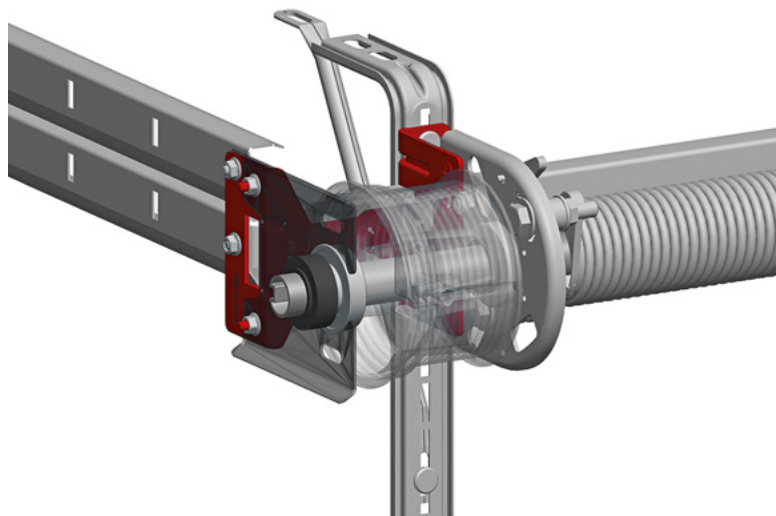
Предназначен для установки торсионного вала.  
Применяется в гаражных воротах высокого типа монтажа.

Материал ..... оцинкованная сталь  
Единица измерения ..... шт.  
Норма поставки, шт. .... 20



Артикул	Код	Применение
TBI-4512R	403424700	Правый
TBI-4512L	403424800	Левый

## ШКИВЫ И КРОНШТЕЙНЫ ДЛЯ УСТАНОВКИ ТОРСИОННОГО ВАЛА

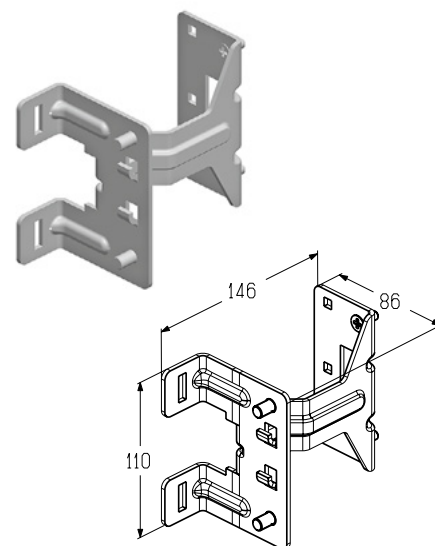


### Кронштейн

Предназначен для крепления горизонтальных направляющих к мерной планке и для крепления торсионного вала.

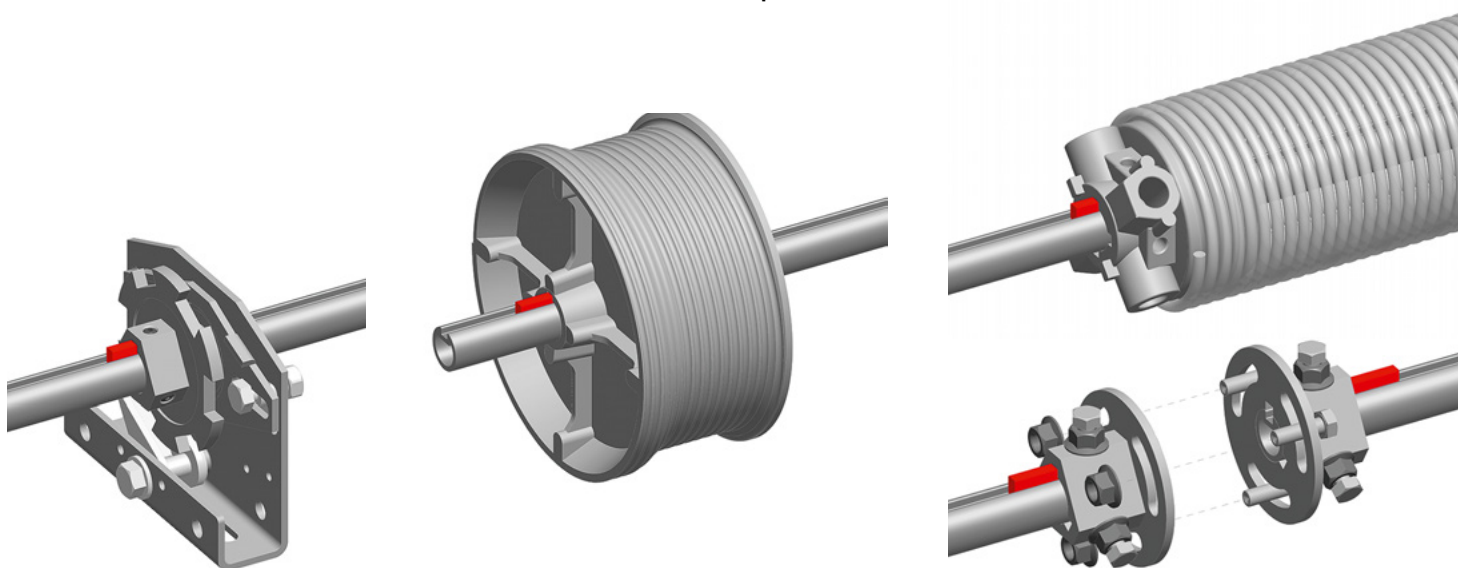
Используется в гаражных воротах с торсионными пружинами низкого типа монтажа.

Материал ..... оцинкованная сталь  
 Вес, кг/шт. .... 0,489  
 Единица измерения ..... шт.  
 Норма поставки, шт. .... 20



Артикул	Код	Применение
TBT-916L	402611700	Левый
TBT-916R	402611800	Правый

## ШПОНКИ И КОЛЬЦА СТОПОРНЫЕ

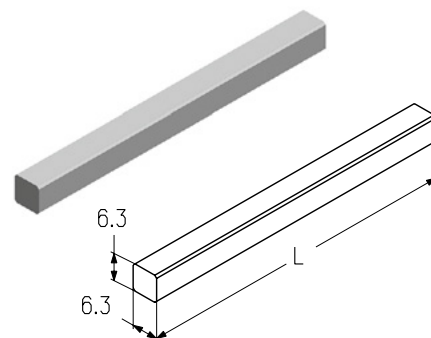


### Шпонка

Предназначена для установки на вал сплошной (**TSS, TSS-5/4**).

Материал ..... оцинкованная сталь  
Единица измерения ..... шт.

Артикул	Код	Длина (L), мм	Вес, кг/шт.	Применение	Норма поставки, шт.
SKS-38	403970000	38	0,015	Устанавливается в храповую и соединительную муфты	1000
SKS-75	403970100	75	0,026	Устанавливается в барабан и наконечник пружинный ( <b>SF-95, SF-152, SF-152-5/4</b> )	800

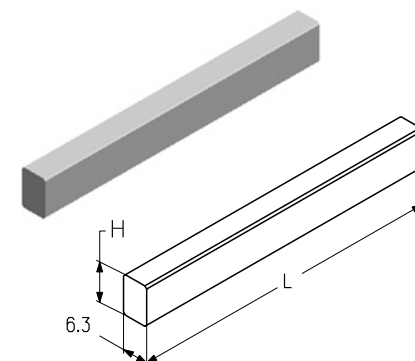


### Шпонка

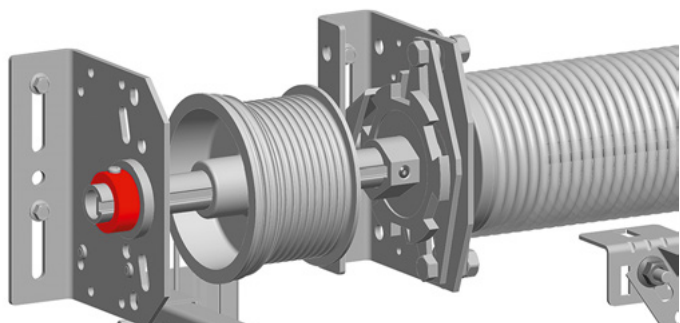
Предназначена для установки на вал пустотелый (**TSH**).

Материал ..... оцинкованная сталь  
Единица измерения ..... шт.

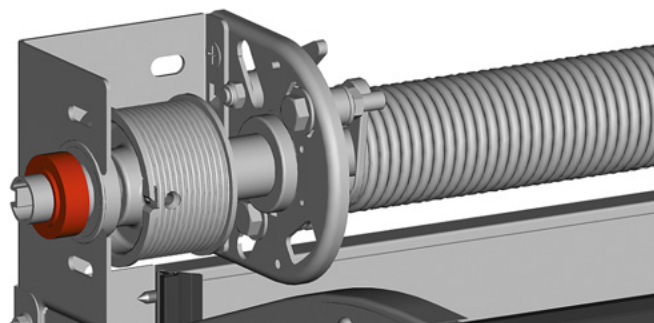
Артикул	Код	Длина (L), мм	Высота (H), мм	Вес, кг/шт.	Применение	Норма поставки, шт.
SKH-38	403970200	38	9,5	0,180	Устанавливается в храповую и соединительную муфты	1200
SKH-75×10	418700327	75	10	0,210	Устанавливается в барабан и наконечник пружинный ( <b>SF-95, SF-152, SF-152-5/4</b> )	600



## ШПОНКИ И КОЛЬЦА СТОПОРНЫЕ



Установка кольца промышленных ворот



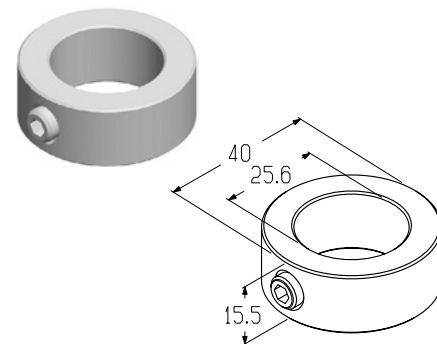
Установка кольца гаражных ворот

**Кольцо**

Предназначено для установки на вал диаметром 25,4 мм промышленных ворот всех типов монтажа, гаражных ворот с торсионными пружинами всех типов монтажа. Предотвращает осевое смещение вала.

Материал ..... оцинкованная сталь  
 Вес, кг/шт. .... 0,1  
 Единица измерения ..... шт.  
 Норма поставки, шт. .... 200

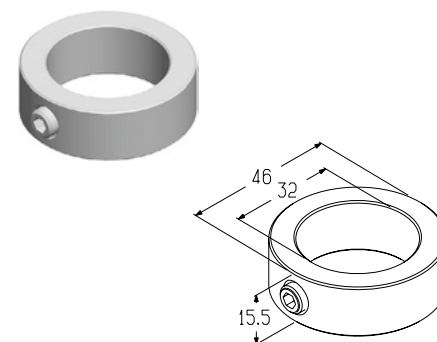
Артикул	Код
SCI-1	403960000

**Кольцо**

Предназначено для установки на вал диаметром 31,75 мм промышленных ворот всех типов монтажа. Предотвращает осевое смещение вала.

Материал ..... оцинкованная сталь  
 Вес, кг/шт. .... 0,15  
 Единица измерения ..... шт.  
 Норма поставки, шт. .... 100

Артикул	Код
SCI-5/4	403960100



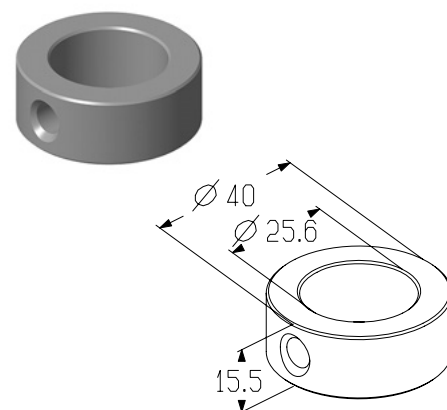
## ШПОНКИ И КОЛЬЦА СТОПОРНЫЕ

### Кольцо

Предназначено для установки на вал диаметром 25,4 мм промышленных ворот всех типов монтажа и гаражных ворот с торсионными пружинами всех типов монтажа.  
Предотвращает осевое смещение вала.

Материал ..... оцинкованная сталь  
Единица измерения ..... шт.  
Норма поставки, шт. .... 200

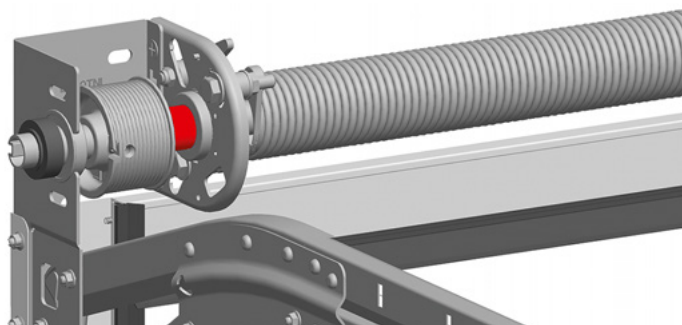
Артикул	Код
SCU-25	418700429





## ШПОНКИ И КОЛЬЦА СТОПОРНЫЕ

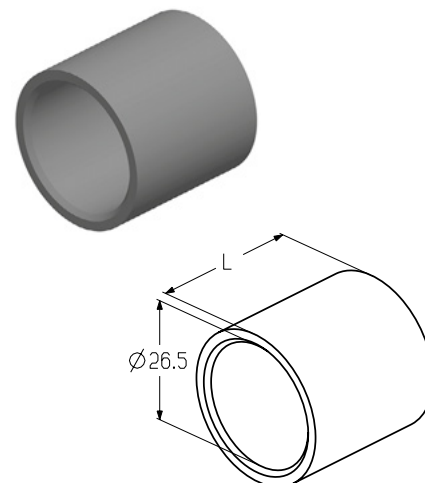
## КОЛЬЦО ДИСТАНЦИОННОЕ

**Кольцо дистанционное**

Применяется для установки на вал диаметром 25,4 мм гаражных ворот с торсионными пружинами всех типов монтажа.

Предназначен для позиционирования барабана (**CD010N** и **CD012N**) относительно муфты храповой предохранительной (**SBD-TR/L**).

Материал ..... PE-HD  
 Вес, кг/шт. .... 0,001  
 Единица измерения ..... шт.



Артикул	Код	Длина (L), мм	Применение	Норма поставки, шт.
DR-CD010	403961100	32	Совместно с барабаном ( <b>CD010N</b> )	5200
DR-CD012	403961200	6	Совместно с барабаном ( <b>CD012N</b> )	6000



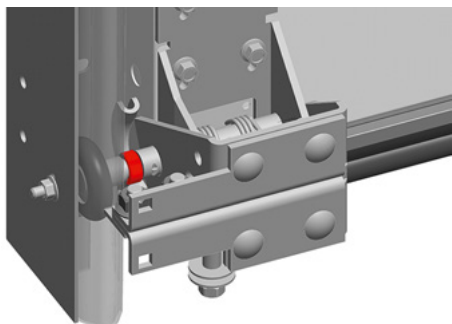
# 2

Дополнительная  
комплектация

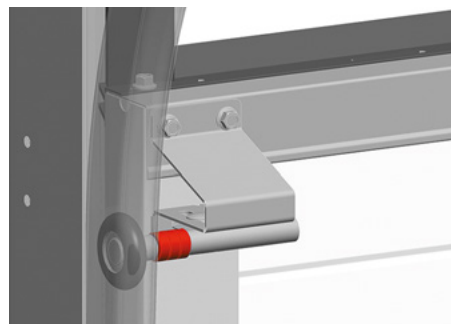
---



## УСТАНОВКА КОЛЕЦ ДИСТАНЦИОННЫХ



Кронштейн нижний



Кронштейн верхний

### Кольцо дистанционное

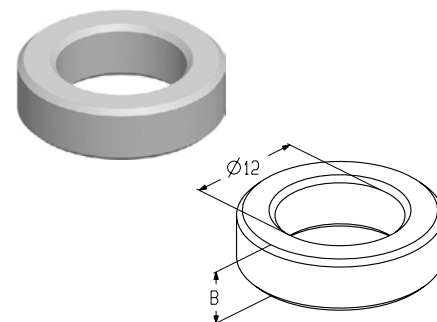
Предназначено для установки на ролики ходовые кронштейна верхнего (**RBI-40.127**) и кронштейна нижнего (**RBI-40.100R/L**, **RBI-40.100DR/L**, **RBI-40.110R/L**, **RBI-40.110DR/L**).

Используется в гаражных воротах высокого типа монтажа, промышленных воротах всех типов монтажа.

Предназначено для установки на ось шкива.

Используется в промышленных воротах низкого, низкого с передним расположением вала, низкого с передним расположением вала (тип 2) и наклонного низкого типов монтажа.

Внутренний диаметр, мм ..... 12  
 Материал ..... оцинкованная сталь  
 Единица измерения ..... шт.  
 Норма поставки, шт. .... 200



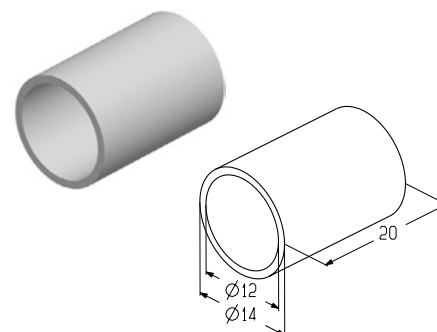
Артикул	Код	Ширина (B), мм	Вес, кг/шт.
DR-12-05	403960600	5	0,004
DR-12-07	403960700	7	0,006
DR-12-10	403960800	10	0,008

### Втулка

Предназначена для предохранения троса от истирания. Устанавливается на ролики ходовые первого и второго снизу кронштейна бокового (**RBI-40.123**).

Используется в промышленных воротах высокого, вертикального, наклонного высокого типов монтажа с нижним расположением вала.

Материал ..... ПВХ  
 Вес, кг/шт. .... 0,154  
 Единица измерения ..... шт.  
 Норма поставки, шт. .... 50



Артикул	Код
I0500	403900000

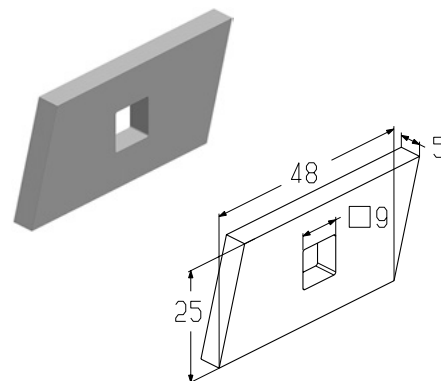
## УСТАНОВКА КОЛЕЦ ДИСТАНЦИОННЫХ

### Пластина закладная

Предназначена для:

- крепления демпфера к горизонтальным направляющим в промышленных воротах всех типов монтажа;
- крепления блока (**HKU-002**) в гаражных воротах с пружинами растяжения и торсионными пружинами всех типов монтажа, промышленных воротах всех типов монтажа, кроме вертикального, высокого, наклонного высокого с нижним расположением вала.

Материал ..... оцинкованная сталь  
 Вес, кг/шт. .... 0,04  
 Единица измерения ..... шт.  
 Норма поставки, шт. .... 100



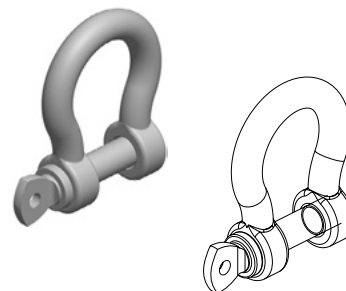
Артикул	Код
CP0506	403900100

### Петля

Предназначена для крепления веревки (**105610**) к профилю угловому.

Используется в промышленных воротах всех типов монтажа, кроме низкого и наклонного низкого.

Материал ..... оцинкованная сталь  
 Вес, кг/шт. .... 0,04  
 Единица измерения ..... шт.  
 Норма поставки, шт. .... 100



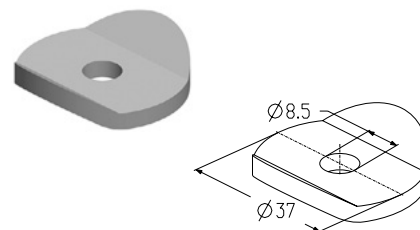
Артикул	Код
S0504	403900900

### Крепление

Предназначено для крепления веревки (**105610**) к кронштейну нижнему (**RBI-40.100R/L, RBI-40.100DR/L, RBI-40.110R/L, RBI-40.110DR/L, RBI-40.120R/L, RBI-40.120DR/L**).

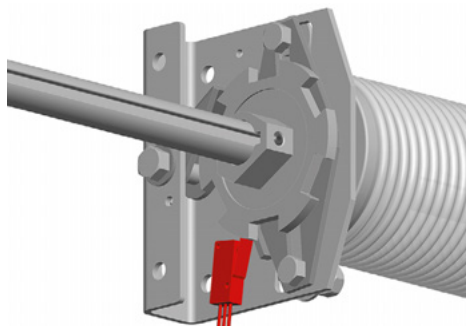
Используется в промышленных воротах всех типов монтажа.

Материал ..... оцинкованная сталь  
 Вес, кг/шт. .... 0,04  
 Единица измерения ..... шт.  
 Норма поставки, шт. .... 100



Артикул	Код
RC0505	403901000

## УСТАНОВКА ДАТЧИКОВ БЕЗОПАСНОСТИ

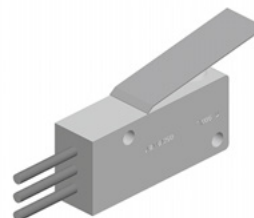


### Микрореле

Предназначено для остановки электропривода при поломке пружины. Устанавливается совместно с муфтой храповой предохранительной.

Используется в промышленных воротах всех типов монтажа.

Вес, кг/шт. .... 0,03  
 Единица измерения ..... шт.  
 Норма поставки, шт. .... 50



Артикул	Код
SS0402	403900200

1.1

1.2

1.3

1.4

1.5

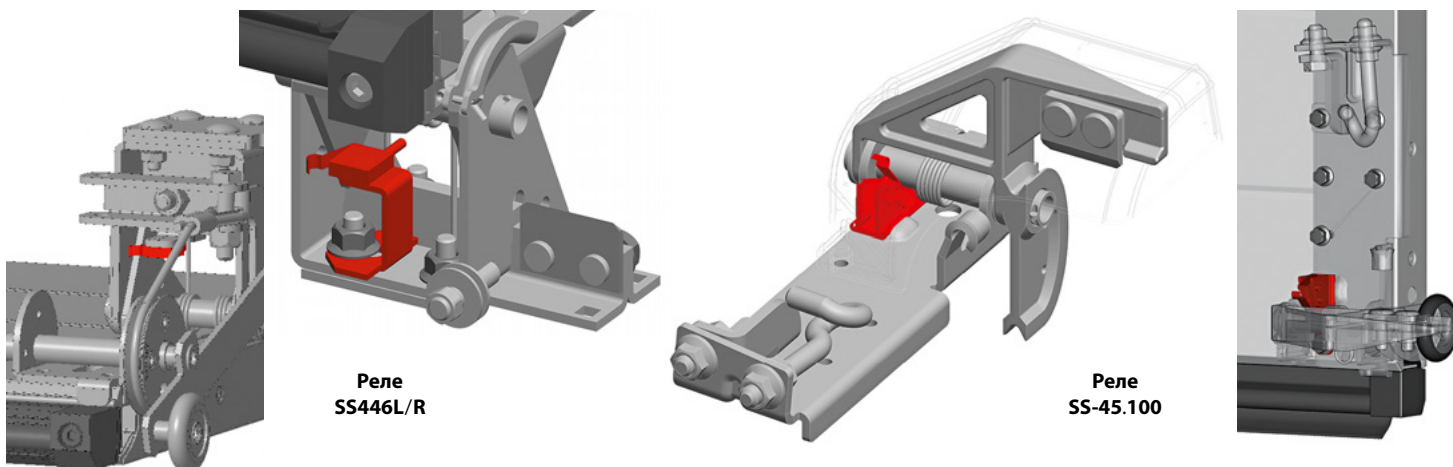
2

3

4

## УСТАНОВКА ДАТЧИКОВ БЕЗОПАСНОСТИ

НА КРОНШТЕЙНЫ НИЖНИЕ



### Реле

Предназначено для остановки электропривода при обрыве троса. Устанавливается совместно с кронштейном нижним (**RBI-40.110L/R, RBI-40.110DL/R, RBI-40.120L/R, RBI-40.120DL/R, RBI-40.200L/R**).

Используется в промышленных воротах всех типов монтажа.

Вес, кг/шт. ....	0,6
Единица измерения .....	шт.
Норма поставки, шт. ....	25

Артикул	Код	Применение
SS446L	403900300	Левое
SS446R	403900400	Правое



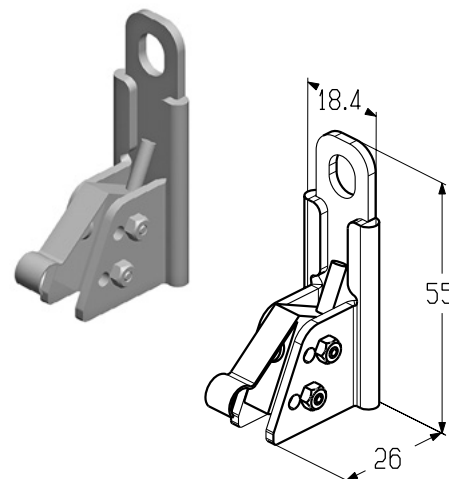
### Реле

Предназначено для остановки электропривода при обрыве троса. Устанавливается совместно с кронштейном нижним (**RBI-40.100R/L, RBI-40.100DR/L**).

Используется в промышленных воротах всех типов монтажа.

Вес, кг/шт. ....	0,037
Единица измерения .....	шт.
Норма поставки, шт. ....	200

Артикул	Код
SS-45.100	418700330





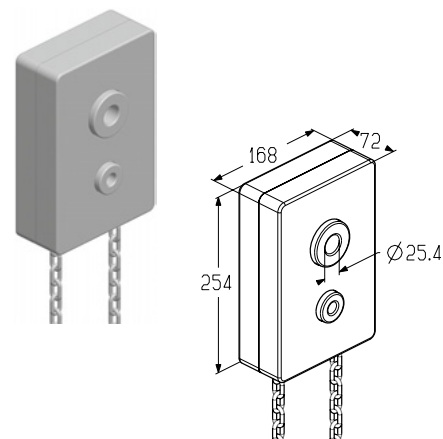
## УСТАНОВКА ДАТЧИКОВ БЕЗОПАСНОСТИ

### Редуктор цепной

Предназначен для подъема/опускания полотна ворот.  
Используется в промышленных воротах всех типов монтажа.

Вес, кг/шт. .... 5  
Единица измерения ..... шт.  
Норма поставки, шт. .... 1

Артикул	Код
CH0501	403900500

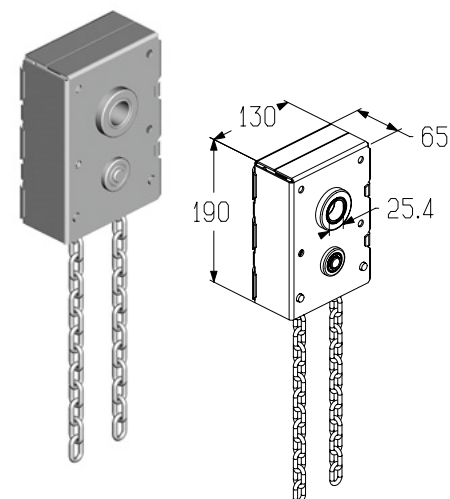


### Редуктор цепной для гаражных ворот

Предназначен для подъема/опускания полотна ворот.  
Используется в гаражных воротах всех типов монтажа (кроме пружин растяжения).

Вес, кг ..... 5,8  
Единица измерения ..... шт.  
Норма поставки, шт. .... 1

Артикул	Код
CH-5013	403903000

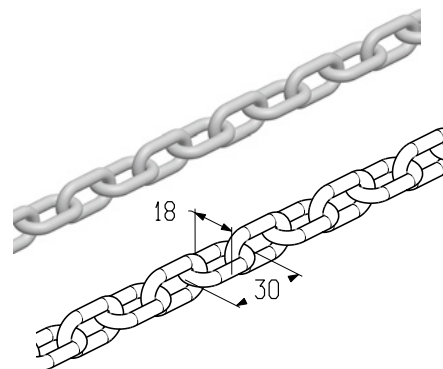


### Цепь

Предназначена для удлинения цепи редуктора цепного (**CH0501** и **CH5013**).  
Используется в промышленных и гаражных воротах всех типов монтажа.

Материал ..... оцинкованная сталь  
Вес, кг/м ..... 0,5  
Единица измерения ..... м  
Норма поставки, м ..... 25

Артикул	Код
C0502G	418700130



## УСТАНОВКА ДАТЧИКОВ БЕЗОПАСНОСТИ

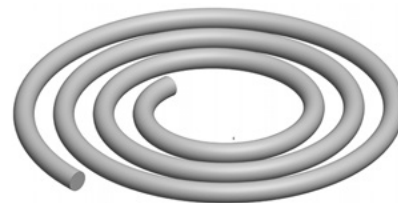
### Веревка

Предназначена для опускания полотна ворот. Используется в гаражных и промышленных воротах всех типов монтажа.

Вес, кг/м ..... 0,04

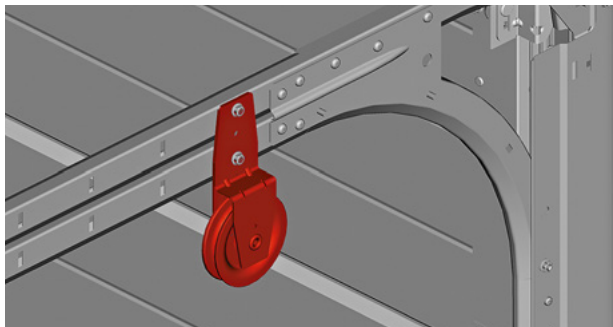
Единица измерения ..... м

Норма поставки, м ..... 250

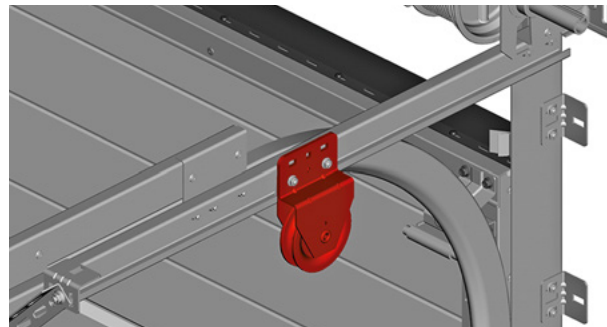


Артикул	Код
105610	4000607

## УСТАНОВКА БЛОКА



**Блок (HKU-002) для гаражных ворот**

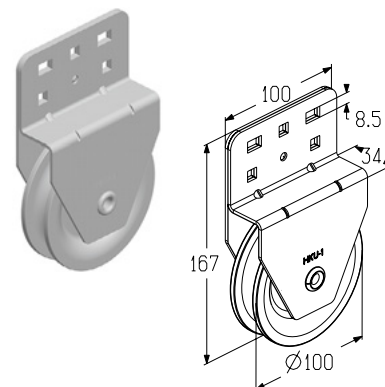


**Блок (HKU001) для промышленных ворот**

### Блок

Предназначен для подъема/опускания полотна ворот.  
Используется в промышленных воротах всех типов монтажа.

Вес, кг/шт. .... 0,61  
Единица измерения ..... шт.  
Норма поставки, шт. .... 10

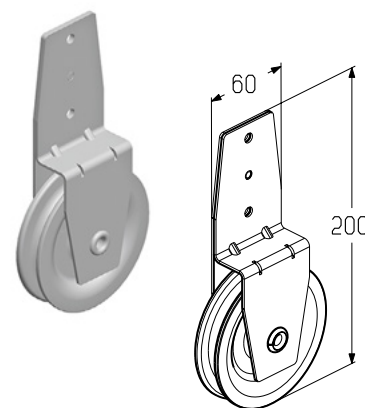


Артикул	Код
HKU001	403900800

### Блок

Предназначен для подъема/опускания полотна ворот.  
Используется в гаражных воротах с пружинами растяжения и торсионными пружинами всех типов монтажа.

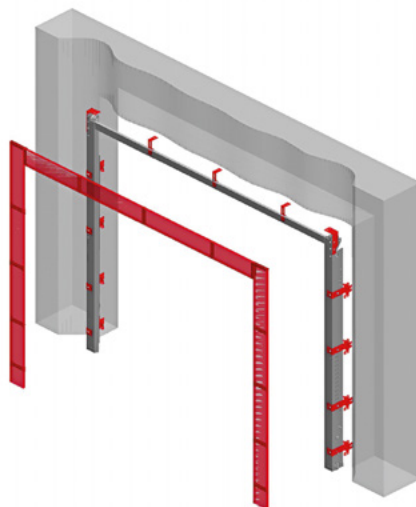
Вес, кг/шт. .... 0,5  
Единица измерения ..... шт.  
Норма поставки, шт. .... 54



Артикул	Код
HKU-002	403902300

## УСТАНОВКА КОМПЛЕКТА ВСТРОЕННОГО МОНТАЖА

### МОНТАЖ В ПРОЕМ



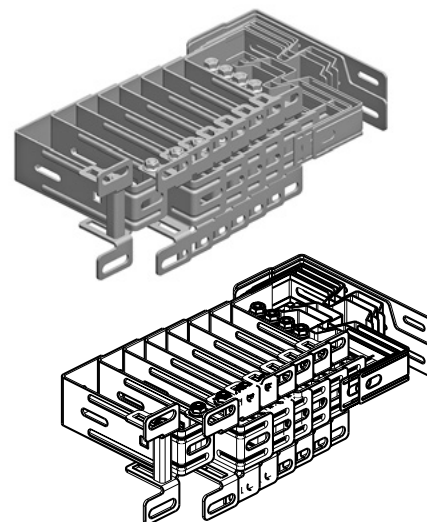
### Комплект кронштейнов

Предназначен для крепления углового профиля (**PRG-30**) и профиля переднего (**PRG-35**) к проему. Входит в состав комплекта встроенного монтажа **FWO100/145-40** и **FWO145/145-40**.

Используется в гаражных воротах с пружинами растяжения и торсионными пружинами низкого типа монтажа. Состав комплекта:

- кронштейн профиля углового (**B-3510FWO**) — 8 шт.;
- кронштейн профиля углового (**B-3511FWOL**) — 1 шт.;
- кронштейн профиля углового (**B-3511FWOR**) — 1 шт.;
- кронштейн профиля переднего (**B-3512FWO**) — 3 шт. (монтаж перед проемом)  
или кронштейн профиля переднего (**B-3513FWO**) — 3 шт. (монтаж в проеме).

Вес, кг/шт. .... 4,69  
Единица измерения ..... шт.  
Норма поставки, шт. .... 1



Артикул	Код
FWO100/145B-40	402952300

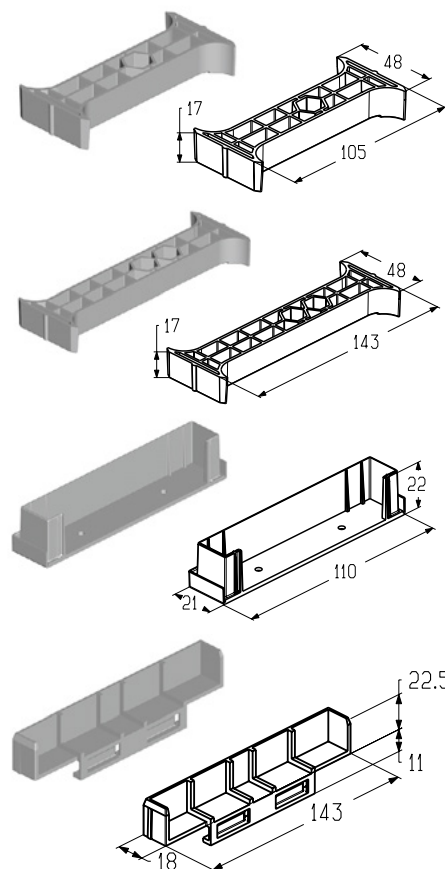
### Комплект крепежный

Предназначен для крепления комплекта нащельников (**FWO100C**) к угловому профилю (**PRG-30**).  
Входит в состав комплекта встроеного монтажа **FWO100/145-40**.  
Используется в гаражных воротах с пружинами растяжения и торсионными пружинами низкого типа монтажа. Состав комплекта:

- сухарь для крепления боковых нащельников (8 шт.);
- сухарь для крепления профиля переднего (4 шт.);
- заглушка для нащельников (4 шт.);
- заглушка для верхнего нащельника (2 шт.).

Вес, кг/шт. .... 0,529  
Единица измерения ..... шт.  
Норма поставки, шт. .... 1

Артикул	Код
FWO100F	402950800



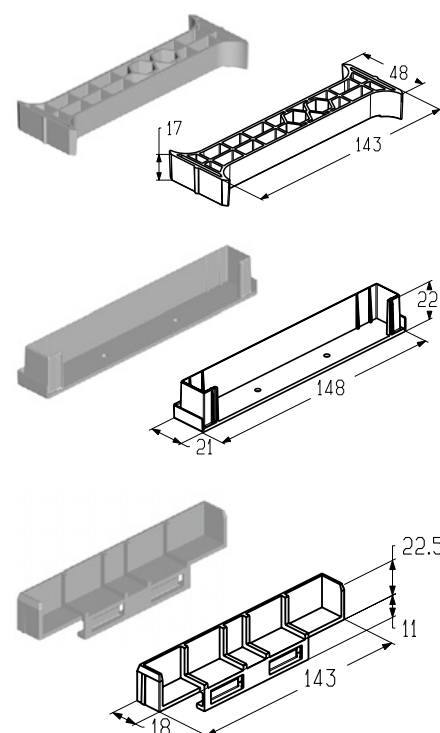
### Комплект крепежный

Предназначен для крепления комплекта нащельников (**FWO145C**) к угловому профилю (**PRG-30**).  
Входит в состав комплекта встроеного монтажа **FWO145/145-40**.  
Используется в гаражных воротах с пружинами растяжения и торсионными пружинами низкого типа монтажа. Состав комплекта:

- сухарь для крепления верхнего и боковых нащельников (12 шт.);
- заглушка для нащельников (4 шт.);
- заглушка для верхнего нащельника (2 шт.).

Вес, кг/шт. .... 0,584  
Единица измерения ..... шт.  
Норма поставки, шт. .... 1

Артикул	Код
FWO145F	402951200



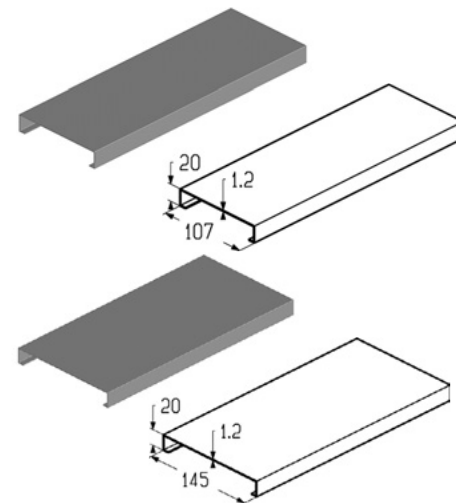
### Комплект нащельников

Предназначен для установки совместно с угловым профилем (**PRG-30**). Входит в состав комплекта встроенного монтажа **FWO100/145-40**.

Используется в гаражных воротах с пружинами растяжения и торсионными пружинами низкого типа монтажа. Состав комплекта:

- профиль воротный **PRD33** (боковой нащельник 2 шт.);
- профиль воротный **PRD34** (верхний нащельник 1 шт.).

Материал ..... алюминий  
 Покрытие ..... полимерное  
 Цвет\* ..... RAL 9016, RAL 8014, RAL 8017, ADS703  
 Единица измерения ..... к-т  
 Норма поставки, к-т ..... 1



Артикул	Код
FWO100C	402950900

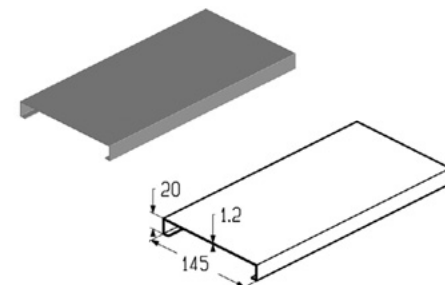
### Комплект нащельников

Предназначен для установки совместно с угловым профилем (**PRG-30**). Входит в состав комплекта встроенного монтажа **FWO145/145-40**.

Используется в гаражных воротах с пружинами растяжения и торсионными пружинами низкого типа монтажа. Состав комплекта:

- профиль воротный **PRD34** (верхний нащельник 1 шт., боковой нащельник 2 шт.).

Материал ..... алюминий  
 Покрытие ..... полимерное  
 Цвет\* ..... RAL 9016, RAL 8014, RAL 8017, ADS703  
 Единица измерения ..... к-т  
 Норма поставки, к-т ..... 1

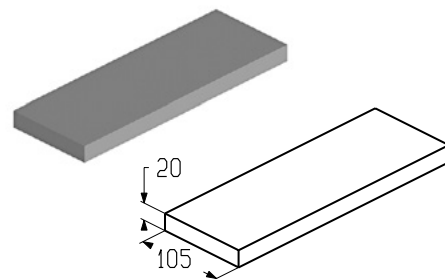


Артикул	Код
FWO145C	402951300

### Утеплитель

Предназначен для установки совместно с комплектом нащельников (**FWO100C**).

Материал ..... вспененный полиэтилен  
 Вес, кг/м ..... 0,07  
 Единица измерения ..... м  
 Норма поставки, м ..... 50

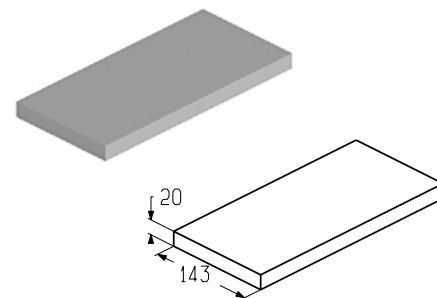


Артикул	Код
FWO100H	402951700

### Утеплитель

Предназначен для установки совместно с комплектом нащельников (FWO145C).

Материал ..... вспененный полиэтилен  
 Вес, кг/м ..... 0,1  
 Единица измерения ..... м  
 Норма поставки, м ..... 50



Артикул	Код
FWO145H	402951800

1.1

1.2

1.3

1.4

1.5

**2**

3

4





З

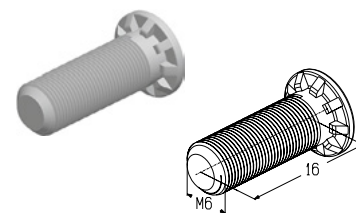
Метизы

---



**Болт М6×16**

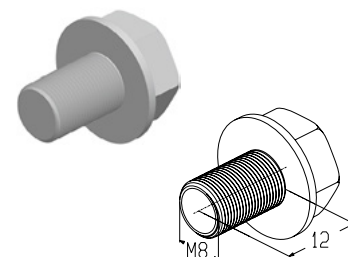
Резьба .....	M6
Длина, мм .....	16
Материал .....	оцинкованная сталь
Вес, кг/шт. ....	0,007
Единица измерения .....	шт.
Норма поставки, шт. ....	5000



Артикул	Код
M6x16BP	408320100

**Болт**

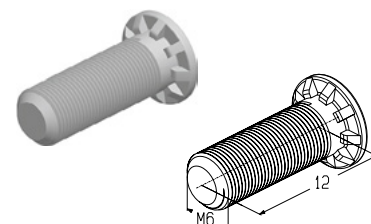
Резьба .....	M8
Длина, мм .....	12
Материал .....	оцинкованная сталь
Вес, кг/шт. ....	0,01
Единица измерения .....	шт.
Норма поставки, шт. ....	1800



Артикул	Код
M8x12B	408320300

**Пресс-болт**

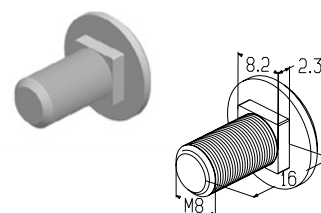
Резьба .....	M6
Длина, мм .....	12
Материал .....	оцинкованная сталь
Вес, кг/шт. ....	0,024
Единица измерения .....	шт.
Норма поставки, шт. ....	10000



Артикул	Код
M6x12BP	408320500

**Болт М8×16**

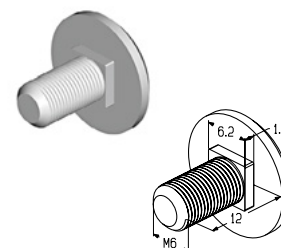
Резьба .....	M8
Длина, мм .....	16
Материал .....	оцинкованная сталь
Вес, кг/шт. ....	0,006
Единица измерения .....	шт.
Норма поставки, шт. ....	2500



Артикул	Код
M8x16BKL	408320800

**Болт**

Резьба .....	M6
Длина, мм .....	12
Материал .....	оцинкованная сталь
Вес, кг/шт. ....	0,008
Единица измерения .....	шт.
Норма поставки, шт. ....	3000

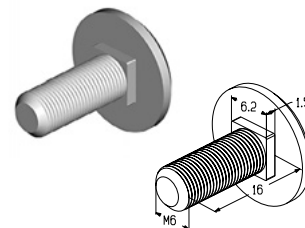


Артикул	Код
M6x12BKL	408321000

**Болт**

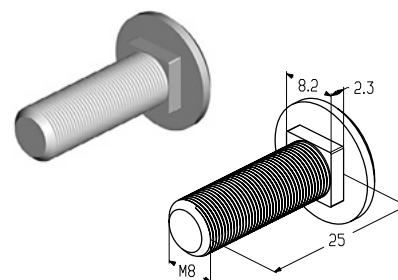
Резьба .....	M6
Длина, мм .....	16
Материал .....	оцинкованная сталь
Вес, кг/шт. ....	0,006
Единица измерения .....	шт.
Норма поставки, шт. ....	3500

Артикул	Код
M6×16BKL	408310200


**Болт**

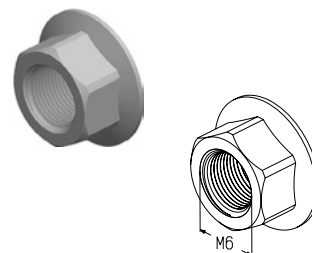
Резьба .....	M8
Длина, мм .....	25
Материал .....	оцинкованная сталь
Вес, кг/шт. ....	0,01
Единица измерения .....	шт.
Норма поставки, шт. ....	1500

Артикул	Код
M8×25BKL	408310500


**Гайка M6**

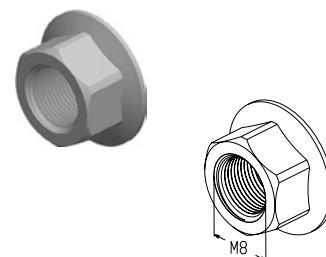
Резьба .....	M6
Материал .....	оцинкованная сталь
Вес, кг/шт. ....	0,003
Единица измерения .....	шт.
Норма поставки, шт. ....	7000

Артикул	Код
M6N	408120100


**Гайка M8**

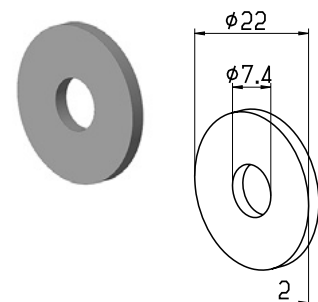
Резьба .....	M8
Материал .....	оцинкованная сталь
Вес, кг/шт. ....	0,007
Единица измерения .....	шт.
Норма поставки, шт. ....	3500

Артикул	Код
M8N	408120200


**Шайба**

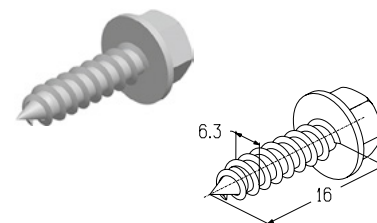
Материал .....	оцинкованная сталь
Вес, кг/шт. ....	0,005
Единица измерения .....	шт.
Норма поставки, шт. ....	10

Артикул	Код
M7 DIN9021	419410189



**Винт самонарезающий 6,3×16**

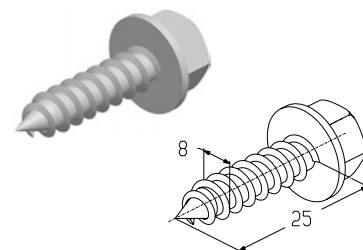
Диаметр, мм	6,3
Длина, мм	16
Материал	оцинкованная сталь с антикоррозийной химической конверсионной пленкой и термообработанным керамическим слоем
Вес, кг/шт.	0,006
Единица измерения	шт.
Норма поставки, шт.	3500



Артикул	Код
6,3×16S	408020100

**Винт самонарезающий**

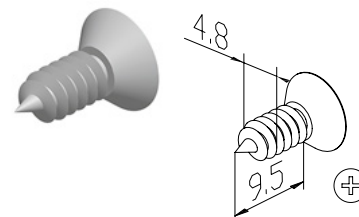
Диаметр, мм	8
Длина, мм	25
Материал	оцинкованная сталь
Вес, кг/шт.	0,0014
Единица измерения	шт.
Норма поставки, шт.	1000



Артикул	Код
8×25S	408020200

**Винт самонарезающий DIN7982**

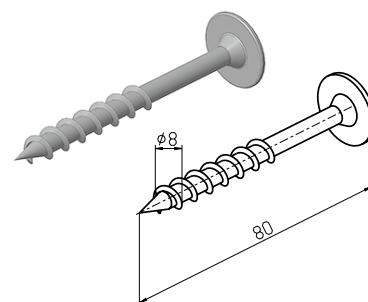
Диаметр, мм	4,8
Длина, мм	9,5
Материал	оцинкованная сталь
Вес, кг/шт.	0,25
Единица измерения	шт.
Норма поставки, шт.	13 000



Артикул	Код
4,8×9,5SDX	408620000

**Саморез по дереву TOR×40 8×80**

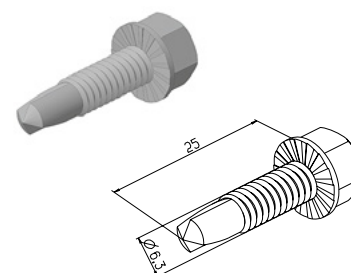
Диаметр, мм	8
Длина, мм	80
Материал	оцинкованная сталь
Вес, кг/шт.	0,001
Единица измерения	шт.
Норма поставки, шт.	10



Артикул	Код
8×80S	419410165

**Саморез 6,3×25 DIN7504K**

Диаметр, мм	6,3
Длина, мм	25
Материал	оцинкованная сталь
Вес, кг/шт.	0,008
Единица измерения	шт.
Норма поставки, шт.	10

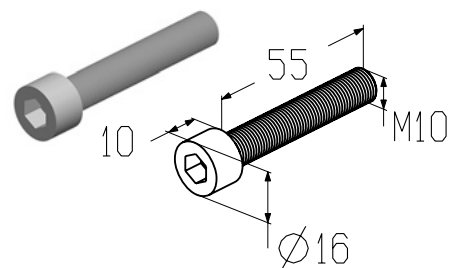


Артикул	Код
6,3×25SDR	419410154

**Винт DIN912**

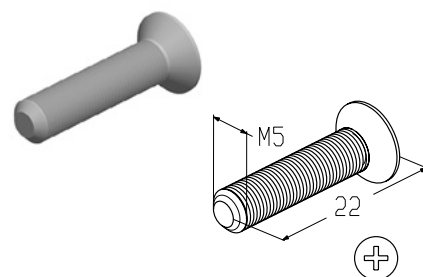
Резьба .....	M10
Длина, мм .....	55
Материал .....	оцинкованная сталь
Вес, кг/шт. ....	0,02
Единица измерения .....	шт.
Норма поставки, шт. ....	1000

Артикул	Код
M10×55SCOL	408020800


**Винт DIN965**

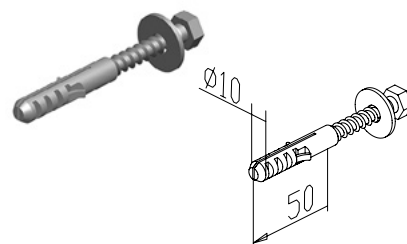
Резьба .....	M5
Длина, мм .....	22
Материал .....	оцинкованная сталь
Вес, кг/шт. ....	0,003
Единица измерения .....	шт.
Норма поставки, шт. ....	800

Артикул	Код
M5×22SDX	408020900


**Дюбель**

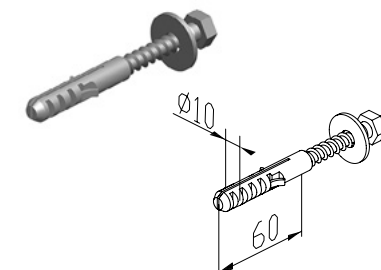
Диаметр, мм .....	10
Длина, мм .....	50
Материал .....	нейлон/оцинкованная сталь
Вес, кг/шт. ....	0,023
Единица измерения .....	шт.
Норма поставки, шт. ....	1000

Артикул	Код
10×50D	408800100


**Дюбель**

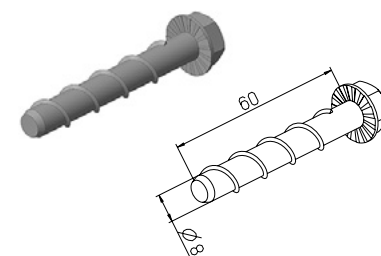
Диаметр, мм .....	10
Длина, мм .....	60
Материал .....	нейлон/оцинкованная сталь
Вес, кг/шт. ....	0,023
Единица измерения .....	шт.
Норма поставки, шт. ....	1000

Артикул	Код
SXR 10×60 FUS	408800600


**Анкер-шуруп CS-H 8×60**

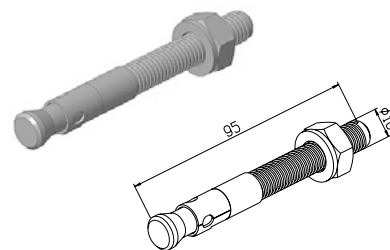
Диаметр, мм .....	8
Длина, мм .....	60
Материал .....	сталь
Вес, кг/шт. ....	0,030
Единица измерения .....	шт.
Норма поставки, шт. ....	10

Артикул	Код
8×60STX	419410168



**Анкерный болт с гайкой SHF 10×95**

Диаметр, мм .....	10
Длина, мм .....	95
Материал .....	нержавеющая сталь
Вес, кг/шт. ....	0,067
Единица измерения .....	шт.
Норма поставки, шт. ....	10



Артикул	Код
10×95A	419410167

1.1

1.2

1.3

1.4

1.5

2

3

4





# 4

Ремонтные узлы

---




## ПРАВИЛА ПРИ ЗАКАЗЕ РЕМОНТНЫХ УЗЛОВ

В данной части каталога размещена информация о типовых ремонтных узлах для секционных ворот. Ремонтный узел является индивидуальным изделием, т.к. заказывается для конкретных ворот. В каталоге представлен типовой состав каждого ремонта, который может изменяться (но в пределах описанного состава) в зависимости от ворот, для которых он предназначен.

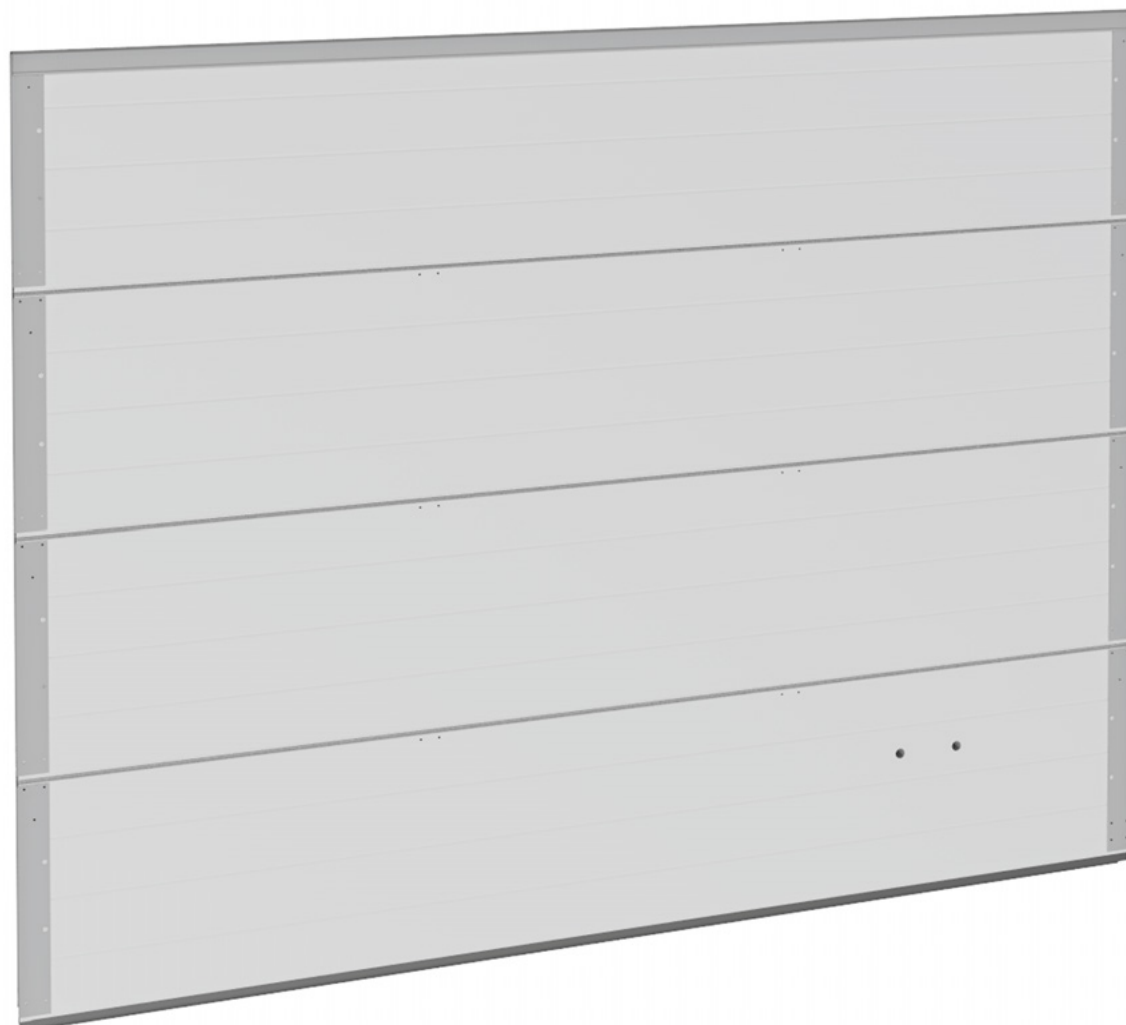
### ПРИ ЗАКАЗЕ РЕМОНТНОГО УЗЛА НЕОБХОДИМО УКАЗАТЬ:

1. Заводской номер ворот, указанный на табличке изделия.
2. Описание требуемого ремонтного узла.
3. Артикул и наименование ремонтного узла.

 																
ООО "Алутех Воротные Системы" 220075, Минская обл., Минский р-н, СЗЗ "Минск", ул. Селицкого, 10-508; Тел.: +375 (017) 330-11-00																
<b>ВОРОТА СЕКЦИОННЫЕ ПОДЪЕМНЫЕ</b> ТУ РБ 101452725.002-2000																
Тип:	СП.Р.Trend-TS,Г															
Заказ:	AS_5146447															
Заводской №:	11122402002854															
Размер ворот, мм:	2970x2970															
Масса полотна ворот, кг:	97															
Сопротивление теплопередаче, м <sup>2</sup> К/Вт:	0.67															
Число оборотов пружин:	10,4 ± 1															
Ресурс пружин, циклы:	25000															
<table border="1"> <thead> <tr> <th>д, мм</th> <th>D, мм</th> <th>L, мм</th> <th>Напр.</th> <th>тип</th> </tr> </thead> <tbody> <tr> <td>5.5</td> <td>67</td> <td>570</td> <td>R</td> <td>Regular</td> </tr> <tr> <td>5.5</td> <td>67</td> <td>570</td> <td>L</td> <td>Regular</td> </tr> </tbody> </table>	д, мм	D, мм	L, мм	Напр.	тип	5.5	67	570	R	Regular	5.5	67	570	L	Regular	
д, мм	D, мм	L, мм	Напр.	тип												
5.5	67	570	R	Regular												
5.5	67	570	L	Regular												
Дата производства:	08.11.2022															

## ПОЛОТНО ВОРОТ БЕЗ КАЛИТКИ

ТИПОВАЯ КОНСТРУКЦИЯ ПОЛОТНА ВОРОТ БЕЗ КАЛИТКИ



Панель верхняя

Панель промежуточная

Панель промежуточная

Панель нижняя

## ПОЛОТНО ВОРОТ БЕЗ КАЛИТКИ

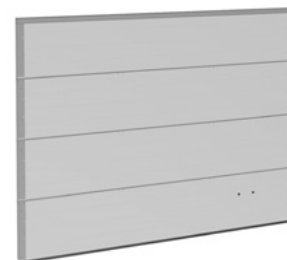
### Полотно воротное

Тип ворот:

- гаражные ворота Trend с торсионными пружинами без калитки всех типов монтажа;
- гаражные ворота Trend с пружинами растяжения;
- промышленные ворота ProTrend без калитки всех типов монтажа.

Состав: сэндвич-панели с боковыми накладками, профиль усиливающий (при ширине ворот от 5 м), верхний и нижний концевые профили, нижняя уплотнительная вставка, упоры нижние.

Единица измерения ..... шт.



Артикул	Тип полотна	Цвет*
GLG-3T	Микроволна, S-гофр	RAL 9016, 8014, 9006, 5010, 1015, 3004, 6005, 8017, 7016, ADS703**
	M-гофр	RAL 9016, 8014, 7016**
	L-гофр	RAL 9016, 8014, 7016, ADS703**
	S-, M-и L-гофр	Золотой дуб, Темный дуб, Вишня
	Микроволна, S-, M-и L-гофр	Другой цвет по каталогу RAL*, DB
GLG-4T	Филенка	RAL 9016, 8014**
		Золотой дуб, Темный дуб
		Другой цвет по каталогу RAL*, DB

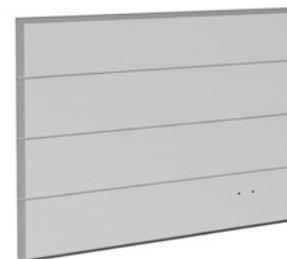
### Полотно воротное (фасадная система)

Тип ворот:

- гаражные ворота Trend с торсионными пружинами без калитки всех типов монтажа;
- гаражные ворота Trend с пружинами растяжения;
- промышленные ворота ProTrend без калитки всех типов монтажа.

Состав: сэндвич-панели с боковыми накладками, профиль усиливающий (при ширине ворот от 5 м), верхний и нижний концевые профили, нижняя уплотнительная вставка, упоры нижние.

Единица измерения ..... шт.



Артикул	Тип полотна	Цвет*
GLG-3T	Микроволна, S-гофр	RAL 9016, 8014, 9006, 5010, 1015, 3004, 6005, 8017, 7016, ADS703**
	M-гофр	RAL 9016, 8014, 7016**
	L-гофр	RAL 9016, 8014, 7016, ADS703**
	S-, M- и L-гофр	Золотой дуб, Темный дуб, Вишня
	Микроволна, S-, M- и L-гофр	Другой цвет по каталогу RAL*, DB

\* Указанные цвета имеют близкое соответствие шкале RAL.

\*\* Стандартные цвета. Цвета, указанные в формате RAL XXXX, имеют близкое соответствие шкале RAL.

## ПОЛОТНО ВОРОТ БЕЗ КАЛИТКИ

## Панель нижняя

Тип ворот:

- гаражные ворота Trend с торсионными пружинами без калитки всех типов монтажа;
- гаражные ворота Trend с пружинами растяжения;
- промышленные ворота ProTrend без калитки всех типов монтажа.

Состав: нижняя сэндвич-панель с боковыми накладками, нижний концевой профиль, нижняя уплотнительная вставка, упоры нижние.

Единица измерения ..... шт.



1.1

1.2

1.3

1.4

1.5

Артикул	Тип полотна	Цвет*
LPU-27T	Микроволна, S-гофр	RAL 9016, 8014, 9006, 5010, 1015, 3004, 6005, 8017, 7016, ADS703**
	M-гофр	RAL 9016, 8014, 7016**
	L-гофр	RAL 9016, 8014, 7016, ADS703**
	S-, M- и L-гофр	Золотой дуб, Темный дуб, Вишня
	Микроволна, S-, M- и L-гофр	Другой цвет по каталогу RAL*, DB
LPF-1T	Филенка	RAL 9016, 8014**
		Золотой дуб, Темный дуб
		Другой цвет по каталогу RAL*, DB

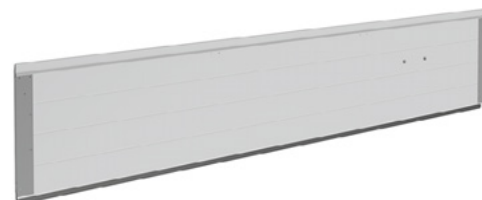
## Панель нижняя (фасадная система)

Тип ворот:

- гаражные ворота Trend с торсионными пружинами без калитки всех типов монтажа;
- гаражные ворота Trend с пружинами растяжения;
- промышленные ворота ProTrend без калитки всех типов монтажа.

Состав: нижняя сэндвич-панель с боковыми накладками, нижний концевой профиль, нижняя уплотнительная вставка, упоры нижние.

Единица измерения ..... шт.



2

3

Артикул	Тип полотна	Цвет*
LPU-27T	Микроволна, S-гофр	RAL 9016, 8014, 9006, 5010, 1015, 3004, 6005, 8017, 7016, ADS703**
	M-гофр	RAL 9016, 8014, 7016**
	L-гофр	RAL 9016, 8014, 7016, ADS703**
	S-, M- и L-гофр	Золотой дуб, Темный дуб, Вишня
	Микроволна, S-, M- и L-гофр	Другой цвет по каталогу RAL*, DB

\* Указанные цвета имеют близкое соответствие шкале RAL.

\*\* Стандартные цвета. Цвета, указанные в формате RAL XXXX, имеют близкое соответствие шкале RAL.

4

## Панель промежуточная

Тип ворот:

- гаражные ворота Trend с торсионными пружинами без калитки всех типов монтажа;
- гаражные ворота Trend с пружинами растяжения;
- промышленные ворота ProTrend без калитки всех типов монтажа.



Состав: промежуточная сэндвич-панель с боковыми накладками, профиль усиливающий (при ширине ворот от 5 м).

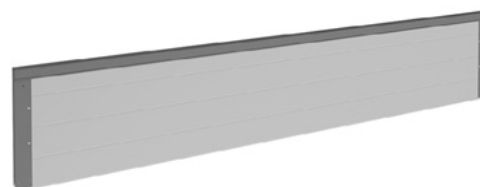
Единица измерения ..... шт.

Артикул	Тип полотна	Цвет*
LPU-28T	Микроволна, S-гофр	RAL 9016, 8014, 9006, 5010, 1015, 3004, 6005, 8017, 7016, ADS703**
	М-гофр	RAL 9016, 8014, 7016**
	L-гофр	RAL 9016, 8014, 7016, ADS703**
	S-, M- и L-гофр	Золотой дуб, Темный дуб, Вишня
	Микроволна, S-, M- и L-гофр	Другой цвет по каталогу RAL*, DB
LPF-2T	Филенка	RAL 9016, 8014**
		Золотой дуб, Темный дуб
		Другой цвет по каталогу RAL*, DB

## Панель верхняя

Тип ворот:

- гаражные ворота Trend с торсионными пружинами без калитки всех типов монтажа;
- гаражные ворота Trend с пружинами растяжения;
- промышленные ворота ProTrend без калитки всех типов монтажа.



Состав: верхняя сэндвич-панель с боковыми накладками, профиль усиливающий (при ширине ворот от 5 м), верхний концевой профиль, верхний уплотнитель (Trend высокий тип монтажа, ProTrend).

Единица измерения ..... шт.

Артикул	Тип полотна	Цвет*
LPU-29T	Микроволна, S-гофр	RAL 9016, 8014, 9006, 5010, 1015, 3004, 6005, 8017, 7016, ADS703**
	М-гофр	RAL 9016, 8014, 7016**
	L-гофр	RAL 9016, 8014, 7016, ADS703**
	S-, M- и L-гофр	Золотой дуб, Темный дуб, Вишня
	Микроволна, S-, M- и L-гофр	Другой цвет по каталогу RAL*, DB
LPF-3T	Филенка	RAL 9016, 8014**
		Золотой дуб, Темный дуб
		Другой цвет по каталогу RAL*, DB

\* Указанные цвета имеют близкое соответствие шкале RAL.

\*\* Стандартные цвета. Цвета, указанные в формате RAL XXXX, имеют близкое соответствие шкале RAL.

## ПОЛОТНО ВОРОТ С КАЛИТКОЙ

ТИПОВАЯ КОНСТРУКЦИЯ ПОЛОТНА ВОРОТ СО ВСТРОЕННОЙ КАЛИТКОЙ  
(на примере калитки с плоским порогом с правым открыванием)



Панель верхняя

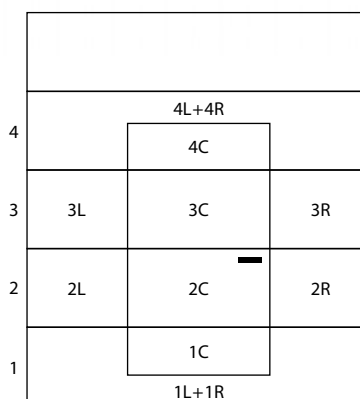
Панель промежуточная

Панель промежуточная

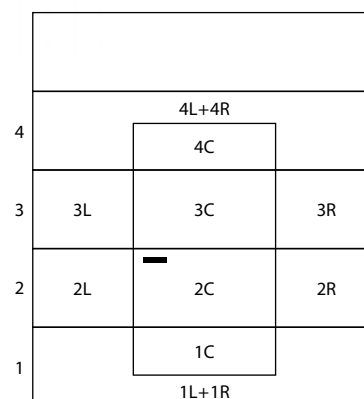
Панель промежуточная

Панель нижняя

Схематическое изображение калитки с правым исполнением



Схематическое изображение калитки с левым исполнением



при взгляде изнутри

## ПОЛОТНО ВОРОТ С КАЛИТКОЙ

### Полотно воротное

Тип ворот:

- гаражные ворота Trend с торсионными пружинами всех типов монтажа;
- промышленные ворота ProTrend всех типов монтажа.

Тип калитки:

- с плоским порогом 18 мм;
- с низким порогом 100 мм,
- со стандартным порогом 145 мм.

Состав: сэндвич-панели с боковыми накладками, верхний и нижний концевые профили, нижняя уплотнительная вставка, верхняя уплотнительная вставка (Trend высокий тип монтажа, ProTrend), комплект калиточных профилей с уплотнителями, пластина соединительная (для монтажа доводчика), шина доводчика, замок калитки (корпус, планка ригеля, ригель), усиливающие профили калитки, упоры нижние, контакт калитки.

Комплект ручек и цилиндрический механизм, доводчик и тяга доводчика в ремонтный узел не входят.

Единица измерения ..... шт.

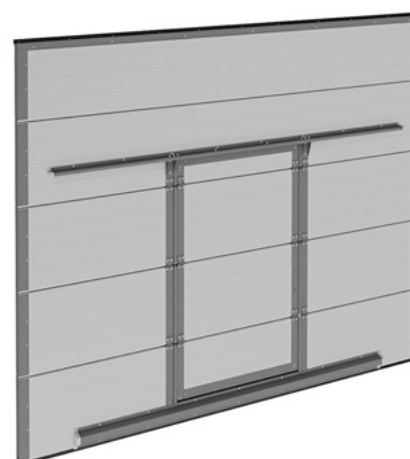
Артикул	Тип полотна	Цвет*	Применение
GLG-1T	Микроволна, S-гофр	RAL 9016, 8014, 9006, 5010, 1015, 3004, 6005, 8017, 7016, ADS703**	Для ворот с правой калиткой
	M-гофр	RAL 9016, 8014, 7016**	
	L-гофр	RAL 9016, 8014, 7016, ADS703**	
	S-, M- и L-гофр	Золотой дуб, Темный дуб, Вишня	
	Микроволна, S-, M- и L-гофр	Другой цвет по каталогу RAL*, DB	
GLG-2T	Микроволна, S-гофр	RAL 9016, 8014, 9006, 5010, 1015, 3004, 6005, 8017, 7016, ADS703**	Для ворот с левой калиткой
	M-гофр	RAL 9016, 8014, 7016**	
	L-гофр	RAL 9016, 8014, 7016*, ADS703**	
	S-, M- и L-гофр	Золотой дуб, Темный дуб, Вишня	
	Микроволна, S-, M- и L-гофр	Другой цвет по каталогу RAL*, DB	



Калитка с плоским порогом  
18 мм



Калитка с низким порогом  
100 мм



Калитка со стандартным порогом  
145 мм

\* Указанные цвета имеют близкое соответствие шкале RAL.

\*\* Стандартные цвета. Цвета, указанные в формате RAL XXXX, имеют близкое соответствие шкале RAL.



**Панели полотна ворот с калиткой**

Тип ворот:

- гаражные ворота Trend с торсионными пружинами всех типов монтажа;
- промышленные ворота ProTrend всех типов монтажа.

Тип калитки:

- с плоским порогом 18 мм;
- с низким порогом 100 мм,
- со стандартным порогом 145 мм.

Состав: сэндвич-панели с боковыми накладками, верхний и нижний концевые профили, нижняя уплотнительная вставка, комплект калиточных профилей с уплотнителями, пластина соединительная (для монтажа доводчика), шина доводчика, замок калитки (корпус, планка ригеля, ригель), усиливающие профили калитки, упоры нижние, контакт калитки.

Комплект ручек и цилиндрический механизм, доводчик и тяга доводчика в ремонтный узел не входят.

Единица измерения ..... шт.

Артикул	Тип полотна	Цвет*	Применение
LPU-50T	Микроволна, S-гофр	RAL 9016, 8014, 9006, 5010, 1015, 3004, 6005, 8017, 7016, ADS703**	Для ворот с правой калиткой
	М-гофр	RAL 9016, 8014, 7016**	
	L-гофр	RAL 9016, 8014, 7016, ADS703**	
	S-гофр, М-гофр, L-гофр	Золотой дуб, Темный дуб, Вишня	
	Микроволна, S-гофр, М-гофр, L-гофр	Другой цвет по каталогу RAL* или DB	
LPU-51T	Микроволна, S-гофр	RAL 9016, 8014, 9006, 5010, 1015, 3004, 6005, 8017, 7016, ADS703**	Для ворот с левой калиткой
	М-гофр	RAL 9016, 8014, 7016**	
	L-гофр	RAL 9016, 8014, 7016, ADS703**	
	S-гофр, М-гофр, L-гофр	Золотой дуб, Темный дуб, Вишня	
	Микроволна, S-гофр, М-гофр, L-гофр	Другой цвет по каталогу RAL* или DB	



**Калитка с плоским порогом  
18 мм**



**Калитка с низким порогом  
100 мм**



**Калитка со стандартным порогом  
145 мм**

\* Указанные цвета имеют близкое соответствие шкале RAL.

\*\* Стандартные цвета. Цвета, указанные в формате RAL XXXX, имеют близкое соответствие шкале RAL.

## Панель нижняя

Тип ворот:

- гаражные ворота Trend с торсионными пружинами всех типов монтажа;
- промышленные ворота ProTrend всех типов монтажа.

Тип калитки:

- с плоским порогом 18 мм;
- с низким порогом 100 мм;
- со стандартным порогом 145 мм.

Состав: нижняя сэндвич-панель с боковыми накладками, нижний концевой профиль, нижняя уплотнительная вставка, комплект калиточных профилей с уплотнителями для нижней панели, нижний усиливающий профиль калитки, упоры нижние, контакт калитки.

Единица измерения ..... шт.

Артикул	Тип полотна	Цвет*	Применение
LPU-1T	Микроволна, S-, M- и L-гофр	RAL 9016, 8014, 9006, 5010, 1015, 3004, 6005, 8017, 7016, ADS703**	Для ворот с правой калиткой
	M-гофр	RAL 9016, 8014, 7016**	
	L-гофр	RAL 9016, 8014, 7016, ADS703**	
	S-, M- и L-гофр	Золотой дуб, Темный дуб, Вишня	
	Микроволна, S-, M- и L-гофр	Другой цвет по каталогу RAL*, DB	
LPU-15T	Микроволна, S-гофр	RAL 9016, 8014, 9006, 5010, 1015, 3004, 6005, 8017, 7016, ADS703**	Для ворот с левой калиткой
	M-гофр	RAL 9016, 8014, 7016**	
	L-гофр	RAL 9016, 8014, 7016, ADS703**	
	S-, M- и L-гофр	Золотой дуб, Темный дуб, Вишня	
	Микроволна, S-, M- и L-гофр	Другой цвет по каталогу RAL*, DB	



**Калитка с плоским порогом  
18 мм**



**Калитка с низким порогом  
100 мм**



**Калитка со стандартным порогом  
145 мм**

\* Указанные цвета имеют близкое соответствие шкале RAL.

\*\* Стандартные цвета. Цвета, указанные в формате RAL XXXX, имеют близкое соответствие шкале RAL.

## Панель промежуточная

Тип ворот:

- гаражные ворота Trend с торсионными пружинами всех типов монтажа;
- промышленные ворота ProTrend всех типов монтажа.

Тип калитки:

- с плоским порогом 18 мм;
- с низким порогом 100 мм;
- со стандартным порогом 145 мм.

Состав: вторая или третья промежуточная калиточная панель с установленными калиточными профилями и уплотнителями, замок калитки (корпус, планка ригеля, ригель).

Комплект ручек и цилиндрический механизм в ремонтный узел не входят.

Единица измерения ..... шт.

Артикул	Тип полотна	Цвет*	Применение
LPU-31T	Микроволна, S-, M- и L-гофр	RAL 9016, 8014, 9006, 5010, 1015, 3004, 6005, 8017, 7016, ADS703**	Для ворот с правой калиткой
	M-гофр	RAL 9016, 8014, 7016**	
	L-гофр	RAL 9016, 8014, 7016, ADS703**	
	S-, M- и L-гофр	Золотой дуб, Темный дуб, Вишня	
	Микроволна, S-, M- и L-гофр	Другой цвет по каталогу RAL*, DB	
LPU-41T	Микроволна, S-гофр	RAL 9016, 8014, 9006, 5010, 1015, 3004, 6005, 8017, 7016, ADS703**	Для ворот с левой калиткой
	M-гофр	RAL 9016, 8014, 7016**	
	L-гофр	RAL 9016, 8014, 7016, ADS703**	
	S-, M- и L-гофр	Золотой дуб, Темный дуб, Вишня	
	Микроволна, S-, M- и L-гофр	Другой цвет по каталогу RAL*, DB	



\* Указанные цвета имеют близкое соответствие шкале RAL.

\*\* Стандартные цвета. Цвета, указанные в формате RAL XXXX, имеют близкое соответствие шкале RAL.

## Панель нижняя

Тип ворот:

- гаражные ворота Trend с торсионными пружинами всех типов монтажа;
- промышленные ворота ProTrend всех типов монтажа.

Тип калитки:

- с плоским порогом 18 мм;
- с низким порогом 100 мм;
- со стандартным порогом 145 мм.

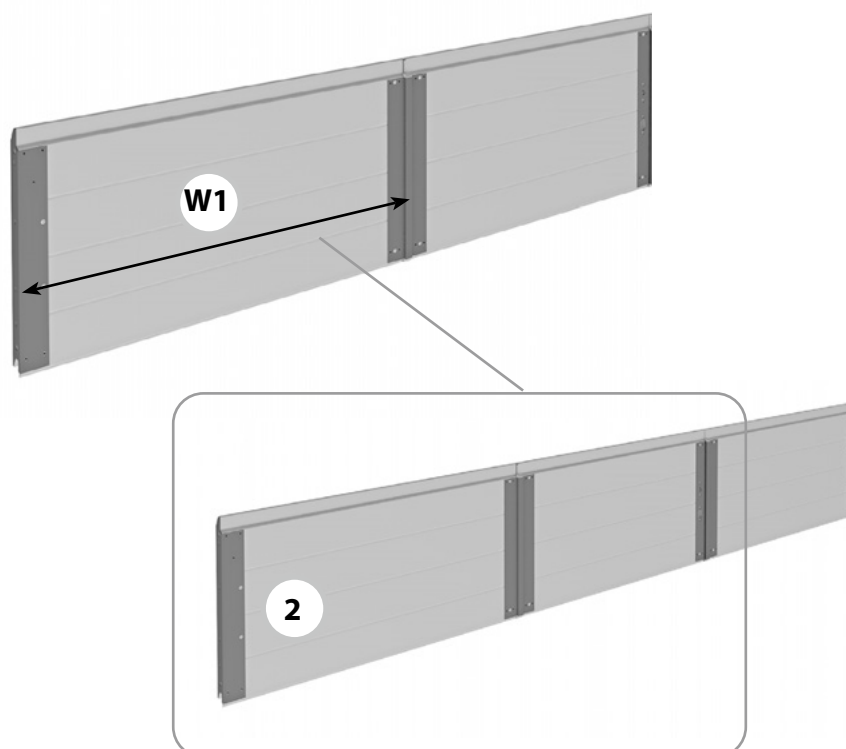
Состав: две промежуточные панели калитки с установленными калиточными профилями и уплотнителями, замок калитки (корпус, ригель).

Комплект ручек и цилиндрический механизм в ремонтный узел не входят.

Единица измерения ..... шт.

Артикул	Тип полотна	Цвет*	Применение
LPU-5T	Микроволна, S-, M- и L-гофр	RAL 9016, 8014, 9006, 5010, 1015, 3004, 6005, 8017, 7016, ADS703**	Для ворот с правой калиткой
	M-гофр	RAL 9016, 8014, 7016**	
	L-гофр	RAL 9016, 8014, 7016, ADS703**	
	S-, M- и L-гофр	Золотой дуб, Темный дуб, Вишня	
	Микроволна, S-, M- и L-гофр	Другой цвет по каталогу RAL*, DB	
LPU-19T	Микроволна, S-гофр	RAL 9016, 8014, 9006, 5010, 1015, 3004, 6005, 8017, 7016, ADS703**	Для ворот с левой калиткой
	M-гофр	RAL 9016, 8014, 7016**	
	L-гофр	RAL 9016, 8014, 7016*, ADS703**	
	S-, M- и L-гофр	Золотой дуб, Темный дуб, Вишня	
	Микроволна, S-, M- и L-гофр	Другой цвет по каталогу RAL*, DB	

**W1** — ширина боковой секции в панели с калиткой, м



\* Указанные цвета имеют близкое соответствие шкале RAL.

\*\* Стандартные цвета. Цвета, указанные в формате RAL XXXX, имеют близкое соответствие шкале RAL.

## Панель промежуточная

Тип ворот:

- гаражные ворота Trend с торсионными пружинами всех типов монтажа;
- промышленные ворота ProTrend всех типов монтажа.

Тип калитки:

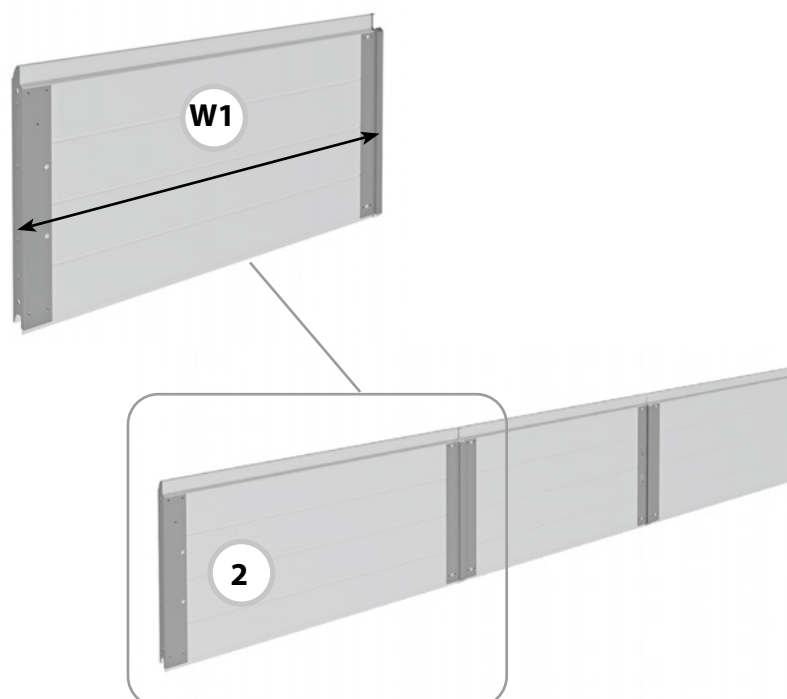
- с плоским порогом 18 мм;
- с низким порогом 100 мм;
- со стандартным порогом 145 мм.

Состав: промежуточная панель калитки (боковая часть) с установленными калиточными профилями и уплотнителями.

Единица измерения ..... шт.

Артикул	Тип полотна	Цвет*	Применение
LPU-6T	Микроволна, S-, M- и L-гофр	RAL 9016, 8014, 9006, 5010, 1015, 3004, 6005, 8017, 7016, ADS703**	Для ворот с правой калиткой
	M-гофр	RAL 9016, 8014, 7016**	
	L-гофр	RAL 9016, 8014, 7016, ADS703**	
	S-, M- и L-гофр	Золотой дуб, Темный дуб, Вишня	
	Микроволна, S-, M- и L-гофр	Другой цвет по каталогу RAL*, DB	
LPU-20T	Микроволна, S-гофр	RAL 9016, 8014, 9006, 5010, 1015, 3004, 6005, 8017, 7016, ADS703**	Для ворот с левой калиткой
	M-гофр	RAL 9016, 8014, 7016**	
	L-гофр	RAL 9016, 8014, 7016*, ADS703**	
	S-, M- и L-гофр	Золотой дуб, Темный дуб, Вишня	
	Микроволна, S-, M- и L-гофр	Другой цвет по каталогу RAL*, DB	

**W1** — ширина боковой секции в панели с калиткой, м



\* Указанные цвета имеют близкое соответствие шкале RAL.

\*\* Стандартные цвета. Цвета, указанные в формате RAL XXXX, имеют близкое соответствие шкале RAL.

## Панель промежуточная

Тип ворот:

- гаражные ворота Trend с торсионными пружинами всех типов монтажа;
- промышленные ворота ProTrend всех типов монтажа.

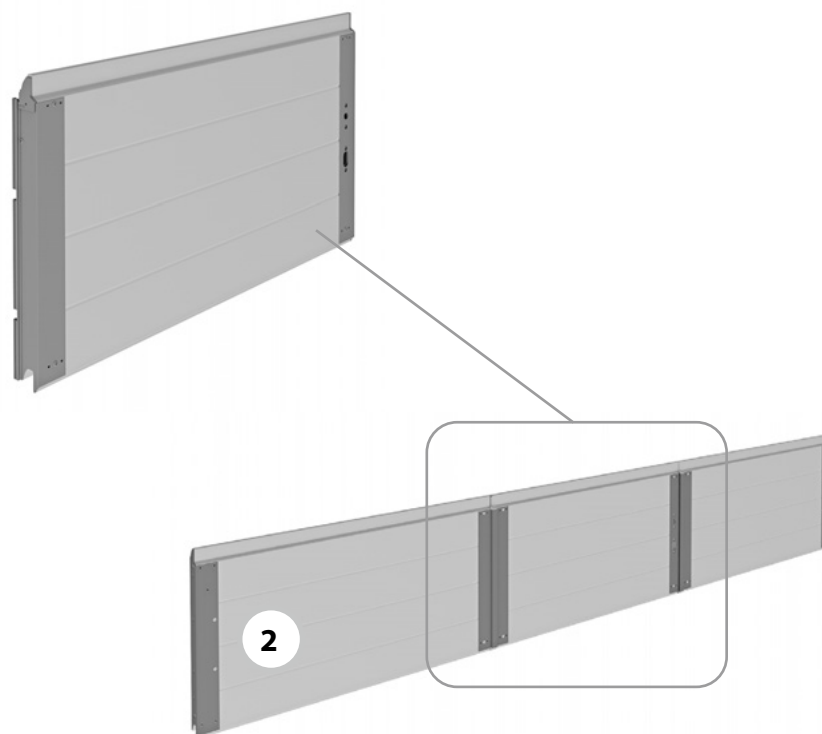
Тип калитки:

- с плоским порогом 18 мм;
- с низким порогом 100 мм;
- со стандартным порогом 145 мм.

Состав: промежуточная панель калитки (центральная часть) с установленными калиточными профилями и уплотнителями, замок калитки (корпус, ригель).

Единица измерения ..... шт.

Артикул	Тип полотна	Цвет*	Применение
LPU-7T	Микроволна, S-, M- и L-гофр	RAL 9016, 8014, 9006, 5010, 1015, 3004, 6005, 8017, 7016, ADS703**	Для ворот с правой калиткой
	M-гофр	RAL 9016, 8014, 7016**	
	L-гофр	RAL 9016, 8014, 7016, ADS703**	
	S-, M- и L-гофр	Золотой дуб, Темный дуб, Вишня	
	Микроволна, S-, M- и L-гофр	Другой цвет по каталогу RAL*, DB	
LPU-21T	Микроволна, S-гофр	RAL 9016, 8014, 9006, 5010, 1015, 3004, 6005, 8017, 7016, ADS703**	Для ворот с левой калиткой
	M-гофр	RAL 9016, 8014, 7016**	
	L-гофр	RAL 9016, 8014, 7016*, ADS703**	
	S-, M- и L-гофр	Золотой дуб, Темный дуб, Вишня	
	Микроволна, S-, M- и L-гофр	Другой цвет по каталогу RAL*, DB	



\* Указанные цвета имеют близкое соответствие шкале RAL.

\*\* Стандартные цвета. Цвета, указанные в формате RAL XXXX, имеют близкое соответствие шкале RAL.

## Панель промежуточная

Тип ворот:

- гаражные ворота Trend с торсионными пружинами всех типов монтажа;
- промышленные ворота ProTrend всех типов монтажа.

Тип калитки:

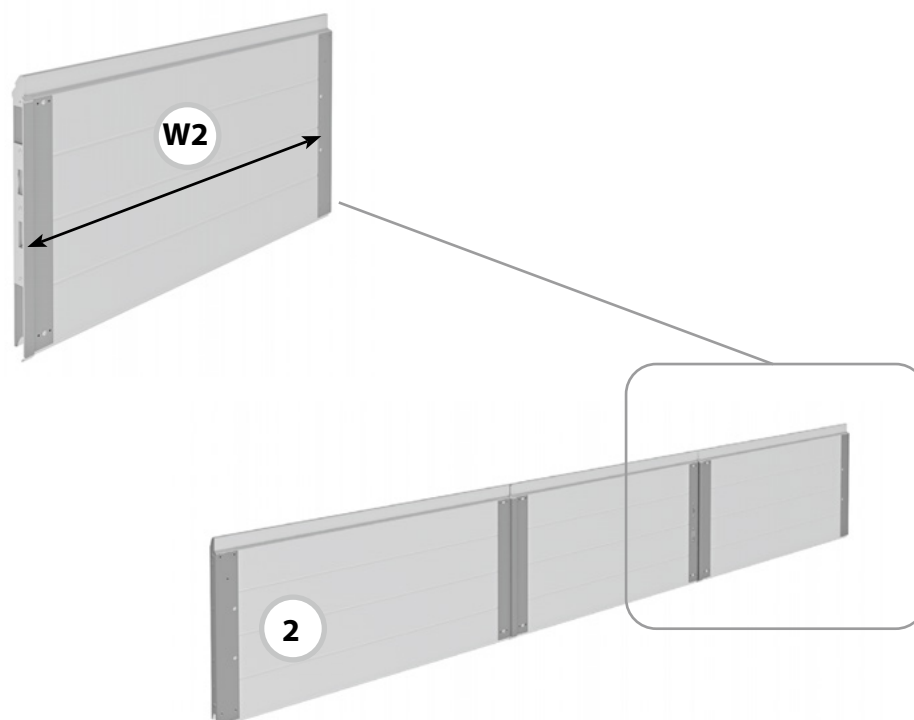
- с плоским порогом 18 мм;
- с низким порогом 100 мм;
- со стандартным порогом 145 мм.

Состав: промежуточная панель калитки (боковая часть) с установленными калиточными профилями и уплотнителями, планка ригеля.

Единица измерения ..... шт.

Артикул	Тип полотна	Цвет*	Применение
LPU-8T	Микроволна, S-, M- и L-гофр	RAL 9016, 8014, 9006, 5010, 1015, 3004, 6005, 8017, 7016, ADS703**	Для ворот с правой калиткой
	M-гофр	RAL 9016, 8014, 7016**	
	L-гофр	RAL 9016, 8014, 7016, ADS703**	
	S-, M- и L-гофр	Золотой дуб, Темный дуб, Вишня	
	Микроволна, S-, M- и L-гофр	Другой цвет по каталогу RAL*, DB	
LPU-22T	Микроволна, S-гофр	RAL 9016, 8014, 9006, 5010, 1015, 3004, 6005, 8017, 7016, ADS703**	Для ворот с левой калиткой
	M-гофр	RAL 9016, 8014, 7016**	
	L-гофр	RAL 9016, 8014, 7016*, ADS703**	
	S-, M- и L-гофр	Золотой дуб, Темный дуб, Вишня	
	Микроволна, S-, M- и L-гофр	Другой цвет по каталогу RAL*, DB	

**W2** — ширина боковой секции в панели с калиткой, м



\* Указанные цвета имеют близкое соответствие шкале RAL.

\*\* Стандартные цвета. Цвета, указанные в формате RAL XXXX, имеют близкое соответствие шкале RAL.

## Панель промежуточная

Тип ворот:

- гаражные ворота Trend с торсионными пружинами всех типов монтажа;
- промышленные ворота ProTrend всех типов монтажа.

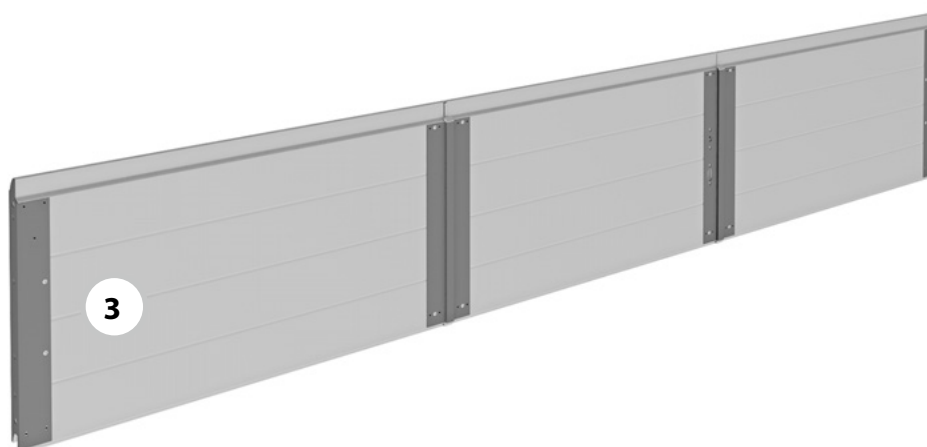
Тип калитки:

- с плоским порогом 18 мм;
- с низким порогом 100 мм;
- со стандартным порогом 145 мм.

Состав: промежуточная калиточная панель с установленными калиточными профилями и уплотнителями.

Единица измерения ..... шт.

Артикул	Тип полотна	Цвет*	Применение
LPU-32T	Микроволна, S-, M- и L-гофр	RAL 9016, 8014, 9006, 5010, 1015, 3004, 6005, 8017, 7016, ADS703**	Для ворот с правой калиткой
	M-гофр	RAL 9016, 8014, 7016**	
	L-гофр	RAL 9016, 8014, 7016, ADS703**	
	S-, M- и L-гофр	Золотой дуб, Темный дуб, Вишня	
	Микроволна, S-, M- и L-гофр	Другой цвет по каталогу RAL*, DB	
LPU-42T	Микроволна, S-гофр	RAL 9016, 8014, 9006, 5010, 1015, 3004, 6005, 8017, 7016, ADS703**	Для ворот с левой калиткой
	M-гофр	RAL 9016, 8014, 7016**	
	L-гофр	RAL 9016, 8014, 7016*, ADS703**	
	S-, M- и L-гофр	Золотой дуб, Темный дуб, Вишня	
	Микроволна, S-, M- и L-гофр	Другой цвет по каталогу RAL*, DB	



\* Указанные цвета имеют близкое соответствие шкале RAL.

\*\* Стандартные цвета. Цвета, указанные в формате RAL XXXX, имеют близкое соответствие шкале RAL.



## Панель промежуточная

Тип ворот:

- гаражные ворота Trend с торсионными пружинами всех типов монтажа;
- промышленные ворота ProTrend всех типов монтажа.

Тип калитки:

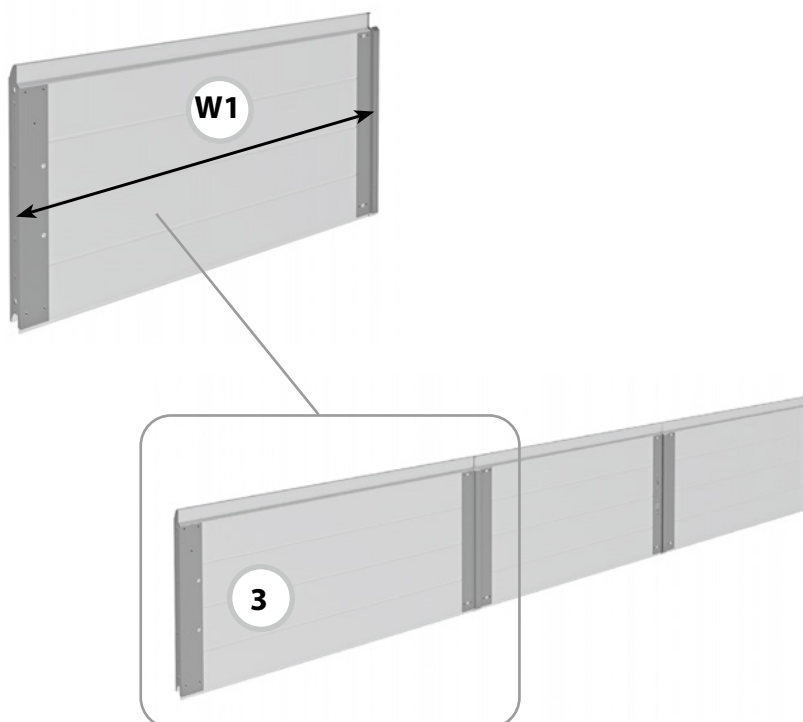
- с плоским порогом 18 мм;
- с низким порогом 100 мм;
- со стандартным порогом 145 мм.

Состав: промежуточная панель калитки (боковая часть) с установленными калиточными профилями и уплотнителями.

Единица измерения ..... шт.

Артикул	Тип полотна	Цвет*	Применение
LPU-34T	Микроволна, S-, M- и L-гофр	RAL 9016, 8014, 9006, 5010, 1015, 3004, 6005, 8017, 7016, ADS703**	Для ворот с правой калиткой
	M-гофр	RAL 9016, 8014, 7016**	
	L-гофр	RAL 9016, 8014, 7016, ADS703**	
	S-, M- и L-гофр	Золотой дуб, Темный дуб, Вишня	
	Микроволна, S-, M- и L-гофр	Другой цвет по каталогу RAL*, DB	
LPU-46T	Микроволна, S-гофр	RAL 9016, 8014, 9006, 5010, 1015, 3004, 6005, 8017, 7016, ADS703**	Для ворот с левой калиткой
	M-гофр	RAL 9016, 8014, 7016**	
	L-гофр	RAL 9016, 8014, 7016*, ADS703**	
	S-, M- и L-гофр	Золотой дуб, Темный дуб, Вишня	
	Микроволна, S-, M- и L-гофр	Другой цвет по каталогу RAL*, DB	

**W1** — ширина боковой секции в панели с калиткой, м



\* Указанные цвета имеют близкое соответствие шкале RAL.

\*\* Стандартные цвета. Цвета, указанные в формате RAL XXXX, имеют близкое соответствие шкале RAL.

## Панель промежуточная

Тип ворот:

- гаражные ворота Trend с торсионными пружинами всех типов монтажа;
- промышленные ворота ProTrend всех типов монтажа.

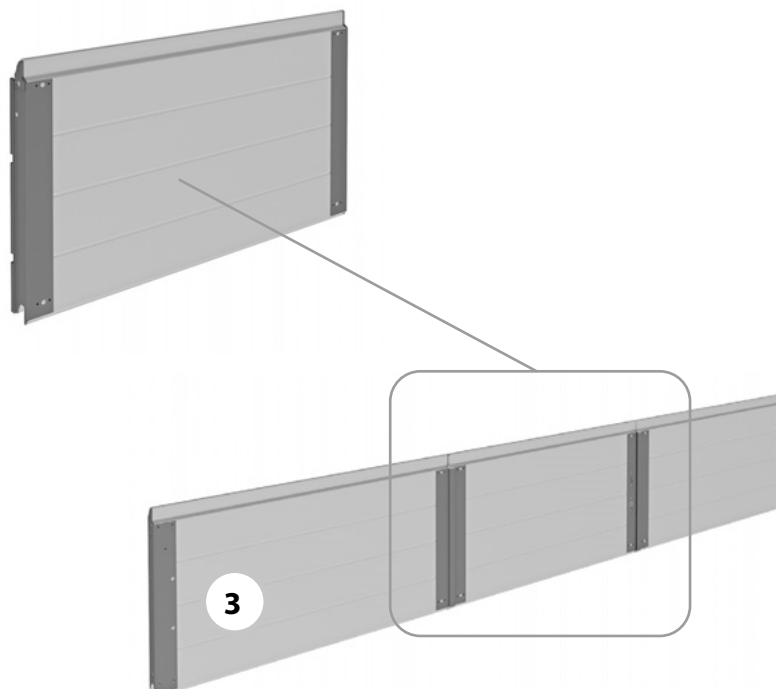
Тип калитки:

- с плоским порогом 18 мм;
- с низким порогом 100 мм;
- со стандартным порогом 145 мм.

Состав: промежуточная панель калитки (центральная часть) с установленными калиточными профилями и уплотнителями.

Единица измерения ..... шт.

Артикул	Тип полотна	Цвет*	Применение
LPU-35T	Микроволна, S-, M- и L-гофр	RAL 9016, 8014, 9006, 5010, 1015, 3004, 6005, 8017, 7016, ADS703**	Для ворот с правой калиткой
	M-гофр	RAL 9016, 8014, 7016**	
	L-гофр	RAL 9016, 8014, 7016, ADS703**	
	S-, M- и L-гофр	Золотой дуб, Темный дуб, Вишня	
	Микроволна, S-, M- и L-гофр	Другой цвет по каталогу RAL*, DB	
LPU-45T	Микроволна, S-гофр	RAL 9016, 8014, 9006, 5010, 1015, 3004, 6005, 8017, 7016, ADS703**	Для ворот с левой калиткой
	M-гофр	RAL 9016, 8014, 7016**	
	L-гофр	RAL 9016, 8014, 7016*, ADS703**	
	S-, M- и L-гофр	Золотой дуб, Темный дуб, Вишня	
	Микроволна, S-, M- и L-гофр	Другой цвет по каталогу RAL*, DB	



\* Указанные цвета имеют близкое соответствие шкале RAL.

\*\* Стандартные цвета. Цвета, указанные в формате RAL XXXX, имеют близкое соответствие шкале RAL.

## Панель промежуточная

Тип ворот:

- гаражные ворота Trend с торсионными пружинами всех типов монтажа;
- промышленные ворота ProTrend всех типов монтажа.

Тип калитки:

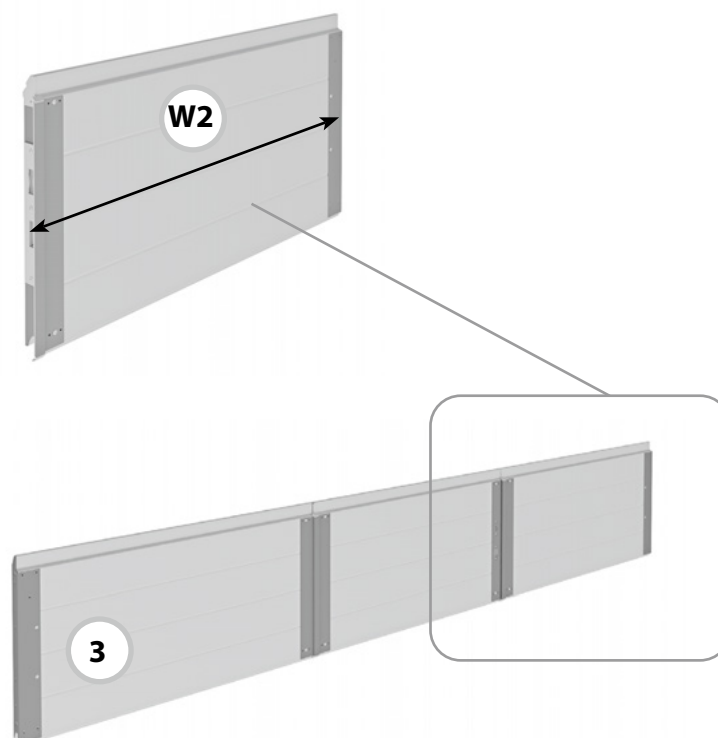
- с плоским порогом 18 мм;
- с низким порогом 100 мм;
- со стандартным порогом 145 мм.

Состав: промежуточная панель калитки (боковая часть) с установленными калиточными профилями и уплотнителями.

Единица измерения ..... шт.

Артикул	Тип полотна	Цвет*	Применение
LPU-36T	Микроволна, S-, M- и L-гофр	RAL 9016, 8014, 9006, 5010, 1015, 3004, 6005, 8017, 7016, ADS703**	Для ворот с правой калиткой
	M-гофр	RAL 9016, 8014, 7016**	
	L-гофр	RAL 9016, 8014, 7016, ADS703**	
	S-, M- и L-гофр	Золотой дуб, Темный дуб, Вишня	
	Микроволна, S-, M- и L-гофр	Другой цвет по каталогу RAL*, DB	
LPU-44T	Микроволна, S-гофр	RAL 9016, 8014, 9006, 5010, 1015, 3004, 6005, 8017, 7016, ADS703**	Для ворот с левой калиткой
	M-гофр	RAL 9016, 8014, 7016**	
	L-гофр	RAL 9016, 8014, 7016*, ADS703**	
	S-, M- и L-гофр	Золотой дуб, Темный дуб, Вишня	
	Микроволна, S-, M- и L-гофр	Другой цвет по каталогу RAL*, DB	

**W2** — ширина боковой секции в панели с калиткой, м



\* Указанные цвета имеют близкое соответствие шкале RAL.

\*\* Стандартные цвета. Цвета, указанные в формате RAL XXXX, имеют близкое соответствие шкале RAL.

## Панель промежуточная

Тип ворот:

- гаражные ворота Trend с торсионными пружинами всех типов монтажа;
- промышленные ворота ProTrend всех типов монтажа.

Тип калитки:

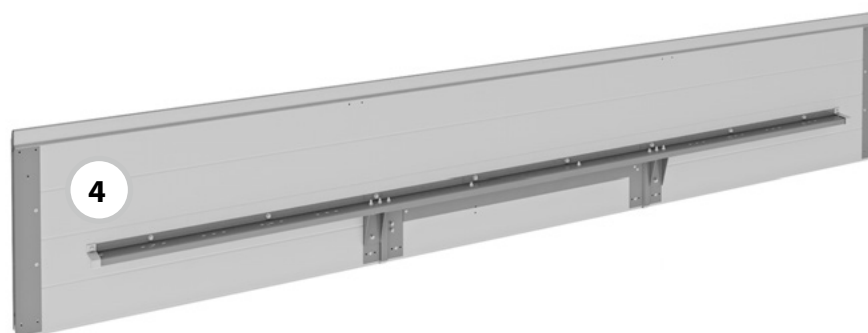
- с плоским порогом 18 мм;
- с низким порогом 100 мм;
- со стандартным порогом 145 мм.

Состав: верхняя калиточная панель с установленными калиточными профилями и уплотнителями, верхний усиливающий профиль, пластина соединительная (для монтажа доводчика), шина доводчика.

Доводчик и тяга доводчика в ремонтный узел не входят.

Единица измерения ..... шт.

Артикул	Тип полотна	Цвет*	Применение
LPU-37T	Микроволна, S-, M- и L-гофр	RAL 9016, 8014, 9006, 5010, 1015, 3004, 6005, 8017, 7016, ADS703**	Для ворот с правой калиткой
	M-гофр	RAL 9016, 8014, 7016**	
	L-гофр	RAL 9016, 8014, 7016, ADS703**	
	S-, M- и L-гофр	Золотой дуб, Темный дуб, Вишня	
	Микроволна, S-, M- и L-гофр	Другой цвет по каталогу RAL*, DB	
LPU-47T	Микроволна, S-гофр	RAL 9016, 8014, 9006, 5010, 1015, 3004, 6005, 8017, 7016, ADS703**	Для ворот с левой калиткой
	M-гофр	RAL 9016, 8014, 7016**	
	L-гофр	RAL 9016, 8014, 7016*, ADS703**	
	S-, M- и L-гофр	Золотой дуб, Темный дуб, Вишня	
	Микроволна, S-, M- и L-гофр	Другой цвет по каталогу RAL*, DB	

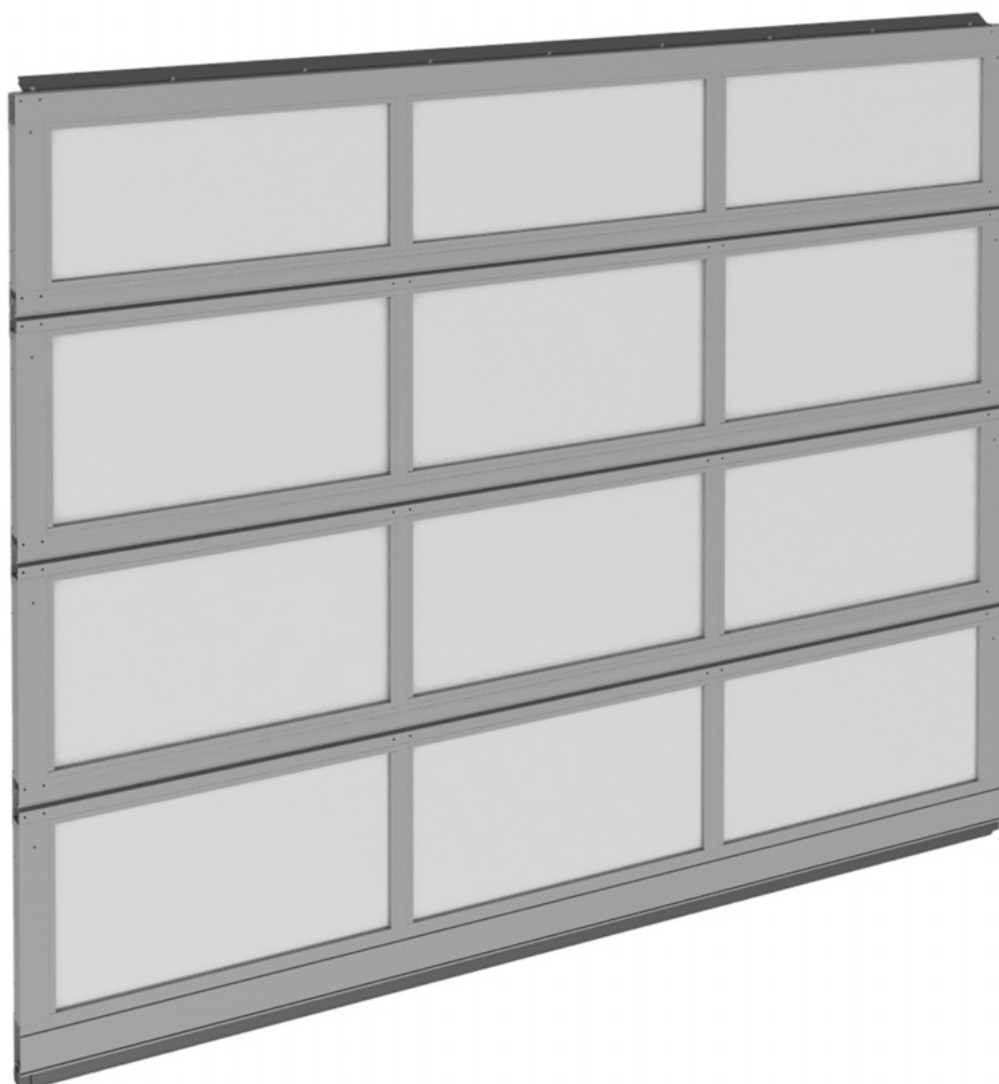


\* Указанные цвета имеют близкое соответствие шкале RAL.

\*\* Стандартные цвета. Цвета, указанные в формате RAL XXXX, имеют близкое соответствие шкале RAL.

## ПАНОРАМНОЕ ПОЛОТНО ВОРОТ БЕЗ КАЛИТКИ

ТИПОВАЯ КОНСТРУКЦИЯ ПАНОРАМНОГО ПОЛОТНА ВОРОТ БЕЗ КАЛИТКИ



Панель верхняя

Панель промежуточная

Панель промежуточная

Панель нижняя

1.1

1.2

1.3

1.4

1.5

2

3

4

## Полотно воротное

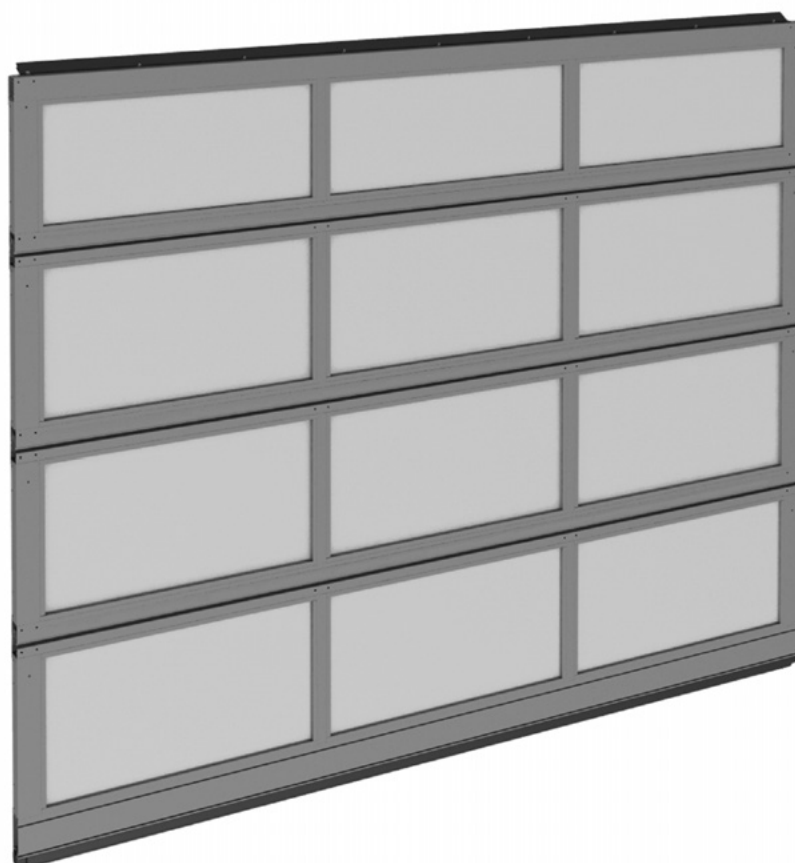
Серия ворот: панорамные ворота AluTrend.

Тип полотна ворот: АЛП.

Состав: панорамные панели, нижняя и верхняя уплотнительные вставки, упоры нижние.

Единица измерения ..... шт.

Артикул	Цвет
GLG-7T	RAL 9016, 8014, 9006, 5010, 1015, 3004, 6005, 8017, 7016**
	Другой цвет по каталогу RAL* или ADS703



\* Указанные цвета имеют близкое соответствие шкале RAL.

\*\* Стандартные цвета. Имеют близкое соответствие шкале RAL.

**Полотно воротное**

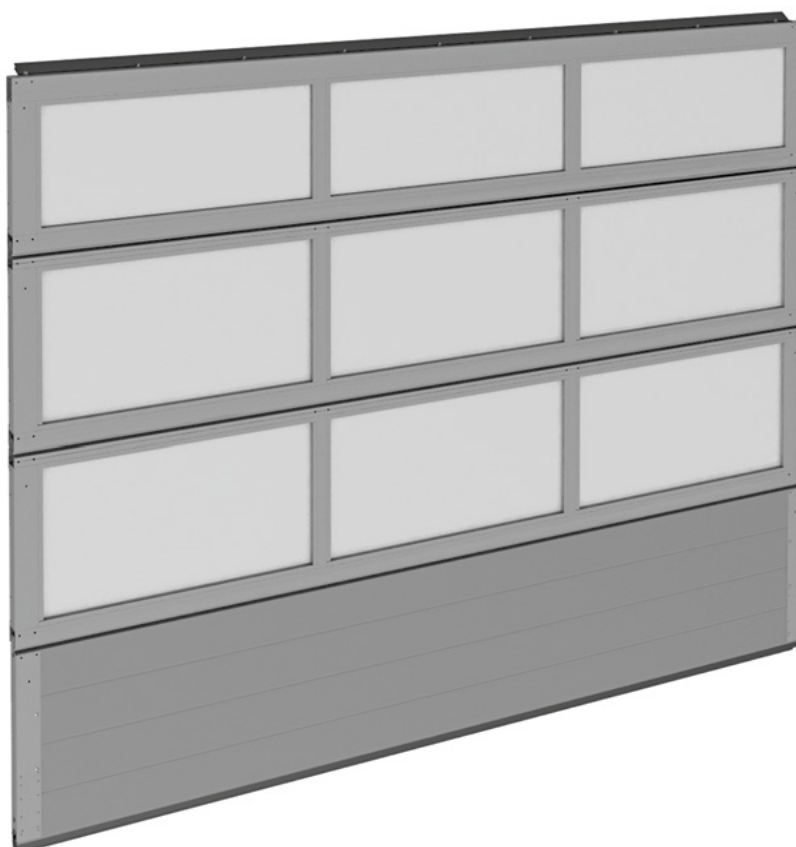
Серия ворот: панорамные ворота AluTrend.

Тип полотна ворот: АЛПС.

Состав: нижняя сэндвич-панель, промежуточные и верхняя панорамные панели, нижний концевой профиль, нижняя и верхняя уплотнительные вставки, упоры нижние.

Единица измерения ..... шт.

Артикул	Цвет
GLG-10T	RAL 9016, 8014, 9006, 5010, 1015, 3004, 6005, 8017, 7016**
	Другой цвет по каталогу RAL* или ADS703



\* Указанные цвета имеют близкое соответствие шкале RAL.

\*\* Стандартные цвета. Имеют близкое соответствие шкале RAL.

### Панель нижняя

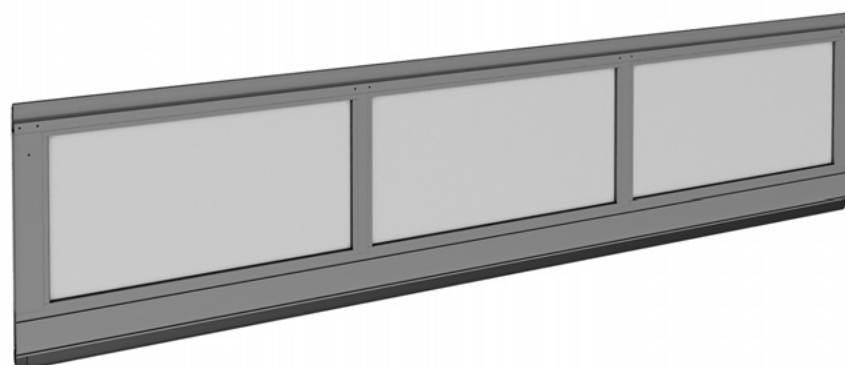
Серия ворот: панорамные ворота AluTrend.

Тип полотна ворот: АЛП.

Состав: нижняя панорамная панель, нижняя уплотнительная вставка, упоры нижние.

Единица измерения ..... шт.

Артикул	Цвет
LPA-27T	RAL 9016, 8014, 9006, 5010, 1015, 3004, 6005, 8017, 7016**
	Другой цвет по каталогу RAL* или ADS703



\* Указанные цвета имеют близкое соответствие шкале RAL.

\*\* Стандартные цвета. Имеют близкое соответствие шкале RAL.



**Панель промежуточная**

Серия ворот:

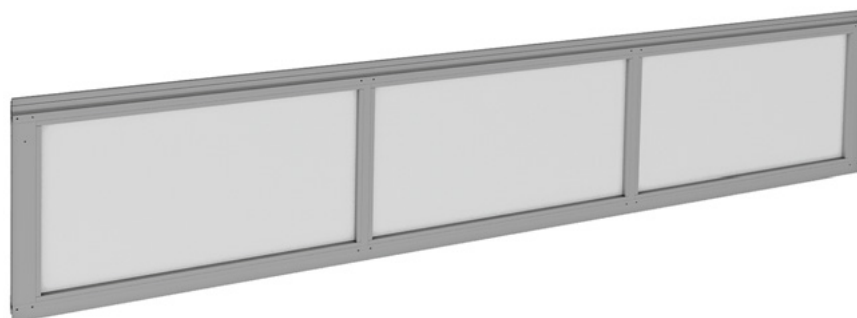
- панорамные ворота AluTrend;
- гаражные ворота Trend (ПО);
- промышленные ворота ProTrend (ПО).

Тип полотна ворот: АЛП, АЛПС, ПО.

Состав: промежуточная панорамная панель.

Единица измерения ..... шт.

Артикул	Цвет
LPA-28T	RAL 9016, 8014, 9006, 5010, 1015, 3004, 6005, 8017, 7016**
	Другой цвет по каталогу RAL* или ADS703



\* Указанные цвета имеют близкое соответствие шкале RAL.

\*\* Стандартные цвета. Имеют близкое соответствие шкале RAL.

### Панель верхняя

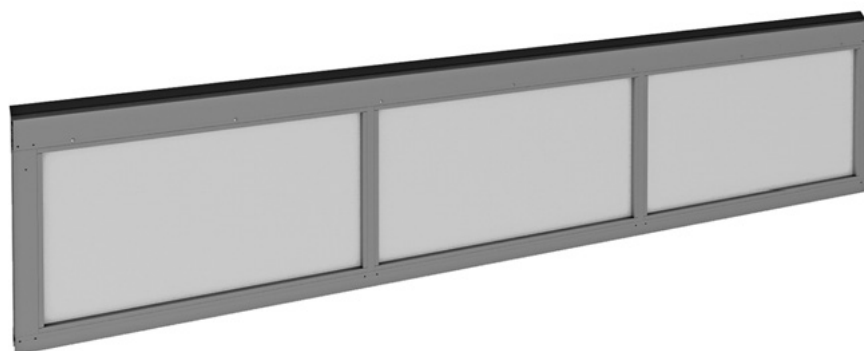
Серия ворот: панорамные ворота AluTrend.

Тип полотна ворот: АЛП, АЛПС.

Состав: верхняя панорамная панель, верхняя уплотнительная вставка.

Единица измерения ..... шт.

Артикул	Цвет
LPA-29T	RAL 9016, 8014, 9006, 5010, 1015, 3004, 6005, 8017, 7016**
	Другой цвет по каталогу RAL* или ADS703

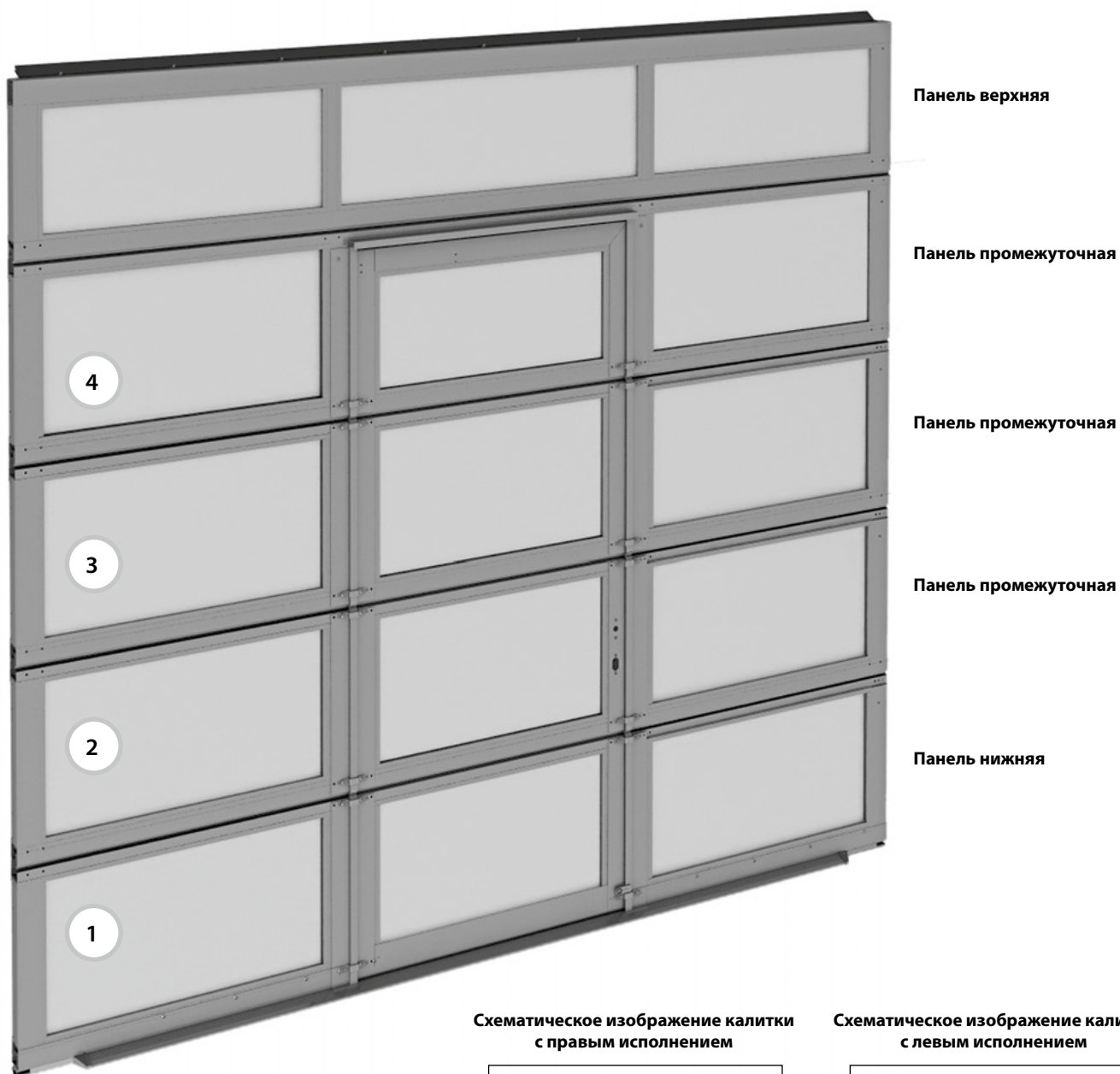


\* Указанные цвета имеют близкое соответствие шкале RAL.

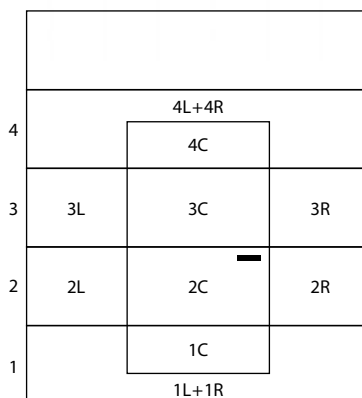
\*\* Стандартные цвета. Имеют близкое соответствие шкале RAL.

## ПАНОРАМНОЕ ПОЛОТНО ВОРОТ С КАЛИТКОЙ

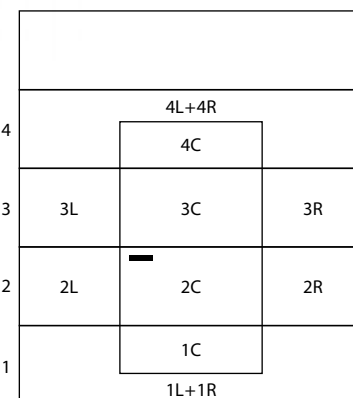
ТИПОВАЯ КОНСТРУКЦИЯ ПАНОРАМНОГО ПОЛОТНА ВОРОТ С КАЛИТКОЙ



Схематическое изображение калитки с правым исполнением



Схематическое изображение калитки с левым исполнением



при взгляде изнутри

1.1

1.2

1.3

1.4

1.5

2

3

4

## Полотно воротное

Серия ворот: панорамные ворота AluTrend.

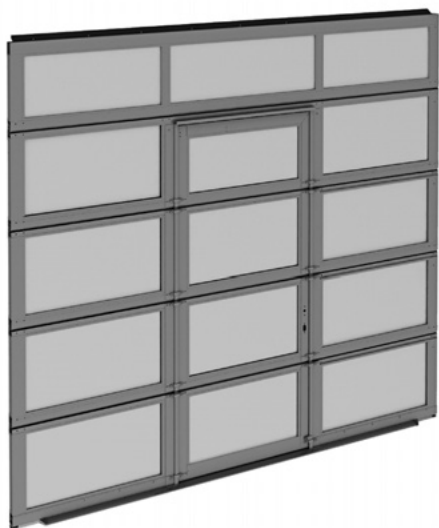
Тип полотна ворот: АЛП.

Тип калитки: с плоским порогом 18 мм, со стандартным порогом 149 мм.

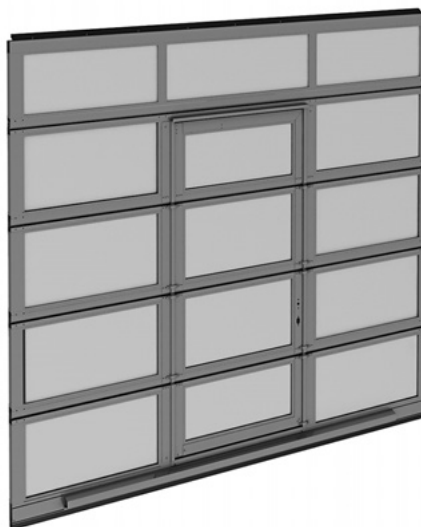
Состав: панорамные панели, пластина соединительная (для монтажа доводчика), нижняя и верхняя уплотнительные вставки, упоры нижние, комплект калиточных профилей и уплотнителей, замок калитки (планка ригеля, ригель), усиливающие профили калитки, контакт калитки.

Единица измерения ..... шт.

Артикул	Цвет*	Применение
GLG-5T	RAL 9016, 8014, 9006, 5010, 1015, 3004, 6005, 8017, 7016**	Для ворот с правой калиткой
	Другой цвет по каталогу RAL* или ADS703	
GLG-6T	RAL 9016, 8014, 9006, 5010, 1015, 3004, 6005, 8017, 7016**	Для ворот с левой калиткой
	Другой цвет по каталогу RAL* или ADS703	



**Калитка с плоским порогом  
18 мм**



**Калитка со стандартным порогом  
149 мм**

\* Указанные цвета имеют близкое соответствие шкале RAL.

\*\* Стандартные цвета. Имеют близкое соответствие шкале RAL.

## Полотно воротное

Серия ворот: панорамные ворота AluTrend.

Тип полотна ворот: АЛПС.

Тип калитки: с плоским порогом 18 мм, с низким порогом 100 мм, со стандартным порогом 145 мм.

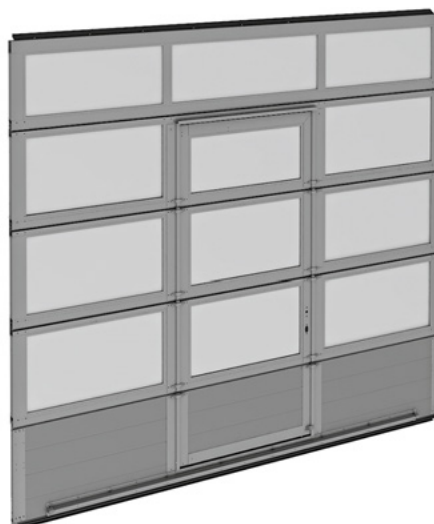
Состав: нижняя сэндвич-панель, промежуточные и верхняя панорамные панели, пластина для крепления доводчика, нижний концевой профиль, нижняя и верхняя уплотнительные вставки, упоры нижние, комплект калиточных профилей и уплотнителей, замок калитки (планка ригеля, ригель), усиливающие профили калитки, контакт калитки.

Единица измерения ..... шт.

Артикул	Цвет*	Применение
GLG-8T	RAL 9016, 8014, 9006, 5010, 1015, 3004, 6005, 8017, 7016**	Для ворот с правой калиткой
	Другой цвет по каталогу RAL* или ADS703	
GLG-9T	RAL 9016, 8014, 9006, 5010, 1015, 3004, 6005, 8017, 7016**	Для ворот с левой калиткой
	Другой цвет по каталогу RAL* или ADS703	



**Калитка с плоским порогом  
18 мм**



**Калитка с низким порогом  
100 мм**



**Калитка со стандартным порогом  
145 мм**

\* Указанные цвета имеют близкое соответствие шкале RAL.

\*\* Стандартные цвета. Имеют близкое соответствие шкале RAL.

## Панель нижняя

Серия ворот: панорамные ворота AluTrend.

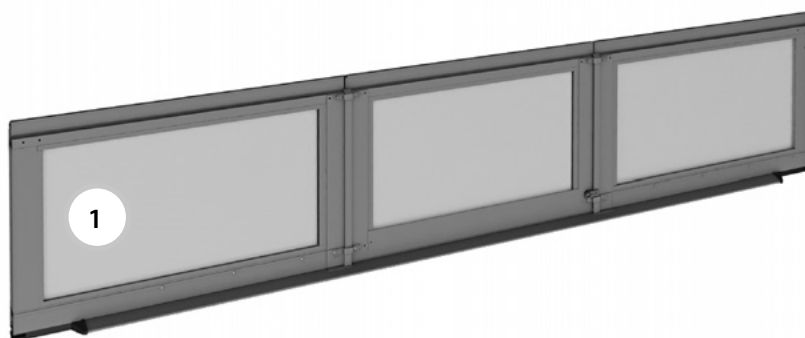
Тип полотна ворот: АЛП.

Тип калитки: с плоским порогом 18 мм, со стандартным порогом 149 мм.

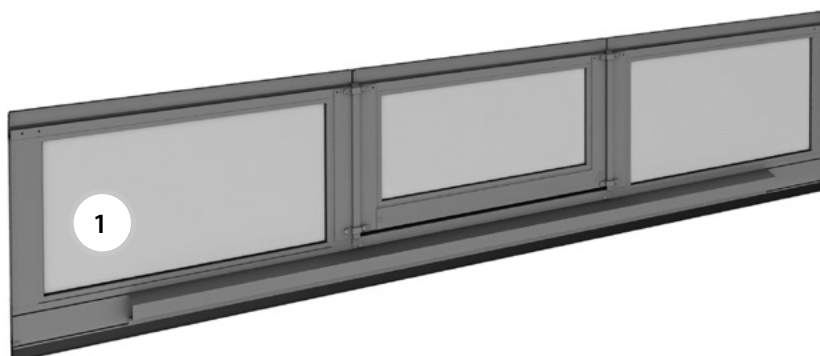
Состав: нижняя панорамная панель, нижняя уплотнительная вставка, комплект калиточных профилей и уплотнителей для нижней панели, нижний усиливающий профиль калитки, упоры нижние, контакт калитки.

Единица измерения ..... шт.

Артикул	Цвет*	Применение
LPA-1T	RAL 9016, 8014, 9006, 5010, 1015, 3004, 6005, 8017, 7016**	Для ворот с правой калиткой
	Другой цвет по каталогу RAL* или ADS703	
LPA-15T	RAL 9016, 8014, 9006, 5010, 1015, 3004, 6005, 8017, 7016**	Для ворот с левой калиткой
	Другой цвет по каталогу RAL* или ADS703	



Калитка с плоским порогом 20 мм



Калитка со стандартным порогом 149 мм

\* Указанные цвета имеют близкое соответствие шкале RAL.

\*\* Стандартные цвета. Имеют близкое соответствие шкале RAL.

**Панель нижняя**

Серия ворот: панорамные ворота AluTrend.

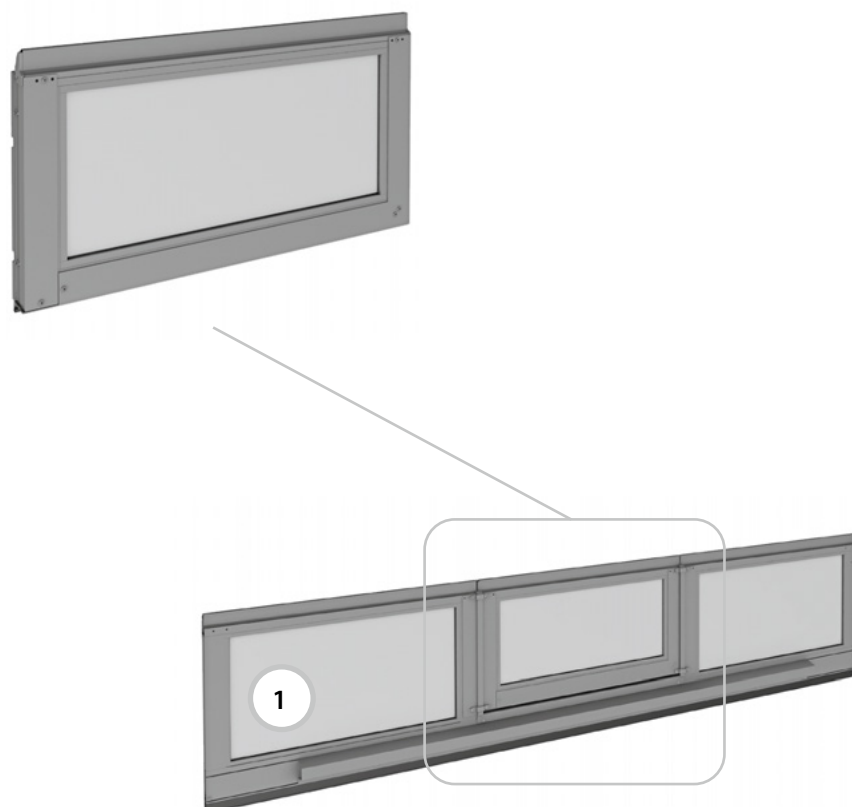
Тип полотна ворот: АЛП.

Тип калитки: с плоским порогом 18 мм, со стандартным порогом 149 мм.

Состав: нижняя панель калитки с установленными профилями калитки.

Единица измерения ..... шт.

Артикул	Цвет*	Применение
LPA-3T	RAL 9016, 8014, 9006, 5010, 1015, 3004, 6005, 8017, 7016**	Для ворот с правой калиткой
	Другой цвет по каталогу RAL* или ADS703	
LPA-17T	RAL 9016, 8014, 9006, 5010, 1015, 3004, 6005, 8017, 7016**	Для ворот с левой калиткой
	Другой цвет по каталогу RAL* или ADS703	



\* Указанные цвета имеют близкое соответствие шкале RAL.

\*\* Стандартные цвета. Имеют близкое соответствие шкале RAL.

## Панель промежуточная

Серия ворот:

- панорамные ворота AluTrend;
- гаражные ворота Trend (ПО серии AluTrend);
- промышленные ворота ProTrend (ПО серии AluTrend).

Тип полотна ворот: АЛП, АЛПС, ПО.

Тип калитки:

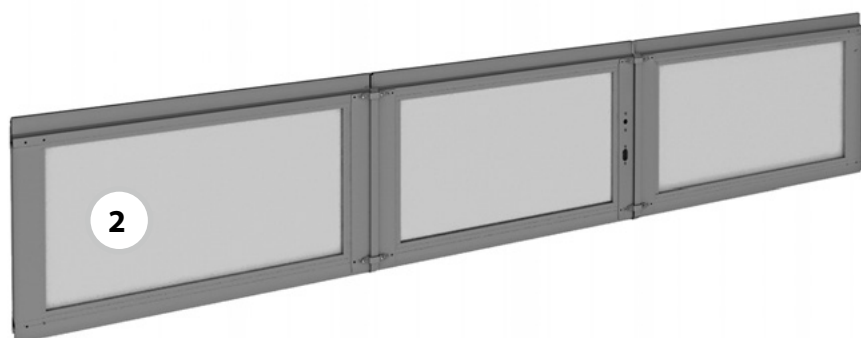
- с плоским порогом 18 мм;
- с низким порогом 100 мм;
- со стандартным порогом 145 мм (АЛПС)/149 мм (АЛП).

Состав: промежуточная калиточная панель с установленными калиточными профилями и уплотнителями, замок калитки (ригель).

Комплект ручек и цилиндрический механизм в ремонтный узел не входят.

Единица измерения ..... шт.

Артикул	Цвет*	Применение
LPA-31T	RAL 9016, 8014, 9006, 5010, 1015, 3004, 6005, 8017, 7016**	Для ворот с правой калиткой
	Другой цвет по каталогу RAL* или ADS703	
LPA-41T	RAL 9016, 8014, 9006, 5010, 1015, 3004, 6005, 8017, 7016**	Для ворот с левой калиткой
	Другой цвет по каталогу RAL* или ADS703	



\* Указанные цвета имеют близкое соответствие шкале RAL.

\*\* Стандартные цвета. Имеют близкое соответствие шкале RAL.



**Панель промежуточная**

Серия ворот:

- панорамные ворота AluTrend;
- гаражные ворота Trend (ПО серии AluTrend);
- промышленные ворота ProTrend (ПО серии AluTrend).

Тип полотна ворот: АЛП, АЛПС, ПО.

Тип калитки:

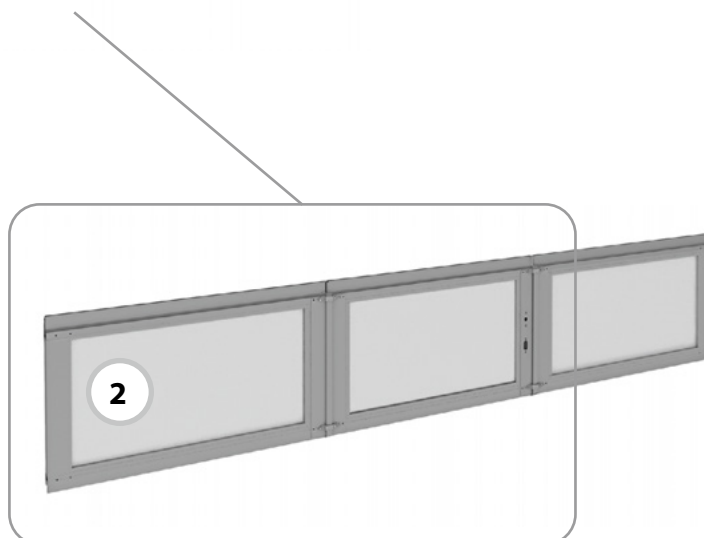
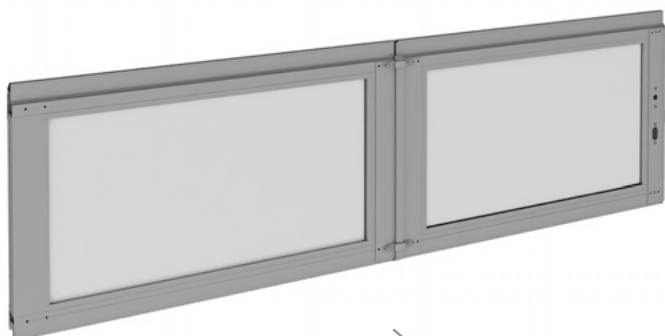
- с плоским порогом 18 мм;
- с низким порогом 100 мм;
- со стандартным порогом 145 мм (АЛПС)/149 мм (АЛП).

Состав: промежуточные панели калитки (боковая и центральная часть) с установленными калиточными профилями и уплотнителями, замок калитки (ригель).

Комплект ручек и цилиндрический механизм в ремонтный узел не входят.

Единица измерения ..... шт.

Артикул	Цвет*	Применение
LPA-5T	RAL 9016, 8014, 9006, 5010, 1015, 3004, 6005, 8017, 7016**	Для ворот с правой калиткой
	Другой цвет по каталогу RAL* или ADS703	
LPA-19T	RAL 9016, 8014, 9006, 5010, 1015, 3004, 6005, 8017, 7016**	Для ворот с левой калиткой
	Другой цвет по каталогу RAL* или ADS703	



\* Указанные цвета имеют близкое соответствие шкале RAL.

\*\* Стандартные цвета. Имеют близкое соответствие шкале RAL.

## Панель промежуточная

Серия ворот:

- панорамные ворота AluTrend;
- гаражные ворота Trend (ПО серии AluTrend);
- промышленные ворота ProTrend (ПО серии AluTrend).

Тип полотна ворот: АЛП, АЛПС, ПО.

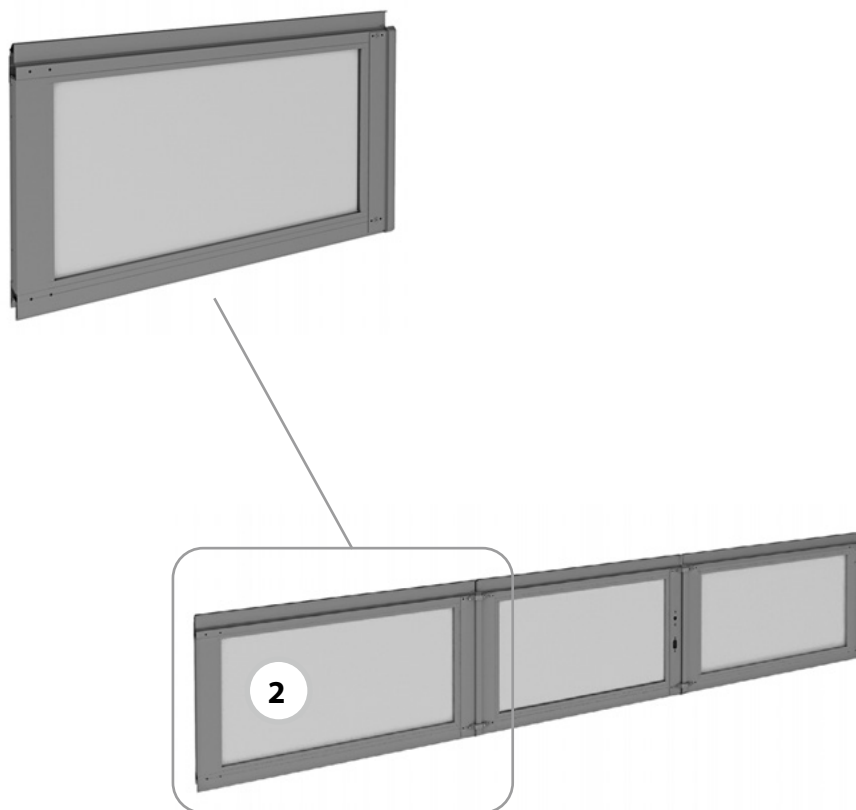
Тип калитки:

- с плоским порогом 18 мм;
- с низким порогом 100 мм;
- со стандартным порогом 145 мм (АЛПС)/149 мм (АЛП).

Состав: промежуточная панель калитки (боковая часть) с установленными калиточными профилями и уплотнителями.

Единица измерения ..... шт.

Артикул	Цвет*	Применение
LPA-6T	RAL 9016, 8014, 9006, 5010, 1015, 3004, 6005, 8017, 7016**	Для ворот с правой калиткой
	Другой цвет по каталогу RAL* или ADS703	
LPA-20T	RAL 9016, 8014, 9006, 5010, 1015, 3004, 6005, 8017, 7016**	Для ворот с левой калиткой
	Другой цвет по каталогу RAL* или ADS703	



\* Указанные цвета имеют близкое соответствие шкале RAL.

\*\* Стандартные цвета. Имеют близкое соответствие шкале RAL.

**Панель промежуточная**

Серия ворот:

- панорамные ворота AluTrend;
- гаражные ворота Trend (ПО серии AluTrend);
- промышленные ворота ProTrend (ПО серии AluTrend).

Тип полотна ворот: АЛП, АЛПС, ПО.

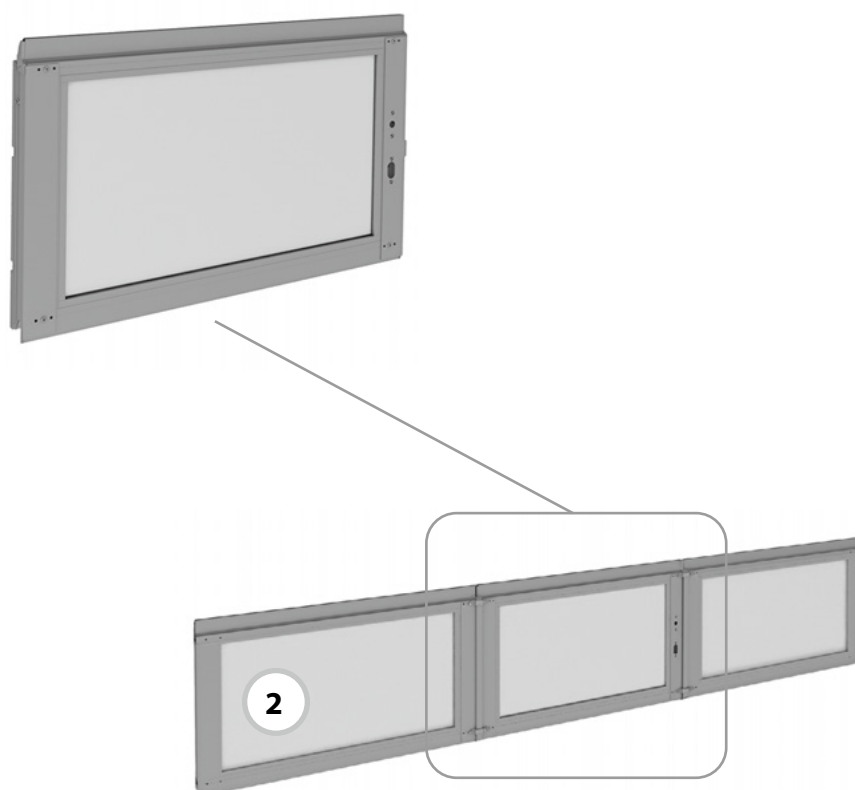
Тип калитки:

- с плоским порогом 18 мм;
- с низким порогом 100 мм;
- со стандартным порогом 145 мм (АЛПС)/149 мм (АЛП).

Состав: промежуточная панель калитки (центральная часть) с установленными калиточными профилями и уплотнителями, замок калитки (ригель).

Единица измерения ..... шт.

Артикул	Цвет*	Применение
LPA-7T	RAL 9016, 8014, 9006, 5010, 1015, 3004, 6005, 8017, 7016**	Для ворот с правой калиткой
	Другой цвет по каталогу RAL* или ADS703	
LPA-21T	RAL 9016, 8014, 9006, 5010, 1015, 3004, 6005, 8017, 7016**	Для ворот с левой калиткой
	Другой цвет по каталогу RAL* или ADS703	



\* Указанные цвета имеют близкое соответствие шкале RAL.

\*\* Стандартные цвета. Имеют близкое соответствие шкале RAL.

## Панель промежуточная

Серия ворот:

- панорамные ворота AluTrend;
- гаражные ворота Trend (ПО серии AluTrend);
- промышленные ворота ProTrend (ПО серии AluTrend).

Тип полотна ворот: АЛП, АЛПС, ПО.

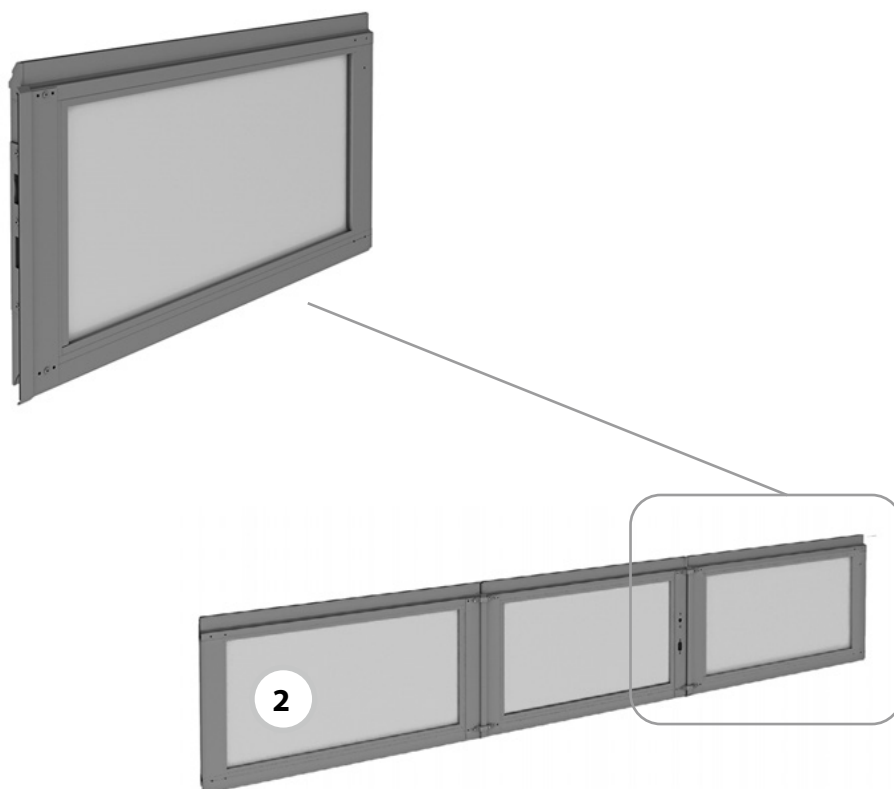
Тип калитки:

- с плоским порогом 18 мм;
- с низким порогом 100 мм;
- со стандартным порогом 145 мм (АЛПС)/149 мм (АЛП).

Состав: промежуточная панель калитки (боковая часть) с установленными калиточными профилями и уплотнителями, планка ригеля.

Единица измерения ..... шт.

Артикул	Цвет*	Применение
LPA-8T	RAL 9016, 8014, 9006, 5010, 1015, 3004, 6005, 8017, 7016**	Для ворот с правой калиткой
	Другой цвет по каталогу RAL* или ADS703	
LPA-22T	RAL 9016, 8014, 9006, 5010, 1015, 3004, 6005, 8017, 7016**	Для ворот с левой калиткой
	Другой цвет по каталогу RAL* или ADS703	



\* Указанные цвета имеют близкое соответствие шкале RAL.

\*\* Стандартные цвета. Имеют близкое соответствие шкале RAL.

**Панель промежуточная**

Серия ворот:

- панорамные ворота AluTrend;
- гаражные ворота Trend (ПО серии AluTrend);
- промышленные ворота ProTrend (ПО серии AluTrend).

Тип полотна ворот: АЛП, АЛПС, ПО.

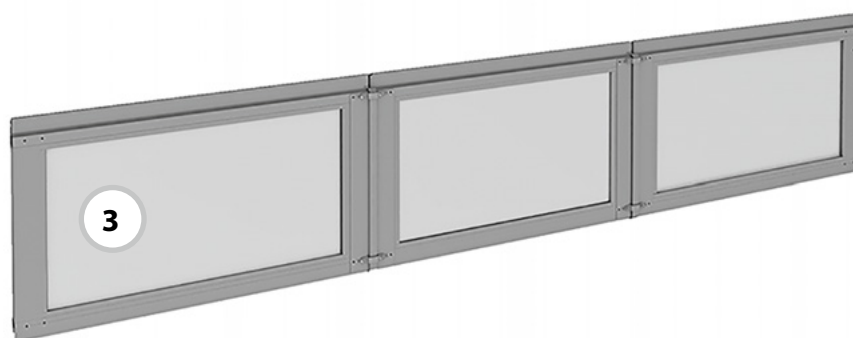
Тип калитки:

- с плоским порогом 18 мм;
- с низким порогом 100 мм;
- со стандартным порогом 145 мм (АЛПС)/149 мм (АЛП).

Состав: промежуточная калиточная панель с установленными калиточными профилями и уплотнителями.

Единица измерения ..... шт.

Артикул	Цвет*	Применение
LPA-32T	RAL 9016, 8014, 9006, 5010, 1015, 3004, 6005, 8017, 7016**	Для ворот с правой калиткой
	Другой цвет по каталогу RAL* или ADS703	
LPA-42T	RAL 9016, 8014, 9006, 5010, 1015, 3004, 6005, 8017, 7016**	Для ворот с левой калиткой
	Другой цвет по каталогу RAL* или ADS703	



\* Указанные цвета имеют близкое соответствие шкале RAL.

\*\* Стандартные цвета. Имеют близкое соответствие шкале RAL.

### Панель промежуточная

Серия ворот:

- панорамные ворота AluTrend;
- гаражные ворота Trend (ПО серии AluTrend);
- промышленные ворота ProTrend (ПО серии AluTrend).

Тип полотна ворот: АЛП, АЛПС, ПО.

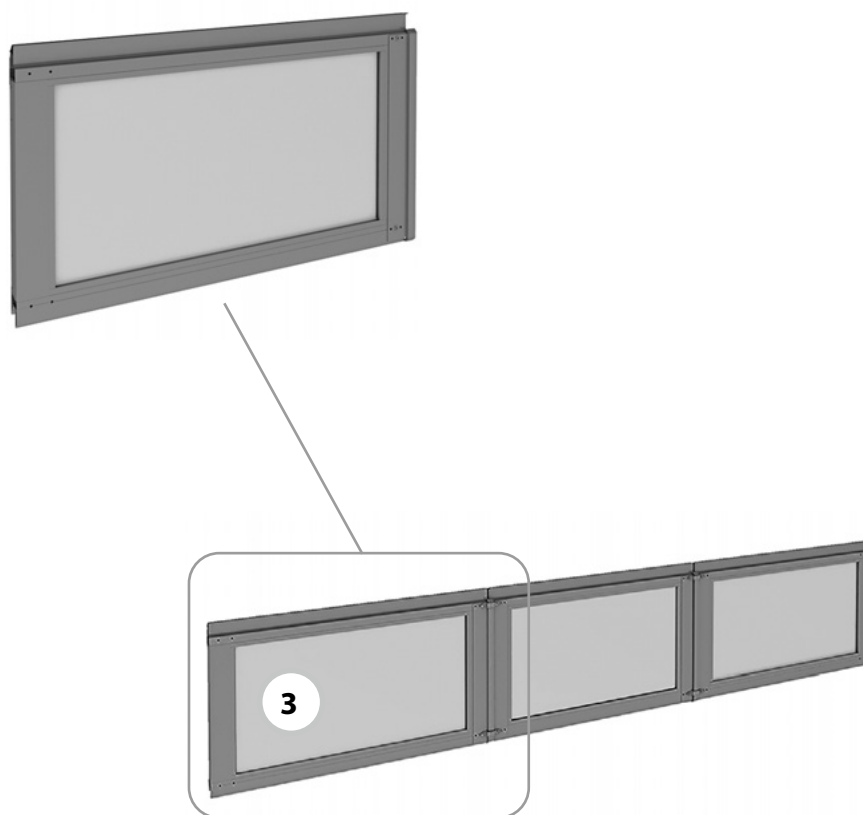
Тип калитки:

- с плоским порогом 18 мм;
- с низким порогом 100 мм;
- со стандартным порогом 145 мм (АЛПС)/149 мм (АЛП).

Состав: промежуточные панели калитки (боковая часть) с установленными калиточными профилями и уплотнителями.

Единица измерения ..... шт.

Артикул	Цвет*	Применение
LPA-33Т	RAL 9016, 8014, 9006, 5010, 1015, 3004, 6005, 8017, 7016**	Для ворот с правой калиткой
	Другой цвет по каталогу RAL* или ADS703	
LPA-43Т	RAL 9016, 8014, 9006, 5010, 1015, 3004, 6005, 8017, 7016**	Для ворот с левой калиткой
	Другой цвет по каталогу RAL* или ADS703	



\* Указанные цвета имеют близкое соответствие шкале RAL.

\*\* Стандартные цвета. Имеют близкое соответствие шкале RAL.

## Панель промежуточная

Серия ворот:

- панорамные ворота AluTrend;
- гаражные ворота Trend (ПО серии AluTrend);
- промышленные ворота ProTrend (ПО серии AluTrend).

Тип полотна ворот: АЛП, АЛПС, ПО.

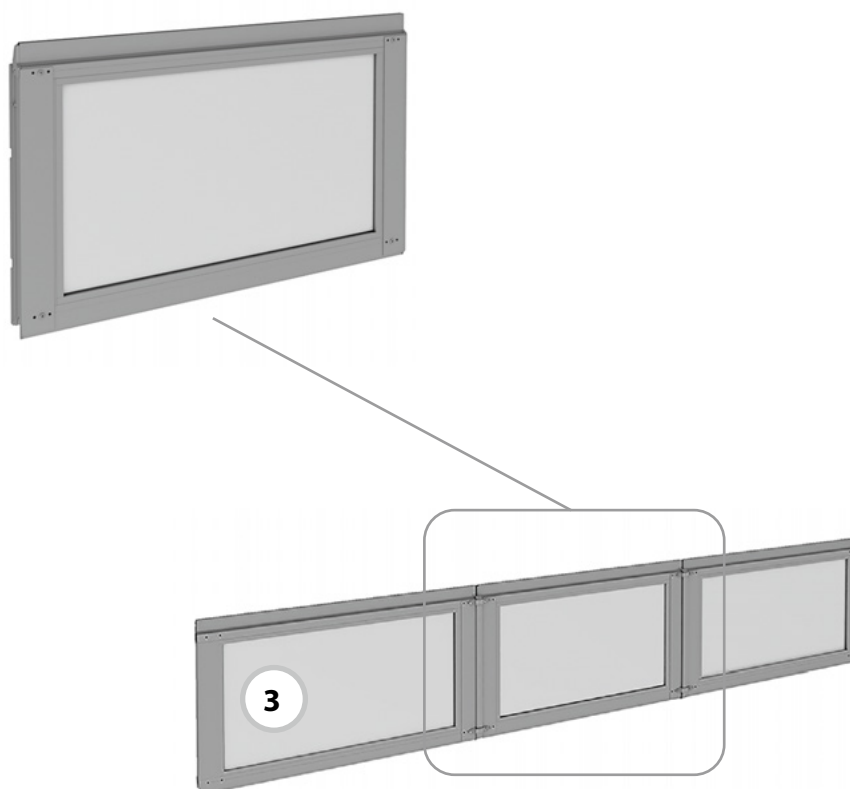
Тип калитки:

- с плоским порогом 18 мм;
- с низким порогом 100 мм;
- со стандартным порогом 145 мм (АЛПС)/149 мм (АЛП).

Состав: промежуточные панели калитки (центральная часть) с установленными калиточными профилями и уплотнителями.

Единица измерения ..... шт.

Артикул	Цвет*	Применение
LPA-34T	RAL 9016, 8014, 9006, 5010, 1015, 3004, 6005, 8017, 7016**	Для ворот с правой калиткой
	Другой цвет по каталогу RAL* или ADS703	
LPA-44T	RAL 9016, 8014, 9006, 5010, 1015, 3004, 6005, 8017, 7016**	Для ворот с левой калиткой
	Другой цвет по каталогу RAL* или ADS703	



\* Указанные цвета имеют близкое соответствие шкале RAL.

\*\* Стандартные цвета. Имеют близкое соответствие шкале RAL.

## Панель промежуточная

Серия ворот:

- панорамные ворота AluTrend;
- гаражные ворота Trend (ПО серии AluTrend);
- промышленные ворота ProTrend (ПО серии AluTrend).

Тип полотна ворот: АЛП, АЛПС, ПО.

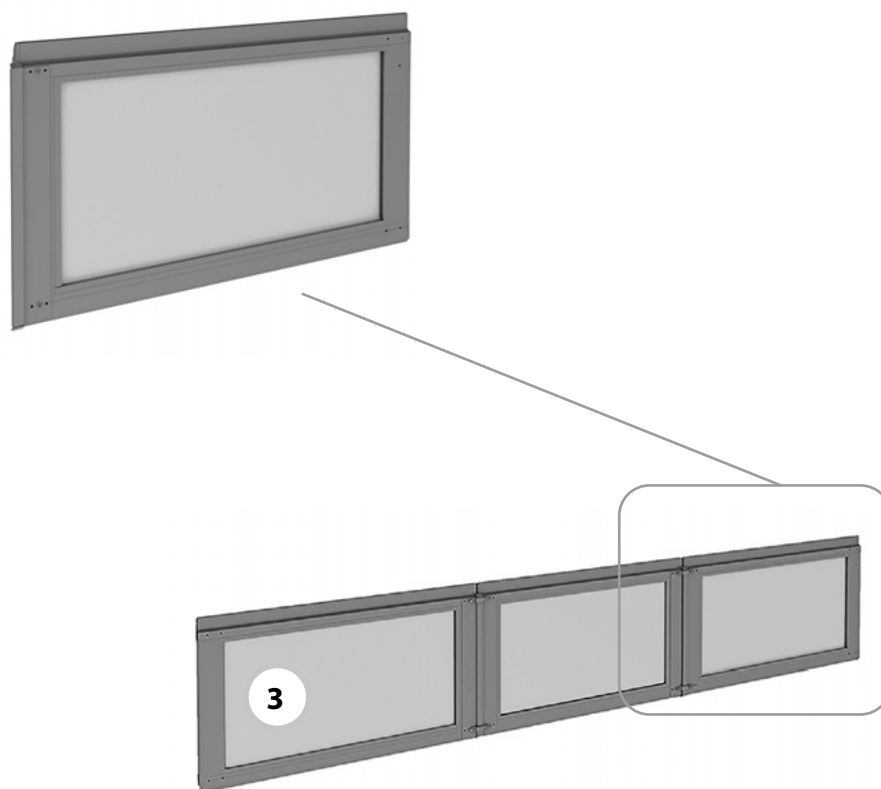
Тип калитки:

- с плоским порогом 18 мм;
- с низким порогом 100 мм;
- со стандартным порогом 145 мм (АЛПС)/149 мм (АЛП).

Состав: промежуточные панели калитки (боковая часть) с установленными калиточными профилями и уплотнителями.

Единица измерения ..... шт.

Артикул	Цвет*	Применение
LPA-35T	RAL 9016, 8014, 9006, 5010, 1015, 3004, 6005, 8017, 7016**	Для ворот с правой калиткой
	Другой цвет по каталогу RAL* или ADS703	
LPA-45T	RAL 9016, 8014, 9006, 5010, 1015, 3004, 6005, 8017, 7016**	Для ворот с левой калиткой
	Другой цвет по каталогу RAL* или ADS703	



\* Указанные цвета имеют близкое соответствие шкале RAL.

\*\* Стандартные цвета. Имеют близкое соответствие шкале RAL.



## Панель промежуточная

Серия ворот:

- панорамные ворота AluTrend;
- гаражные ворота Trend (ПО серии AluTrend);
- промышленные ворота ProTrend (ПО серии AluTrend).

Тип полотна ворот: АЛП, АЛПС, ПО.

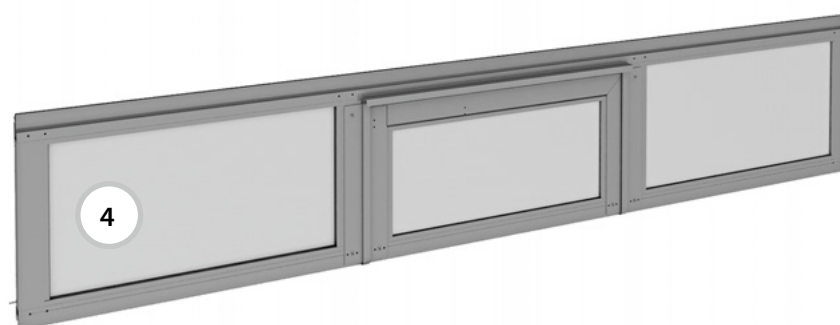
Тип калитки:

- с плоским порогом 18 мм;
- с низким порогом 100 мм;
- со стандартным порогом 145 мм (АЛПС)/149 мм (АЛП).

Состав: верхняя калиточная панель с установленными калиточными профилями и уплотнителями, пластина соединительная (для монтажа доводчика).

Единица измерения ..... шт.

Артикул	Цвет*	Применение
LPA-36T	RAL 9016, 8014, 9006, 5010, 1015, 3004, 6005, 8017, 7016**	Для ворот с правой калиткой
	Другой цвет по каталогу RAL* или ADS703	
LPA-46T	RAL 9016, 8014, 9006, 5010, 1015, 3004, 6005, 8017, 7016**	Для ворот с левой калиткой
	Другой цвет по каталогу RAL* или ADS703	



\* Указанные цвета имеют близкое соответствие шкале RAL.

\*\* Стандартные цвета. Имеют близкое соответствие шкале RAL.

## Панель промежуточная

Серия ворот:

- панорамные ворота AluTrend;
- гаражные ворота Trend (ПО серии AluTrend);
- промышленные ворота ProTrend (ПО серии AluTrend).

Тип полотна ворот: АЛП, АЛПС, ПО.

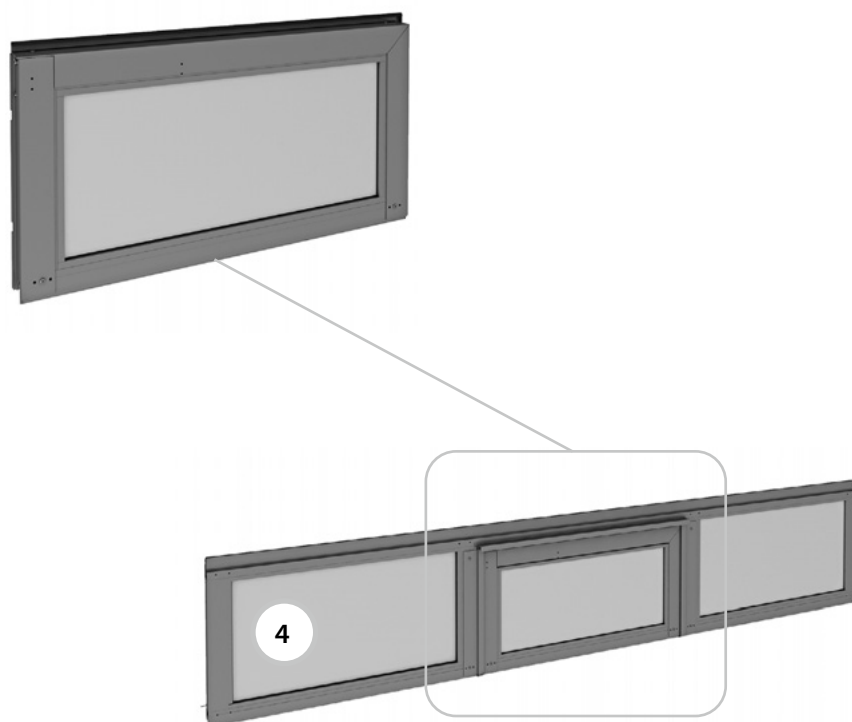
Тип калитки:

- с плоским порогом 18 мм;
- с низким порогом 100 мм;
- со стандартным порогом 145 мм (АЛПС)/149 мм (АЛП).

Состав: верхняя калиточная панель с установленными калиточными профилями и уплотнителями, пластина соединительная (для монтажа доводчика).

Единица измерения ..... шт.

Артикул	Цвет*	Применение
LPA-37T	RAL 9016, 8014, 9006, 5010, 1015, 3004, 6005, 8017, 7016**	Для ворот с правой калиткой
	Другой цвет по каталогу RAL* или ADS703	
LPA-47T	RAL 9016, 8014, 9006, 5010, 1015, 3004, 6005, 8017, 7016**	Для ворот с левой калиткой
	Другой цвет по каталогу RAL* или ADS703	



\* Указанные цвета имеют близкое соответствие шкале RAL.

\*\* Стандартные цвета. Имеют близкое соответствие шкале RAL.

## СИСТЕМА БАЛАНСИРОВКИ ПОЛОТНА ВОРОТ

## Механизм пружинно-инерционный

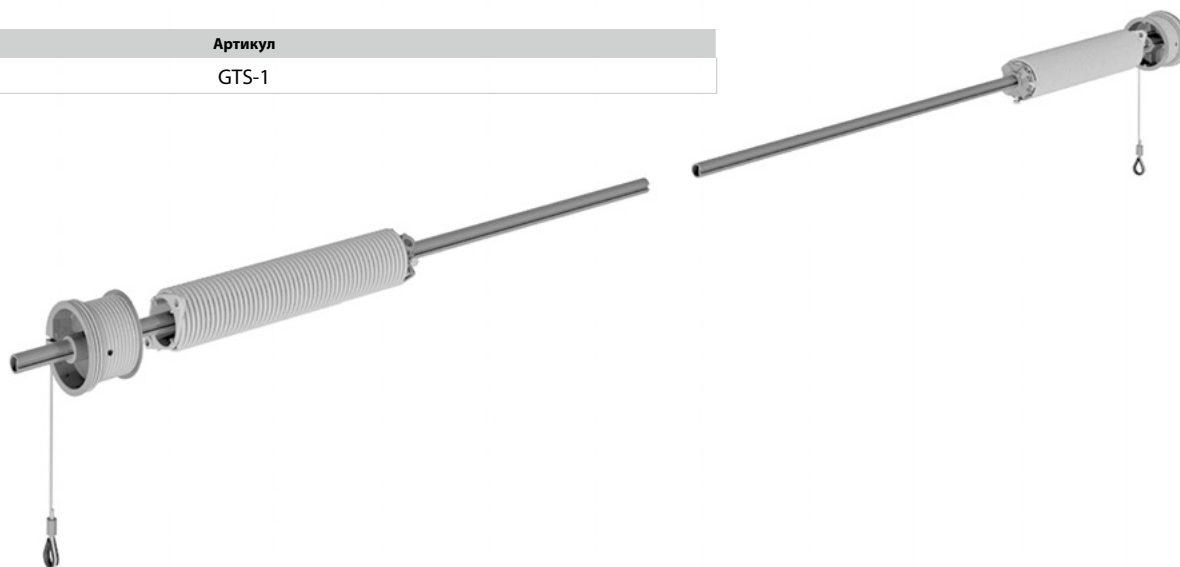
Тип ворот:

- гаражные ворота Trend с торсионными пружинами всех типов монтажа;
- промышленные ворота ProTrend.

Состав: вал (или два вала), пружины с пружинными наконечниками, барабаны, два собранных с кошами троса.

Единица измерения ..... шт.

Артикул
GTS-1



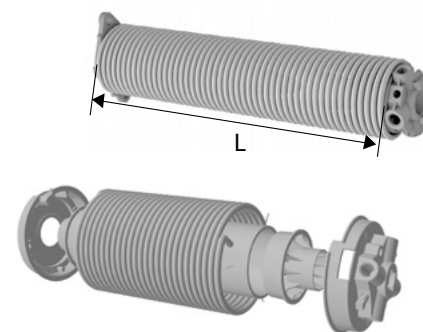
## Элемент торсионный

Тип ворот:

- гаражные ворота Trend с торсионными пружинами всех типов монтажа;
- промышленные ворота ProTrend.

Состав:

- торсионная пружина с пружинными наконечниками (ТКУ-1—4);
- торсионная пружина с пружинными наконечниками, проставочный профиль, адаптер проставочный (ТКУ-5, ТКУ-6);
- торсионная пружина с пружинными наконечниками, труба проставочная с крышками и штифтами (ТКУ-7, ТКУ-8);
- дуплексная пружина с пружинными наконечниками, проставочный профиль (ТКУ-9, ТКУ-11).



Единица измерения ..... шт.

Артикул	Диаметр пружины, мм	Тип ворот	Примечание
ТКУ-1	51	Гаражные ворота Trend	Левая
ТКУ-2		Промышленные ворота ProTrend	Правая
ТКУ-3	67	Гаражные ворота Trend	Левая
ТКУ-4		Промышленные ворота ProTrend	Правая
ТКУ-5	95	Гаражные ворота Trend	Левая
ТКУ-6		Промышленные ворота ProTrend	Правая
ТКУ-7	152	Промышленные ворота ProTrend	Левая
ТКУ-8			Правая
ТКУ-9	Дуплексная пружина (95+152 мм)	Промышленные ворота ProTrend	Левая
ТКУ-11			Правая

L — длина пружины, м

## СИСТЕМА БАЛАНСИРОВКИ ПОЛОТНА ВОРОТ

### Элемент растяжения

Тип ворот: гаражные ворота Trend с пружинами растяжения.

Состав: пружина растяжения в сборе (внешняя и внутренняя пружины, фиксатор, узел верхний, кронштейн).

Единица измерения ..... шт.

Артикул
TKU-13



### Элемент торсионного вала

Тип ворот:

- гаражные ворота серии Trend с торсионными пружинами всех типов монтажа;
- промышленные ворота ProTrend всех типов монтажа.

Состав: два барабана, два собранных с коушами троса.

Единица измерения ..... шт.



Артикул	Тип барабана	Типы ворот и монтажа
TKU-21	CD010N	<b>Гаражные ворота Trend:</b> • стандартный и низкий монтаж <b>Промышленные ворота Pro Trend:</b> • стандартный, низкий, наклонный (5–40°), наклонный низкий (5–40°) типы монтажа
TKU-22	CD012N	<b>Гаражные ворота Trend:</b> • стандартный и низкий монтаж <b>Промышленные ворота Pro Trend:</b> • стандартный, низкий, наклонный (5–40°), наклонный низкий (5–40°), низкий с передним расположением вала, низкий с передним расположением вала (тип 2) типы монтажа
TKU-23	CD018N	<b>Промышленные ворота ProTrend:</b> • стандартный, низкий, наклонный (5–40°), наклонный низкий (5–40°), низкий с передним расположением вала, низкий с передним расположением вала (тип 2) типы монтажа
TKU-24	CD032N	
TKU-25	CD032N-5/4	
TKU-26	CD054H	<b>Гаражные ворота Trend</b> • высокий тип монтажа <b>Промышленные ворота ProTrend:</b> • высокий и наклонный высокий (5–40°) монтаж с верхним расположением вала, высокий и наклонный высокий (5–40°) монтаж с нижним расположением вала
TKU-27	CD120H	<b>Промышленные ворота ProTrend:</b> • высокий и наклонный высокий (5–40°) монтаж с верхним расположением вала, высокий и наклонный высокий (5–40°) монтаж с нижним расположением вала
TKU-28	CD164H	
TKU-29	CD164H-5/4	
TKU-30	CD011V	<b>Промышленные ворота ProTrend:</b> • вертикальный монтаж с верхним и нижним расположением вала, все типы наклонных монтажей (45°)
TKU-31	CD018V	
TKU-32	CD018V-5/4	

## СИСТЕМА НАПРАВЛЯЮЩИХ

**Стойка вертикальная**

Тип ворот: гаражные ворота Trend с торсионными пружинами.

Тип монтажа: стандартный.

Состав: угловой профиль, вертикальная направляющая, боковой уплотнитель, кронштейн, ограничитель угловой стойки.

Единица измерения ..... шт.

Артикул	Применение
НKG-4T	Левая
НKG-5T	Правая

**Стойка вертикальная**

Тип ворот: гаражные ворота Trend с торсионными пружинами.

Тип монтажа: низкий монтаж.

Состав: угловой профиль, вертикальная направляющая, боковой уплотнитель, кронштейн, ограничитель угловой стойки.

Единица измерения ..... шт.

Артикул	Применение
НKG-9T	Левая
НKG-10T	Правая



1.1

1.2

1.3

1.4

1.5

2

3

4

## СИСТЕМА НАПРАВЛЯЮЩИХ

### Стойка вертикальная

Тип ворот: гаражные ворота Trend с пружинами растяжения.

Состав: угловой профиль, вертикальная направляющая, боковой уплотнитель, кронштейн, ограничитель угловой стойки, пластина.

Единица измерения ..... шт.

Артикул	Применение
НKG-18Т	Левая
НKG-19Т	Правая



### Стойка вертикальная

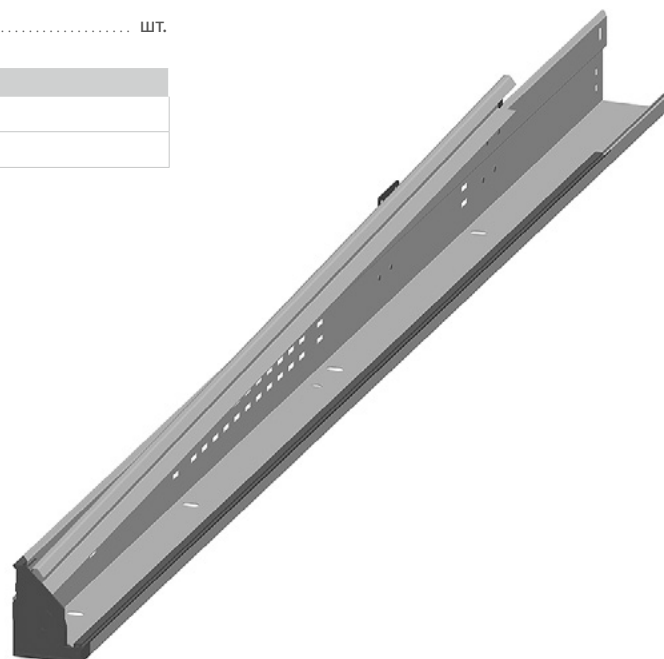
Тип ворот: гаражные ворота Trend с торсионными пружинами.

Тип монтажа: высокий с верхним расположением вала.

Состав: угловой профиль, вертикальная направляющая, соединительные пластины, боковой уплотнитель, ограничитель угловой стойки.

Единица измерения ..... шт.

Артикул	Применение
НKG-22Т	Левая
НKG-23Т	Правая



## СИСТЕМА НАПРАВЛЯЮЩИХ

**Стойка вертикальная**

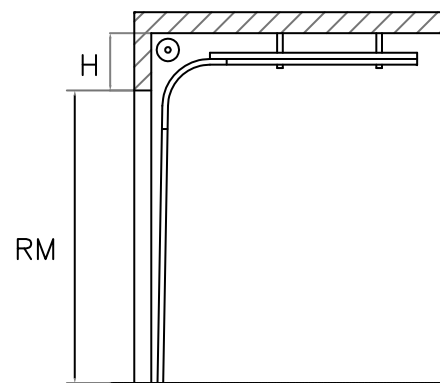
Тип ворот: промышленные ворота ProTrend.

Тип монтажа: стандартный.

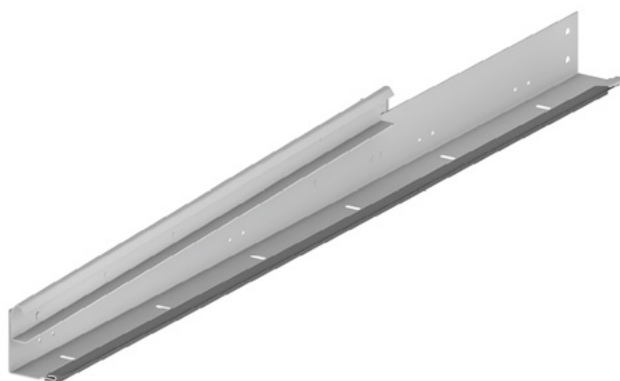
Состав: угловой профиль, вертикальная направляющая, соединительные пластины, боковой уплотнитель.

Единица измерения ..... шт.

Артикул	Примечание (система подвеса)	Применение
HKI-10	GSH-4	Левая
HKI-11		Правая
HKI-14	GSH-5	Левая, нижняя часть
HKI-15		Правая, нижняя часть
HKI-16		Левая, верхняя часть
HKI-17		Правая, верхняя часть



Стандартный тип монтажа

Угловая стойка, состоящая из цельного профиля  
(HKI-10, 11)Нижняя часть  
(HKI-14, 15)Верхняя часть  
(HKI-16, 17)

Угловая стойка, состоящая из двух отдельных частей

1.1

1.2

1.3

1.4

1.5

2

3

4

## СИСТЕМА НАПРАВЛЯЮЩИХ

### Стойка вертикальная

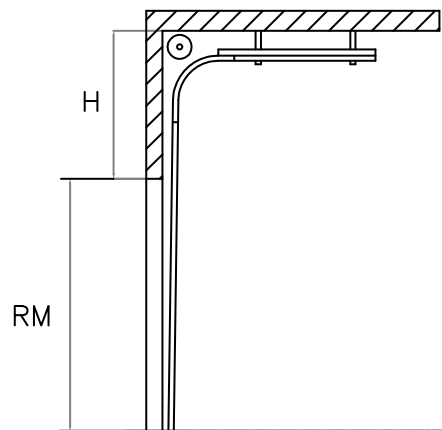
Тип ворот: промышленные ворота ProTrend.

Тип монтажа: высокий монтаж с верхним расположением вала.

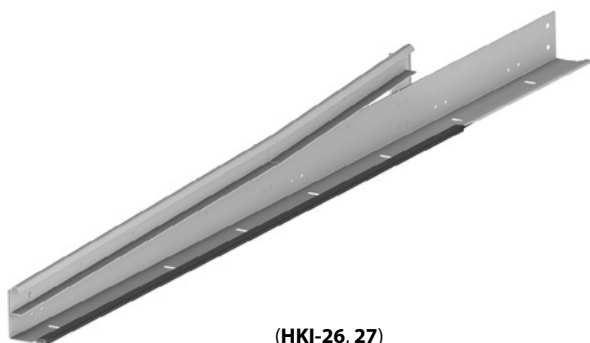
Состав: угловой профиль, вертикальная направляющая, соединительные пластины, боковой уплотнитель.

Единица измерения ..... шт.

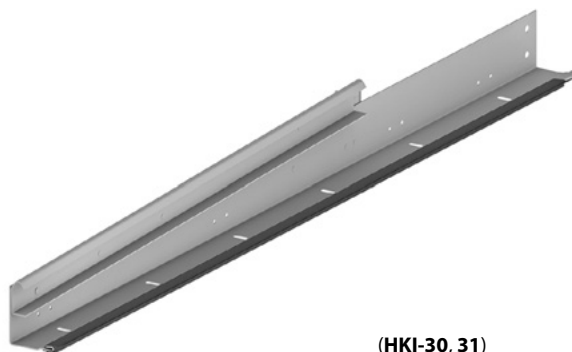
Артикул	Примечание (система подвеса)	Применение
HKI-20	GSH-6	Левая, нижняя часть
HKI-21		Правая, нижняя часть
HKI-22		Левая, верхняя часть
HKI-23		Правая, верхняя часть
HKI-26	GSH-7	Левая
HKI-27		Правая
HKI-30	GSH-8	Левая
HKI-31		Правая



**Высокий тип монтажа  
с верхним расположением вала**



(HKI-26, 27)



(HKI-30, 31)

**Угловая стойка, состоящая из цельного профиля**



**Нижняя часть  
(HKI-20, 21)**



**Верхняя часть  
(HKI-22, 23)**

**Угловая стойка, состоящая из двух отдельных частей**



## СИСТЕМА НАПРАВЛЯЮЩИХ

## Стойка вертикальная

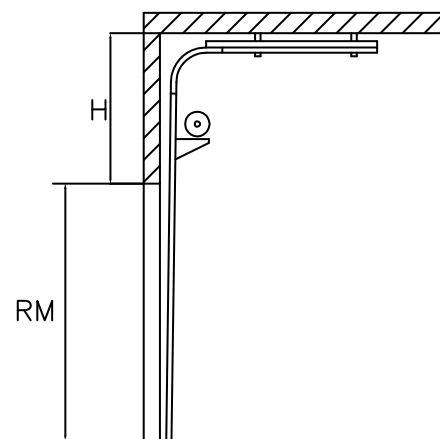
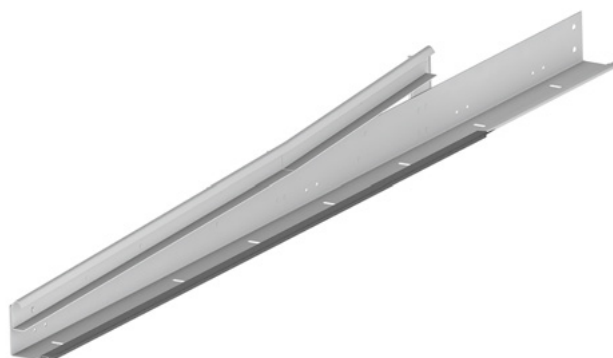
Тип ворот: промышленные ворота ProTrend.

Тип монтажа: высокий монтаж с нижним расположением вала.

Состав: угловой профиль, вертикальная направляющая, соединительные пластины, боковой уплотнитель.

Единица измерения ..... шт.

Артикул	Примечание (система подвеса)	Применение
HKI-34	GSH-9	Левая, нижняя часть
HKI-35		Правая, нижняя часть
HKI-36		Левая, верхняя часть
HKI-37		Правая, верхняя часть
HKI-40	GSH-10	Левая
HKI-41		Правая

Высокий тип монтажа  
с нижним расположением валаУгловая стойка, состоящая из цельного профиля  
(HKI-40, 41)Нижняя часть  
(HKI-34, 35)Верхняя часть  
(HKI-36, 37)

Угловая стойка, состоящая из двух отдельных частей

## СИСТЕМА НАПРАВЛЯЮЩИХ

### Стойка вертикальная

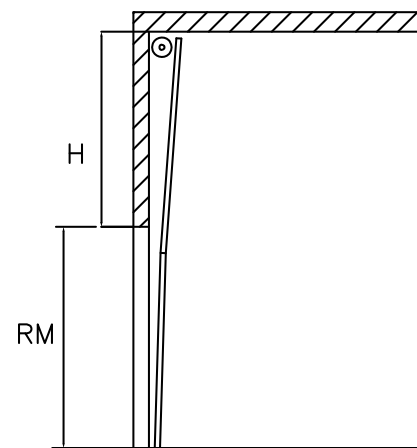
Тип ворот: промышленные ворота ProTrend.

Тип монтажа: вертикальный монтаж с верхним расположением вала.

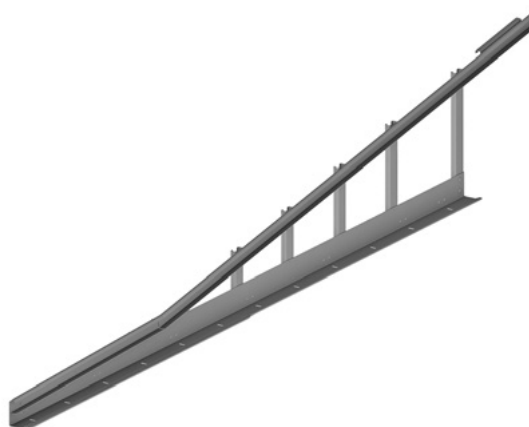
Состав: угловой профиль, вертикальная направляющая, соединительные пластины, боковой уплотнитель.

Единица измерения ..... шт.

Артикул	Примечание (система подвеса)	Применение
HKI-48	GSH-12	Левая, нижняя часть
HKI-49		Правая, нижняя часть
HKI-50		Левая, верхняя часть
HKI-51		Правая, верхняя часть
HKI-52	GSH-13	Левая
HKI-53		Правая



**Вертикальный тип монтажа с верхним расположением вала**



**Угловая стойка, состоящая из цельного профиля (HKI-52, 53)**



**Нижняя часть (HKI-48, 49)**



**Верхняя часть (HKI-50, 51)**

**Угловая стойка, состоящая из двух отдельных частей**

## СИСТЕМА НАПРАВЛЯЮЩИХ

## Стойка вертикальная

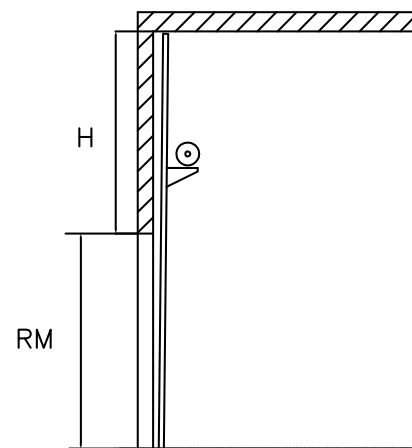
Тип ворот: промышленные ворота ProTrend.

Тип монтажа: вертикальный монтаж с нижним расположением вала.

Состав: угловой профиль, вертикальная направляющая, соединительные пластины, боковой уплотнитель.

Единица измерения ..... шт.

Артикул	Примечание (система подвеса)	Применение
HKI-54	GSH-14	Левая
HKI-55		Правая
HKI-60	GSH-16	Левая
HKI-61		Правая
HKI-56	GSH-15	Левая, нижняя часть
HKI-57		Правая, нижняя часть
HKI-58		Левая, верхняя часть
HKI-59		Правая, верхняя часть



Вертикальный тип монтажа  
с нижним расположением вала



Угловая стойка, состоящая из цельного профиля  
(HKI-54, 55, 60, 61)



Нижняя часть  
(HKI-56, 57)



Верхняя часть  
(HKI-58, 59)

Угловая стойка, состоящая из двух отдельных частей

## СИСТЕМА НАПРАВЛЯЮЩИХ

### Стойка вертикальная

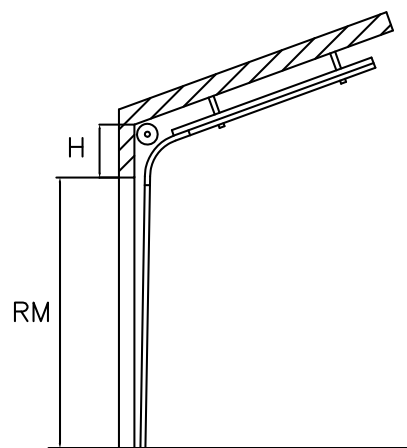
Тип ворот: промышленные ворота ProTrend.

Тип монтажа: наклонный.

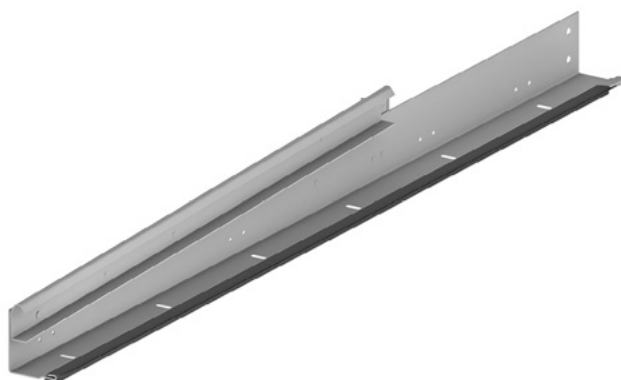
Состав: угловой профиль, вертикальная направляющая, соединительные пластины, боковой уплотнитель.

Единица измерения ..... шт.

Артикул	Примечание (система подвеса)	Применение
HKI-62	GSH-19	Левая
HKI-63		Правая
HKI-66	GSH-20	Левая, нижняя часть
HKI-67		Правая, нижняя часть
HKI-68		Левая, верхняя часть
HKI-69		Правая, верхняя часть



**Наклонный тип монтажа**



**Угловая стойка, состоящая из цельного профиля (HKI-62, 63)**



**Нижняя часть (HKI-66, 67)**



**Верхняя часть (HKI-68, 69)**

**Угловая стойка, состоящая из двух отдельных частей**

## СИСТЕМА НАПРАВЛЯЮЩИХ

## Стойка вертикальная

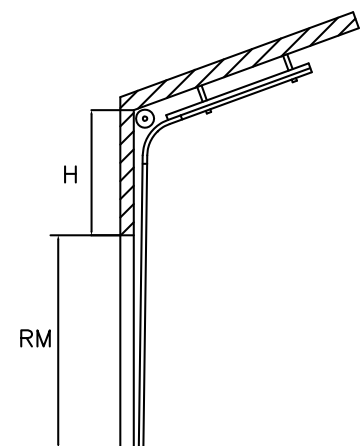
Тип ворот: промышленные ворота ProTrend.

Тип монтажа: наклонный высокий монтаж с верхним расположением вала.

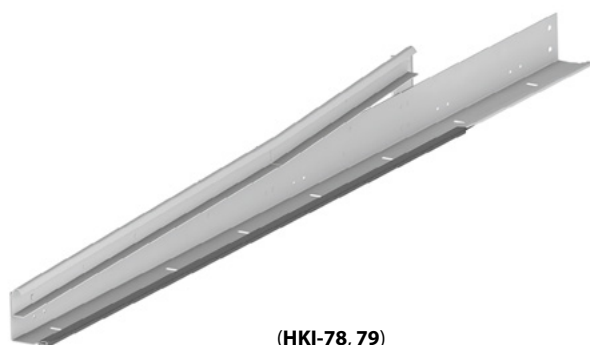
Состав: угловой профиль, вертикальная направляющая, соединительные пластины, боковой уплотнитель.

Единица измерения ..... шт.

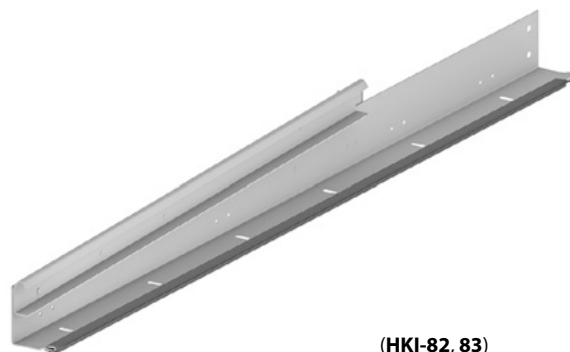
Артикул	Примечание (система подвеса)	Применение
HKI-72	GSH-21	Левая, нижняя часть
HKI-73		Правая, нижняя часть
HKI-74		Левая, верхняя часть
HKI-75		Правая, верхняя часть
HKI-78	GSH-22	Левая
HKI-79		Правая
HKI-82	GSH-23	Левая
HKI-83		Правая



Наклонный высокий тип монтажа с верхним расположением вала



(HKI-78, 79)



(HKI-82, 83)

Угловая стойка, состоящая из цельного профиля

Нижняя часть  
(HKI-72, 73)Верхняя часть  
(HKI-74, 75)

Угловая стойка, состоящая из двух отдельных частей

## СИСТЕМА НАПРАВЛЯЮЩИХ

### Стойка вертикальная

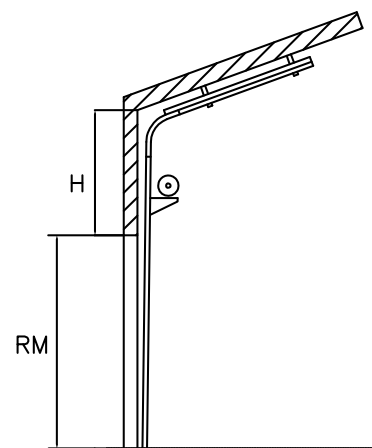
Тип ворот: промышленные ворота ProTrend.

Тип монтажа: наклонный высокий монтаж с нижним расположением вала.

Состав: угловой профиль, вертикальная направляющая, соединительные пластины, боковой уплотнитель.

Единица измерения ..... шт.

Артикул	Примечание (система подвеса)	Применение
HKI-86	GSH-24	Левая, нижняя часть
HKI-87		Правая, нижняя часть
HKI-88		Левая, верхняя часть
HKI-89		Правая, верхняя часть
HKI-92	GSH-25	Левая
HKI-93		Правая



**Наклонный высокий тип монтажа с нижним расположением вала**



**Угловая стойка, состоящая из цельного профиля (HKI-92, 93)**



**Нижняя часть (HKI-86, 87)**



**Верхняя часть (HKI-88, 89)**

**Угловая стойка, состоящая из двух отдельных частей**

## СИСТЕМА НАПРАВЛЯЮЩИХ

## Стойка вертикальная

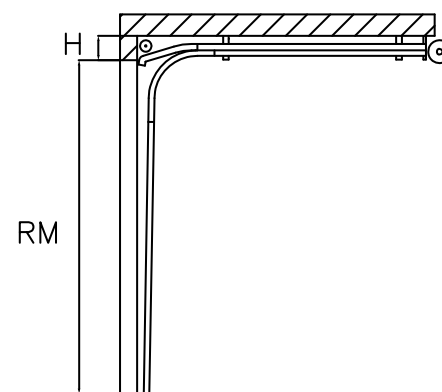
Тип ворот: промышленные ворота ProTrend.

Тип монтажа: низкий.

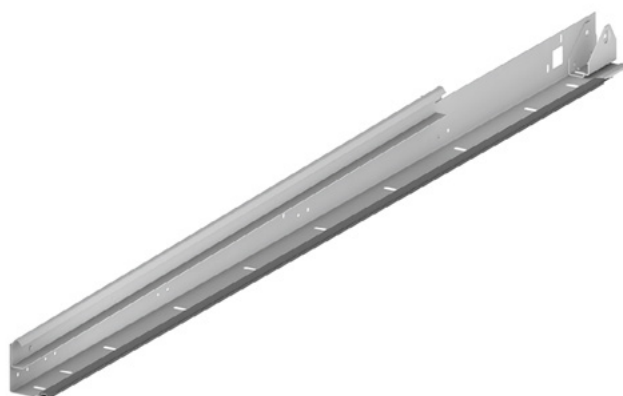
Состав: угловой профиль, вертикальная направляющая, соединительные пластины, боковой уплотнитель, кронштейн для установки шкива.

Единица измерения ..... шт.

Артикул	Примечание (система подвеса)	Применение
HKI-108	GSH-17	Левая
HKI-109		Правая
HKI-110	GSH-18	Левая, нижняя часть
HKI-111		Правая, нижняя часть
HKI-112		Левая, верхняя часть
HKI-113		Правая, верхняя часть



Низкий тип монтажа

Угловая стойка, состоящая из цельного профиля  
(HKI-108, 109)Нижняя часть  
(HKI-110, 111)Верхняя часть  
(HKI-112, 113)

Угловая стойка, состоящая из двух отдельных частей

1.1

1.2

1.3

1.4

1.5

2

3

4

## СИСТЕМА НАПРАВЛЯЮЩИХ

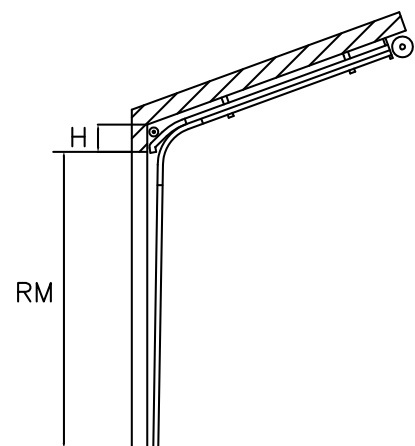
### Стойка вертикальная

Тип ворот: промышленные ворота ProTrend.

Тип монтажа: наклонный низкий.

Состав: угловой профиль, вертикальная направляющая, соединительные пластины, боковой уплотнитель, кронштейн для установки шкива.

Единица измерения ..... шт.



**Наклонный низкий тип монтажа**

Артикул	Примечание (система подвеса)	Применение
HKI-114	GSH-27	Левая
HKI-115		Правая
HKI-116	GSH-28	Левая, нижняя часть
HKI-117		Правая, нижняя часть
HKI-118		Левая, верхняя часть
HKI-119		Правая, верхняя часть



**Угловая стойка, состоящая из цельного профиля  
(HKI-114, 115)**



**Нижняя часть  
(HKI-116, 117)**



**Верхняя часть  
(HKI-118, 119)**

**Угловая стойка, состоящая из двух отдельных частей**



## СИСТЕМА НАПРАВЛЯЮЩИХ

**Стойка вертикальная**

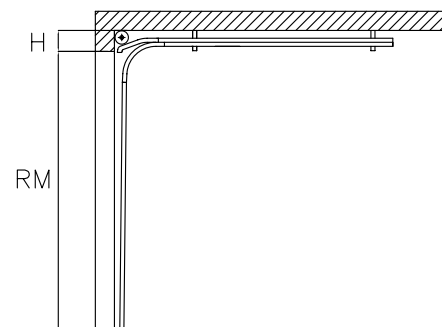
Тип ворот: промышленные ворота ProTrend.

Тип монтажа: низкий с передним расположением вала.

Состав: угловой профиль, вертикальная направляющая, соединительные пластины, боковой уплотнитель.

Единица измерения ..... шт.

Артикул	Примечание (система подвеса)	Применение
HKI-123	GSH-30	Левая
HKI-124		Правая
HKI-125	GSH-31	Левая, нижняя часть
HKI-126		Правая, нижняя часть
HKI-127		Левая, верхняя часть
HKI-128		Правая, верхняя часть



**Низкий тип монтажа  
с передним расположением вала**

1.1

1.2

1.3

1.4

1.5

2

3

4

## СИСТЕМА НАПРАВЛЯЮЩИХ

### Стойка вертикальная

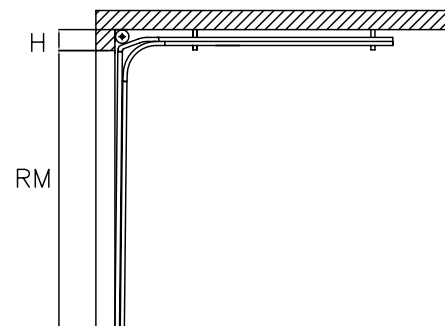
Тип ворот: промышленные ворота ProTrend.

Тип монтажа: низкий с передним расположением вала (тип 2).

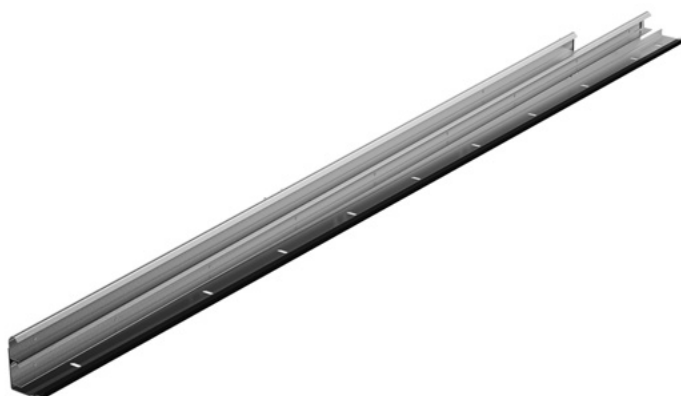
Состав: угловой профиль, вертикальная направляющая, соединительные пластины, боковой уплотнитель.

Единица измерения ..... шт.

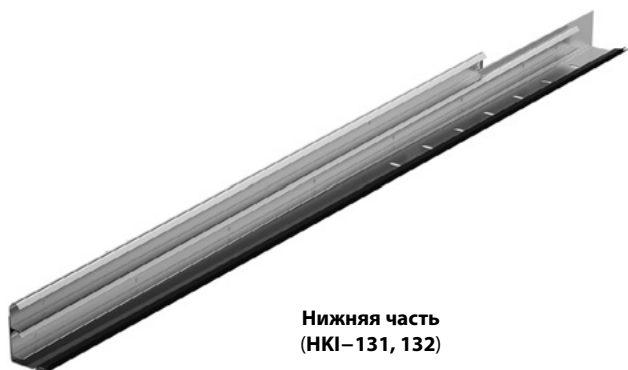
Артикул	Примечание (система подвеса)	Применение
НКI-129	GSH-32	Левая
НКI-130		Правая
НКI-131	GSH-33	Левая, нижняя часть
НКI-132		Правая, нижняя часть
НКI-133		Левая, верхняя часть
НКI-134		Правая, верхняя часть



**Низкий тип монтажа  
с передним расположением вала (тип 2)**



**Угловая стойка, состоящая из цельного профиля  
(НКI-129, 130)**



**Нижняя часть  
(НКI-131, 132)**



**Верхняя часть  
(НКI-133, 134)**

**Угловая стойка, состоящая из двух отдельных частей**

## СИСТЕМА НАПРАВЛЯЮЩИХ

**Нацельник**

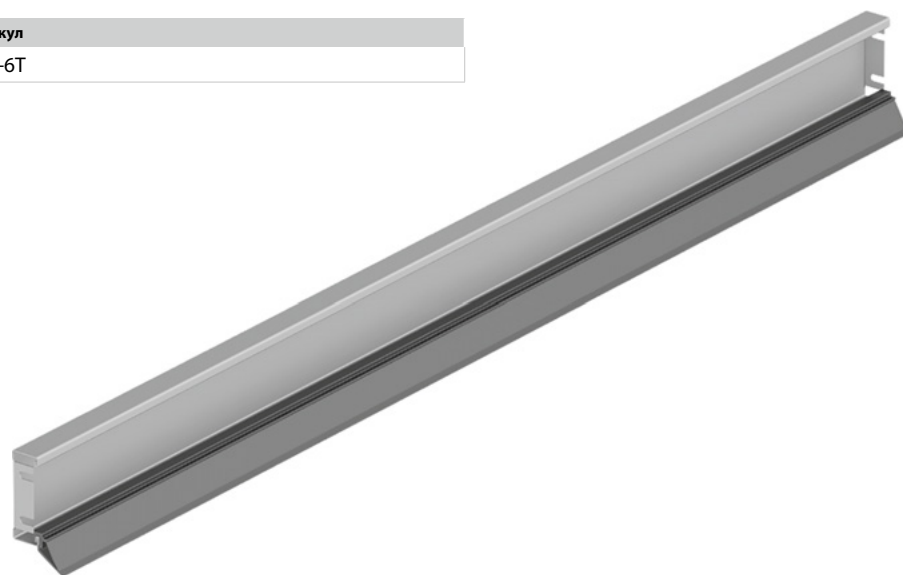
Тип ворот:

- гаражные ворота Trend с пружинами растяжения;
- гаражные ворота Trend низкого и стандартного типов монтажа.

Состав: профиль передний, вставка уплотнительная.

Единица измерения ..... шт.

Артикул
НKG-6T

**Нацельник**

Тип ворот: промышленные ворота серии ProTrend низкого, низкого с передним расположением вала, низкого с передним расположением вала (тип 2) и наклонного низкого типов монтажа.

Состав: профиль передний, вставка уплотнительная.

Единица измерения ..... шт.

Артикул
НКI-120



1.1

1.2

1.3

1.4

1.5

2

3

4

## СИСТЕМА НАПРАВЛЯЮЩИХ

### Направляющая горизонтальная

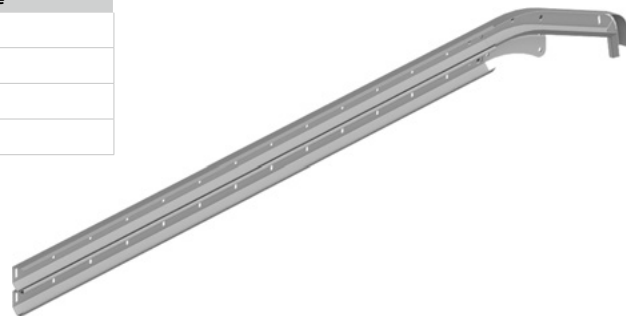
Тип ворот:

- гаражные ворота Trend с пружинами растяжения;
- гаражные ворота Trend стандартного типа монтажа.

Состав: профиль направляющий горизонтальный, узел направляющий передний, соединительная пластина.

Единица измерения ..... шт.

Артикул	Примечание (система подвеса)	Применение
НКГ-7Т	Стандартный	Левая
НКГ-8Т		Правая
НКГ-16Т	Пружины растяжения	Левая
НКГ-17Т		Правая



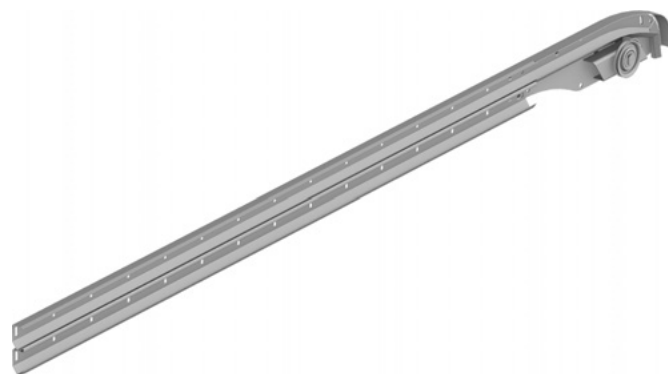
### Направляющая горизонтальная

Тип ворот: гаражные ворота Trend низкого типа монтажа.

Состав: профиль направляющий горизонтальный, узел направляющий передний, соединительная пластина.

Единица измерения ..... шт.

Артикул
НКЛ-12Т
НКЛ-13Т



## СИСТЕМА НАПРАВЛЯЮЩИХ

**Направляющая горизонтальная**

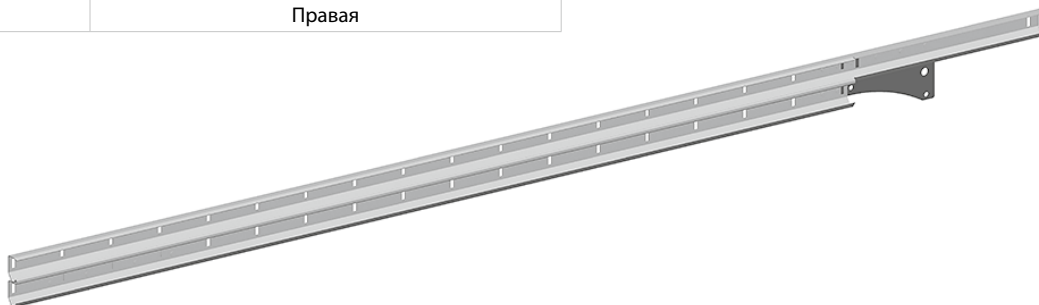
Тип ворот: гаражные ворота Trend с торсионными пружинами.

Тип монтажа: высокий с верхним расположением вала.

Состав: профиль направляющий горизонтальный, узел передний.

Единица измерения ..... шт.

Артикул	Применение
НKG-20T	Левая
НKG-21T	Правая



1.1

1.2

1.3

1.4

1.5

2

3

4

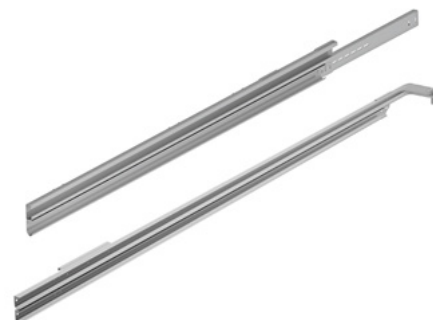
## СИСТЕМА НАПРАВЛЯЮЩИХ

### Направляющая горизонтальная

Тип ворот: промышленные ворота ProTrend всех типов монтажа, кроме вертикальных.

Состав: профиль направляющий горизонтальный, узел передний, соединительные пластины.

Единица измерения ..... шт.



Артикул	Тип монтажа	Применение (система подвеса)	Применение
HKI-12	Стандартный	GSH-4	Левая
HKI-13			Правая
HKI-18		GSH-5	Левая
HKI-19	Правая		
HKI-24	Высокий с верхним расположением вала	GSH-6	Левая
HKI-25			Правая
HKI-28		GSH-7	Левая
HKI-29			Правая
HKI-32		GSH-8	Левая
HKI-33			Правая
HKI-38	Высокий с нижним расположением вала	GSH-9	Левая
HKI-39			Правая
HKI-42		GSH-10	Левая
HKI-43	Правая		
HKI-64	Наклонный	GSH-19	Левая
HKI-65			Правая
HKI-70		GSH-20	Левая
HKI-71	Правая		
HKI-76	Наклонный высокий с верхним расположением вала	GSH-21	Левая
HKI-77			Правая
HKI-80		GSH-22	Левая
HKI-81			Правая
HKI-84		GSH-23	Левая
HKI-85	Правая		
HKI-90	Наклонный высокий с нижним расположением вала	GSH-24	Левая
HKI-91			Правая
HKI-94		GSH-25	Левая
HKI-95	Правая		
HKI-100	Низкий	GSH-17	Левая
HKI-101			Правая
HKI-102		GSH-18	Левая
HKI-103	Правая		
HKI-104	Наклонный низкий	GSH-27	Левая
HKI-105			Правая
HKI-106		GSH-28	Левая
HKI-107	Правая		
HKI-121	Низкий с передним расположением вала	GSH-30, GSH-31	Левая
HKI-122			Правая
HKI-135	Низкий с передним расположением вала (тип 2)	GSH-32, GSH-33	Левая
HKI-136			Правая

## СИСТЕМА НАПРАВЛЯЮЩИХ

## Система направляющих

Тип ворот:

- гаражные ворота Trend с пружинами растяжения;
- гаражные ворота Trend низкого, стандартного и высокого типа монтажа.

Состав: система горизонтальных и вертикальных направляющих (правая и левая), боковой уплотнитель, нащельник с уплотнителем, мерная планка.

Единица измерения ..... шт.

Артикул	Тип ворот	Тип монтажа
GSH-1T	Стандартный	Стандартный
GSH-2T	Низкий	Низкий
GSH-9T	Пружины растяжения	—
GSH-3T	Высокий	Высокий



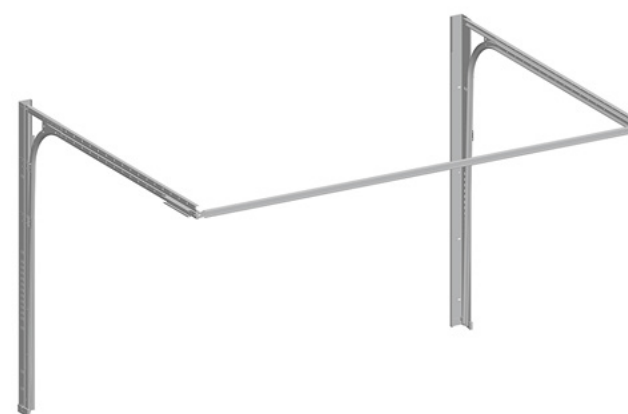
Стандартный монтаж



Низкий монтаж



Пружины растяжения



Высокий монтаж

1.1

1.2

1.3

1.4

1.5

2

3

4

## СИСТЕМА НАПРАВЛЯЮЩИХ

### Система направляющих

Тип ворот: промышленные ворота ProTrend стандартного и высокого типов монтажа.

Состав: система горизонтальных и вертикальных направляющих (правая и левая), боковой уплотнитель, мерная планка.

Единица измерения ..... шт.

Артикул	Тип монтажа
GSH-4	Стандартный
GSH-5	
GSH-6	Высокий с верхним расположением вала
GSH-7	
GSH-8	
GSH-9	Высокий с нижним расположением вала
GSH-10	



**Стандартный монтаж**



**Высокий монтаж  
с нижним расположением вала**



**Высокий монтаж  
с верхним расположением вала**



## СИСТЕМА НАПРАВЛЯЮЩИХ

**Система направляющих**

Тип ворот: промышленные ворота ProTrend низких типов монтажа.

Состав: система горизонтальных и вертикальных направляющих (правая и левая), боковой уплотнитель, мерная планка, кронштейн под установку шкива.

Единица измерения ..... шт.

Артикул	Тип монтажа
GSH-17	Низкий
GSH-18	
GSH-27	Наклонный низкий
GSH-28	



**Низкий монтаж**



**Наклонный низкий**

1.1

1.2

1.3

1.4

1.5

2

3

4

## СИСТЕМА НАПРАВЛЯЮЩИХ

### Система направляющих

Тип ворот: промышленные ворота ProTrend вертикальных типов монтажа.

Состав: система вертикальных направляющих (правая и левая), боковой уплотнитель, мерная планка.

Единица измерения ..... шт.

Артикул	Тип монтажа
GSH-12	Вертикальный с верхним расположением вала
GSH-13	
GSH-14	Вертикальный с нижним расположением вала
GSH-15	
GSH-16	



**Вертикальный монтаж  
с верхним расположением вала**



**Вертикальный монтаж  
с нижним расположением вала**

## СИСТЕМА НАПРАВЛЯЮЩИХ

**Система направляющих**

Тип ворот: промышленные ворота ProTrend наклонных типов монтажа.

Состав: система вертикальных и горизонтальных направляющих (правая и левая), боковой уплотнитель, мерная планка.

Единица измерения ..... шт.

Артикул	Тип монтажа
GSH-19	Наклонный
GSH-20	
GSH-21	Наклонный высокий с верхним расположением вала
GSH-22	
GSH-23	
GSH-24	Наклонный высокий с нижним расположением вала
GSH-25	



**Наклонный высокий монтаж  
с нижним расположением вала**



**Наклонный высокий монтаж  
с верхним расположением вала**



**Наклонный**

1.1

1.2

1.3

1.4

1.5

2

3

4

## СИСТЕМА НАПРАВЛЯЮЩИХ

### Система направляющих

Тип ворот: промышленные ворота ProTrend низких типов монтажа с передним расположением вала.

Состав: система вертикальных и горизонтальных направляющих (правая и левая), боковой уплотнитель, мерная планка.

Единица измерения ..... шт.

Артикул	Тип монтажа
GSH-30	Низкий монтаж с передним расположением вала
GSH-31	
GSH-32	Низкий монтаж с передним расположением вала (тип 2)
GSH-33	



**Низкий монтаж  
с передним расположением вала (тип 2)**





ООО «Алютех Воротные Системы»



СООО «Алюмин Техно»



ООО «Алютех Инкорпорейтед»

Группа компаний «АЛЮТЕХ» — производственно-сбытовой холдинг, выпускающий широкий ассортимент решений для современной архитектуры и строительства. В составе Группы — 5 производственных предприятий, а также более 20 сбытовых компаний в России, Беларуси, Украине, Германии, Чехии и др. странах. Три крупнейшие производственные площадки холдинга находятся в Минске:

- ООО «Алютех Инкорпорейтед», выпускающее и поставляющее профили, комплектующие и системы управления для роллет.
- ООО «Алютех Воротные Системы», специализирующееся на выпуске секционных ворот, сэндвич-панелей и комплектующих, а также изделий из алюминиевых сплавов методом литья под давлением.
- СООО «АлюминТехно» — крупнейшее в СНГ предприятие по производству, порошковой окраске и анодированию алюминиевых профилей.

Собственное производство ГК «АЛЮТЕХ» включает: мощный литейный цех, высокотехнологичные прессовые линии, линии горизонтальной и вертикальной порошковой окраски, крупнейший в СНГ комплекс по анодированию алюминиевых профилей, автоматизированные роллформинговые линии, линии по производству сэндвич-панелей и воротного полотна, ультрасовременный комплекс по покраске и раскрою алюминиевой и стальной ленты, автоматизированные комплексы литья под давлением, а также склады хранения и сортировки продукции.

Производство полного цикла, наличие собственного инженерно-технического центра, а также лабораторий и испытательных участков позволяет «АЛЮТЕХ» контролировать качество продукции на всех этапах производственного процесса: от разработки проекта, закупки сырьевых материалов до выпуска готовой продукции и ее тестирования на соответствие заявленным эксплуатационным характеристикам.

Качество и долговечность изделий «АЛЮТЕХ» соответствуют строгим национальным и международным стандартам. Система менеджмента на всех предприятиях Группы сертифицирована на соответствие требованиям международных стандартов ISO 9001 и ISO 14001.

Сегодня изделия бренда поставляются в более чем 65 стран СНГ, Европы, Азии, Африки, Северной Америки, а также Австралию. За годы работы на международном рынке «АЛЮТЕХ» стал технологическим лидером в своей отрасли — продукцию оценили миллионы клиентов по всему миру.